

# **Dell PowerConnect W-650 Controller Installation Guide**



## **Copyright**

© 2010 Aruba Networks, Inc. AirWave®, Aruba Networks®, Aruba Mobility Management System®, and other registered marks are trademarks of Aruba Networks, Inc. Dell™, the DELL™ logo, and PowerConnect™ are trademarks of Dell Inc.

All rights reserved. Specifications in this manual are subject to change without notice.

Originated in the USA. Any other trademarks appearing in this manual are the property of their respective companies.

## **Open Source Code**

Certain Aruba products include Open Source software code developed by third parties, including software code subject to the GNU General Public License (GPL), GNU Lesser General Public License (LGPL), or other Open Source Licenses. The Open Source code used can be found at this site:

[http://www.arubanetworks.com/open\\_source](http://www.arubanetworks.com/open_source)

## **Legal Notice**

The use of Aruba Networks, Inc. switching platforms and software, by all individuals or corporations, to terminate other vendors' VPN client devices constitutes complete acceptance of liability by that individual or corporation for this action and indemnifies, in full, Aruba Networks, Inc. from any and all legal actions that might be taken against it with respect to infringement of copyright on behalf of those vendors.

# Contents

Preface.....	5
General Overview.....	5
Related Documentation.....	5
Contacting Dell .....	5
Chapter 1	About the W-650 Series Controller.....7
	Minimum Software Requirements.....7
	Package Checklist.....7
	Hardware Model Overview.....8
	Front View.....8
	1000Base-X (SFP) Ports.....8
	10/100/1000Base-T Gigabit Ethernet Ports.....8
	Serial Console Port.....8
	Serial Console Port Adaptor.....9
	USB Ports.....9
	Media Eject Button.....10
	Rear View.....10
	AC Power Socket.....10
	ExpressCard Slot.....11
	Antennae Interfaces (W-651 Only).....11
	LED Status Indicators.....11
Chapter 2	W-650 Series Installation.....13
	Pre-Installation Requirements.....13
	For a Telecom Rack:.....13
	For a Server Rack:.....13
	Installation in a Telecom Rack.....13
	Installation in a Server Rack.....15
	Tabletop Deployment.....16
	Initial Setup and Network Connectivity.....16
	Removal.....16
Appendix A	Specifications, Safety, and Compliance.....17
	Physical Specifications.....17
	Power Specifications.....17
	Operating Specifications.....17
	Storage Specifications.....17
	Wireless Radio Specifications (W-651 Internal AP).....17
	AP type.....17
	Operating Frequency.....17
	Available Channels.....17
	Modulations.....17
	Transmit Power.....18
	Association Rates (Mbps).....18
	802.11n High-Throughput (HT) Support.....18
	802.11n Packet Aggregation.....18

Antenna (W-651 Internal AP) .....	18
Safety and Regulatory Compliance .....	18
FCC Class B Device .....	18
RF Radiation Exposure Statement .....	19
W-650.....	19
W-651.....	19
NOM Information (Mexico Only).....	20
Proper Disposal of Dell Equipment.....	20
European Union RoHS .....	20

This preface includes the following information:

- An overview of the contents of this manual
- A list of related documentation for further reading
- Support and service information

## General Overview

- Chapter 1, “About the W-650 Series Controller” on page 7 provides a detailed hardware overview of the W-650 Series.
- Chapter 2, “W-650 Series Installation” on page 13 provides rack mounting and installation instructions.
- Appendix A, “Specifications, Safety, and Compliance” on page 17 includes product technical specifications, safety, and regulatory compliance information.

## Related Documentation

The following documentation are referred to in this guide and are considered components of the complete documentation set needed for a successful installation and management of a Dell Mobility Controller.

- *Dell PowerConnect ArubaOS 5.0 Quick Start Guide*
- *Dell PowerConnect ArubaOS 5.0 User Guide*
- *Dell PowerConnect ArubaOS 5.0 Command Line Reference*

## Contacting Dell

Web Site Support	
Main Site	<a href="http://www.dell.com">www.dell.com</a>
Support Site	<a href="http://support.dell.com">support.dell.com</a>
Documentation	<a href="http://support.dell.com/manuals">support.dell.com/manuals</a>
Software	<a href="https://download.dell-pcw.com">https://download.dell-pcw.com</a>



The Dell PowerConnect W-650 Series controller is an enterprise-class, wireless LAN controller. This controller connects, controls, and integrates wireless Access Points (APs) and Air Montitors (AMs) into a wired LAN system.

- The W-650 is capable of supporting up to 16 external, campus APs.
- The W-651 is capable of supporting up to 16 external, campus APs in addition to its single, internal AP.

## Minimum Software Requirements

The W-650 Series controller requires ArubaOS 5.0.2 or later.



---

**Note:** The master controller, its redundant master controller, and all of its local controllers must run on the same code of ArubaOS. Once you upgrade your network and install a W-650 Series Mobility Controller into your network, verify that the software version on your controller matches the rest of your network.

---

## Package Checklist

- W-650 Series Mobility Controller
- AC Power Cord (country-specific)
- Rack Mount Brackets
- Rack Mounting Hardware for Server and Telecom Rack Systems
- Left Side Bezel (not installed)
- Right Side Bezel (not installed)
- Rubber Feet (for table top deployments)
- Flat Serial Cable (RJ-45)
- Serial Cable Port Adapter (RJ-45 to DB9)
- Dual-band, High-gain, Omni-directional Detachable Antennae (3x)
- *Dell PowerConnect ArubaOS Quick Start Guide*
- *End User License Agreement (EULA)*
- *Safety, Environmental, and Regulatory Information (SERI)* document
- *Warranty and Support Information (WSI)* document



---

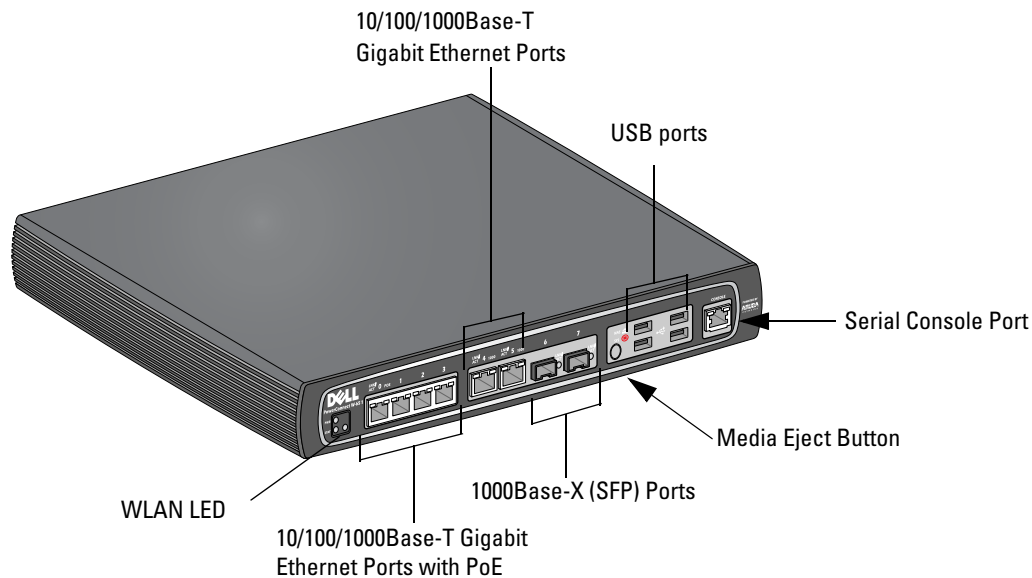
**Note:** Inform your supplier if there are any incorrect, missing, or damaged parts. If possible, retain the carton, including the original packing materials. Use these materials to repack and return the unit to the supplier if needed.

---

# Hardware Model Overview

## Front View

**Figure 1** W-650 Series Front View



### 1000Base-X (SFP) Ports

There are two 1000Base-X ports for fiber connectivity only and are intended for use with Dell W-Series SFPs (mini-GBICs).

To purchase compatible SFP modules, contact your Dell sales representative for details and assistance.



**Note:** Dell tests and supports Dell optics within their controller system. Third party optics are not tested or supported; therefore, Dell does not guarantee proper functionality of third party optics when used in a Dell system.

### 10/100/1000Base-T Gigabit Ethernet Ports

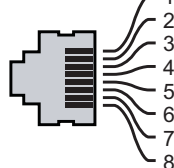
There are six 10/100/1000Base-T Gigabit Ethernet (RJ-45) ports on the W-650 Series. Gigabit Ethernet uses all eight wires and each pair is used in a bi-directional fashion, meaning the same pairs are used for both data transmission and reception. Figure 2 illustrates the CAT-5 pin-out found on an RJ-45 connector. The CAT-5 pin-out pairs the following pins on a 10/100/1000Base-T Gigabit Ethernet port: 1/2, 3/6, 4/5, and 7/8.

**Figure 2** Gigabit Ethernet Port Pin-Out

1000Base-T Gigabit Ethernet Port



RJ-45 Female Pin-Out



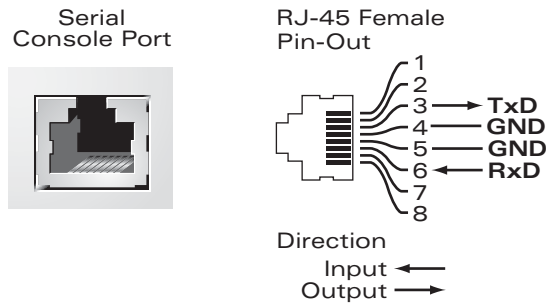
Signal Name	Function
1	BI_DA+
2	BI_DA-
3	BI_DB+
4	BI_DC+
5	BI_DC-
6	BI_DB-
7	BI_DD+
8	BI_DD-

### Serial Console Port

A serial console port is provided for connection to a terminal, allowing for direct local management.



**Figure 3** Serial Console Port Pin-Out



Communication settings for the serial port are indicated in [Table 1](#).

**Table 1** Console Terminal Settings

Baud Rate	Data Bits	Parity	Stop Bits	Flow Control
9600	8	None	1	None

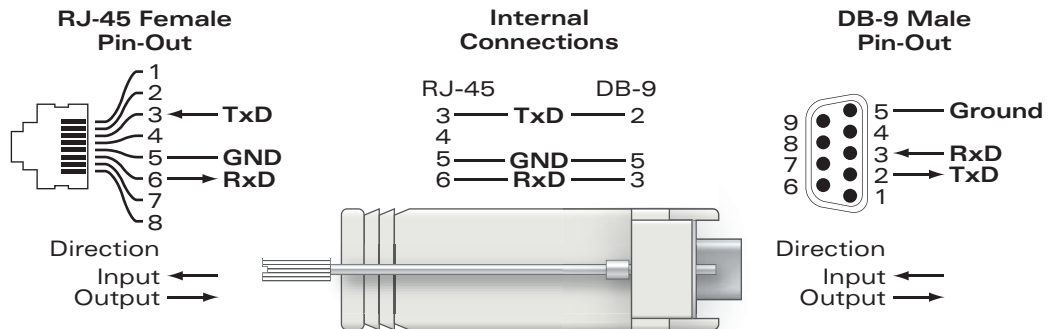


**Caution:** Do not connect an AP to the serial console port. The serial console port is compatible only with RS-232 devices. Non-RS-232 devices, such as APs, are not supported.

### Serial Console Port Adaptor

A modular adaptor can be used to convert the RJ-45 (female) connector to a DB9 (male) connector. Refer to [Figure 4](#) for complete details.

**Figure 4** RJ-45 (female) to DB9 (male) Modular Adaptor Conversion



### USB Ports

The W-650 Series has four USB 2.0 interfaces. These interfaces allow the use of EVDO/HSPDA modem, flash or disk storage devices, or a printer. For more information about configuring and using USB devices with the W-650 Series, see the *ArubaOS User Guide*.

## Media Eject Button

The W-650 Series is equipped with a media eject button, which allows users to eject storage devices safely and place the system in standby. When the button is pushed, the all storage media devices attached to the controller via USB is unmounted. Printers and EVDO devices are unaffected.

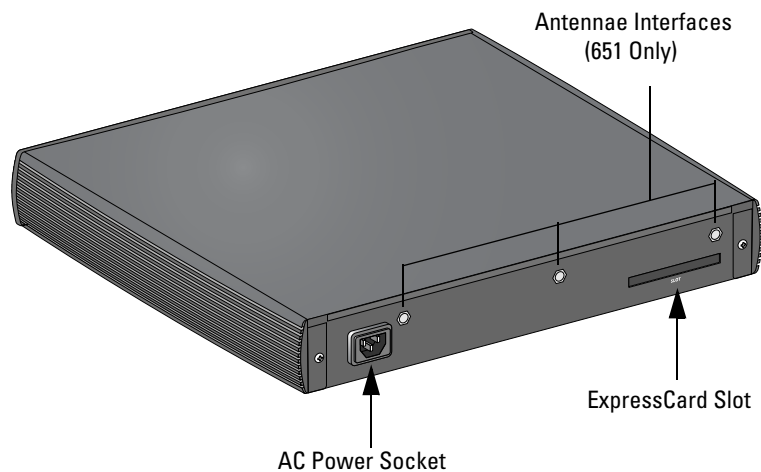
Pushing the media eject button changes the state of the W-650 Series; the table below describes the states and LED behaviors associated with use of the media eject button.

**Table 2** Media Eject Button LED Behavior

Initial State	LED State	Action	Status LED	Function	LED Action Completed
NAS Media Operational	Green-solid	Press and hold media eject button for 1 to 5 seconds only	Amber-flashing	Un-mount all NAS media	Amber-solid
NAS Media Unmounted	Amber-solid	Press and hold media eject button for 1 to 5 seconds only	Amber-flashing	Mount all attached NAS device, and return to fully functional operation	Green-solid
Operational	Green-solid	Press and hold media eject button for more than 5 seconds only	Red-flashing	Controller goes into Standby	Red-solid
Operating with NAS Media un-mounted	Amber-solid	Press and hold media eject button for more than 5 seconds only	Red-flashing	Controller goes into Standby	Red-solid
Standby	Red-solid	Press media eject button	Amber-flashing	Controller wake-up	Green-solid

## Rear View

**Figure 5** W-650 Series Rear View (651 Shown)



## AC Power Socket

The W-650 Series supports integrated AC powering and the AC power socket on the rear of the unit is for use with an AC power cord (country-specific). Refer to [“Power Specifications” on page 17](#) for power specification details.

## ExpressCard Slot

The W-650 Series is equipped with one ExpressCard slot, which can be used with an EVDO device.

## Antennae Interfaces (W-651 Only)

The W-651 is equipped with an internal Access Point (AP). This AP can operate in 2.4 GHz and 5 GHz bands, in a/b/g or n modes. Each appliance has three RP-SMA interfaces to attach the antennas included in this kit.

## LED Status Indicators

**Table 3** W-650 Series LED Status Indicators

LED	Label	Function	Indicator	Status
Power	POWER	Input Power Status Indicator	On (Solid Green)	Power on
			Off	No Power
Status	STATUS	Module Status Indicator	On (Solid Green)	Device is operational
			On (Solid Red)	Device failed or is in Standby
			On (Solid Amber)	Device is loading software
			Off	No power
1000Base-X Ports (SFP)	LNK/ACT	Link Status Indicator	On (Solid Green)	Link has been established
			On (Flashing Green)	Port is transmitting or receiving data
			Off	No link on port
10/100/1000Base-T Ports	LNK/ACT	Link/Activity Status Indicator	On (Solid Green)	Link has been established
			On (Flashing Green)	Port is transmitting or receiving data
			Off	No link on port
	1000	Interface Speed	On (Solid Green)	1000 Mbps
			Off	10/100 Mbps
10/100/1000Base-T Ports with PoE	LINK/ACT	Link/Activity Status Indicator	On (Solid Green)	Link has been established
			On (Flashing Green)	Port is transmitting or receiving data
			Off	No link on port
	PoE	PoE Status Indicator	On (Solid Green)	PoE is being provided
			On (Solid Amber)	The attached device has requested PoE, but PoE is not being provided by the port
			Off	PoE is not being provided
802.11 a/b/g/n AP (W-651 Only)	WLAN	AP Status	On (Solid Amber)	Radio enabled in WLAN mode
			On (Solid Green)	Radio enabled in 802.11n mode
			On (Flashing Green)	Air monitor mode
			Off	Radio is disabled



## Pre-Installation Requirements

The following tools and equipment are required for installation of a W-650 Series controller.

- Rack Mount Bracket (x2, not used for tabletop installation)
- Suitable Screwdrivers
- AC Power Cord (country-specific)
- Left and right side bezels (not used for rack mounting)



---

**Warning:** Before performing the following procedure, review the safety instructions that came with the controller.

---

### For a Telecom Rack:

- M3, 6mm x 0.5mm Phillips Head Screws (6x, included)
- 12-24 x 5/8" Phillips Head Screws (4x, included)

### For a Server Rack:

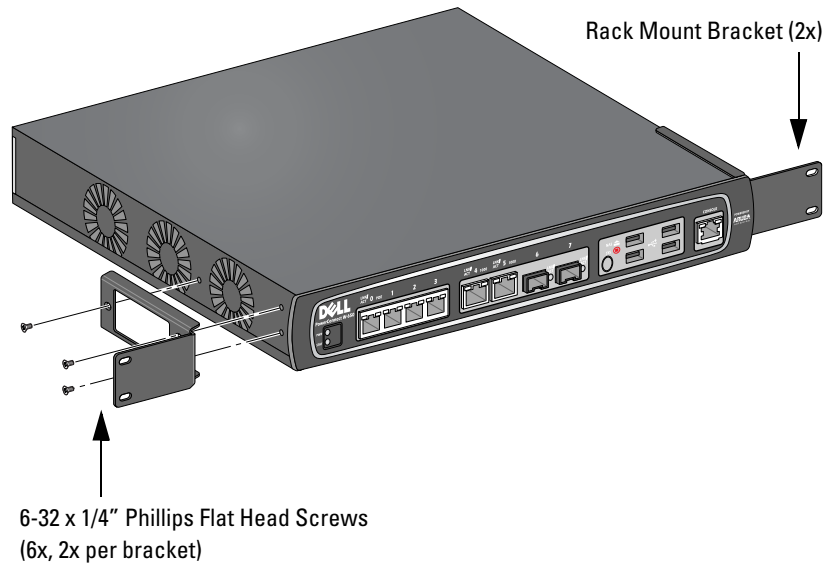
- M3, 6mm x 0.5mm Phillips Head Screws (6x, included)
- M6 x 20mm Phillips Head Screws (4x, included)
- M6 Cage Nuts (4x, included) or M6 Cage Clips (4x, included)

## Installation in a Telecom Rack

To install a W-650 Series controller into a 19-inch (48.26 cm) Telecom rack system:

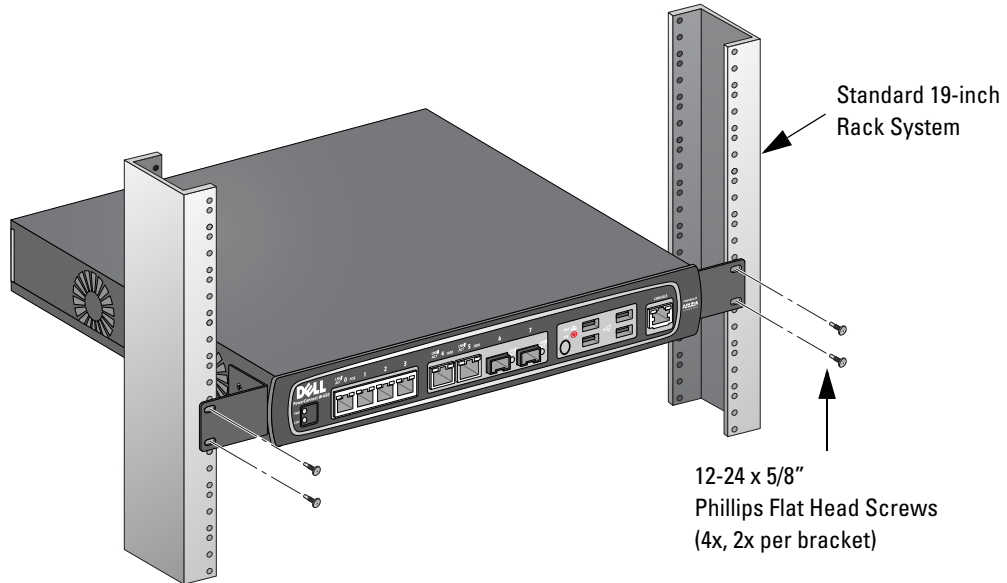
1. Place a rack mount bracket over the mounting holes on one side of the controller (see [Figure 6](#)).
2. Secure the bracket to the controller using three M3, 6mm x 0.5mm phillips head screws and a screwdriver.
3. Repeat these steps on the opposite side of the controller.

**Figure 6** Rack Mount Brackets



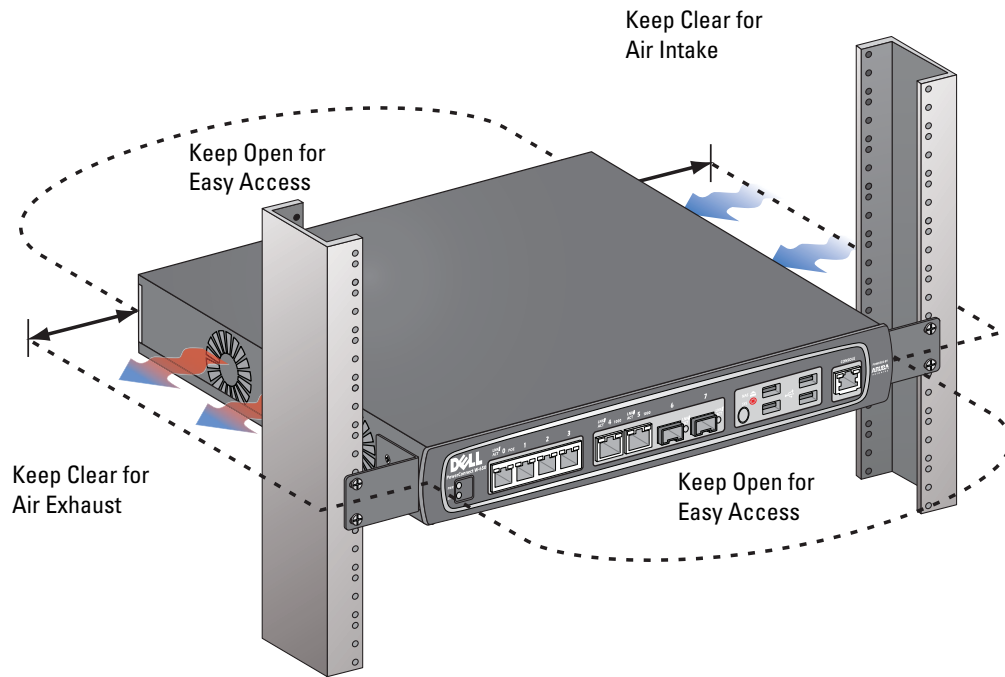
4. Mount the controller within your organization's rack system using four 12-24 x 5/8" phillips head screws and suitable screwdriver (see [Figure 7](#)).

**Figure 7** Rack Mount Installation



5. Leave a minimum of four inches (10cm) of space on the left and right side of the unit for proper air flow and ventilation (see [Figure 8](#)).
6. Leave additional space in front and back of the unit to access power cords, network cables, and LED status indicators (see [Figure 8](#)).

**Figure 8** Air Flow Requirements



7. Connect the AC power cord (country-specific) to the rear of the unit.
8. Plug the opposite end of the power cord into an electrical outlet to power the controller.



**Note:** W-650 Series controller does not have a switch for turning power to the unit on or off. Power to the unit is controlled by connecting or disconnecting the plug on the power cord to or from an electrical outlet.

## Installation in a Server Rack

To install a W-650 Series controller into a 19-inch (48.26 cm) Server rack system:



**Note:** The following instructions describe the installation of your controller in a rack with unthreaded, square holes. For a rack with unthreaded, round holes, use the provided clip nuts instead.

1. Place a rack mount bracket over the mounting holes on one side of the controller (see [Figure 6](#)).
2. Secure the bracket to the controller using three M3, 6mm x 0.5mm phillips head screws and a suitable screwdriver.
3. Repeat these steps on the opposite side of the controller.
4. Install the four cage nuts.
  - To install the cage nut with a cage-nut installation tool:*
    - a. Begin by inserting the lower lip of the cage nut over the bottom of the square opening in the back of the rail.
    - b. Insert the small end of the cage-nut installation tool through the opening in the rail (from the front), and hook the tool over the top lip of the cage nut.
    - c. Push the cage nut in towards the rail while rotating the tool up and pulling the tool back toward you until the top lip of the cage nut snaps into position.

*To install the cage nut with a flathead screwdriver:*

- a. Begin by inserting the lower lip of the cage nut over the bottom of the square opening in the back of the rail.
  - b. Compress the top lip of the cage nut with a flathead screwdriver.
  - c. With the lip compressed, push the cage nut's lip fully into the opening in the rail.
  - d. Release the screwdriver pressure on the cage nut to lock it into place.
5. Mount the controller within your organization's rack system using four M6 x 20mm phillips head screws and suitable screwdriver.
  6. Leave a minimum of four inches (10cm) of space on the left and right side of the unit for proper air flow and ventilation (see [Figure 8](#)).
  7. Leave additional space in front and back of the unit to access power cords, network cables, and LED status indicators (see [Figure 8](#)).
  8. Connect the AC power cord (country-specific) to the rear of the unit.
  9. Plug the opposite end of the power cord into an electrical outlet to power the controller.



---

**Note:** W-650 Series controller does not have a switch for turning power to the unit on or off. Power to the unit is controlled by connecting or disconnecting the plug on the power cord to or from an electrical outlet.

---

## Tabletop Deployment

To deploy a W-650 Series controller on a flat surface, such as a tabletop:

1. Insert the four rubber mounting feet to the bottom of the unit.
2. Attach side bezels by snapping them into place.
3. Place the unit on a hard flat surface.

## Initial Setup and Network Connectivity

Once the physical installation is complete, run the initial setup on the controller to configure the IP address and other basic system information. For complete details and instructions, refer to the *ArubaOS Quick Start Guide*.

## Removal

To remove a W-650 Series controller from a 19-inch (48.26 cm) rack system:

1. Disconnect the power to the controller by unplugging the power cord from the electrical outlet.
2. Disconnect any other cables or devices attached to the controller.
3. Loosen the four rack mount screws securing the controller to your organization's rack system.
4. Remove the controller from the rack system.



### Physical Specifications

Device Dimensions (without rack mount brackets)

- Height 1.5" (38 mm)
- Width 13.6" (346 mm)
- Depth 8.9" (226 mm)

### Power Specifications

- AC Input Voltage: 100-240 V, Universal Input
- AC Input Frequency: 50-60 Hz
- Maximum power consumption: 126 Watts
- Power over Ethernet total capacity: 78 Watts
- Power over Ethernet capacity per port: 19.5 Watts

### Operating Specifications

- Operating Temperature Range: 0°C to 40°C (32°F to 104°F)
- Operating Humidity Range: 5% to 95% (RH), non-condensing

### Storage Specifications

- Storage Temperature Range: 0°C to 50°C (32°F to 122°F)
- Storage Humidity Range: 5% to 95% (RH), non-condensing

### Wireless Radio Specifications (W-651 Internal AP)

#### AP type

- Single Radio, 3x3 Multiple-In, Multiple-Out (MIMO) providing data rate up to 300 Mbps

#### Operating Frequency

- 2.4-2.5 GHz or 5.150–5.950 GHz

#### Available Channels

- Mobility Controller-managed, dependent upon configured regulatory domain

#### Modulations

- 802.11b: Direct-Sequence Spread-Spectrum (DSSS)
- 802.11a/g: Orthogonal Frequency Division Multiplexing (OFDM)
- 802.11n: 802.11n draft 2.0

## Transmit Power

- Configurable in increments of 0.5 dBm

## Association Rates (Mbps)

- 802.11b: 11, 5.5, 2, 1 with automatic fallback
- 802.11a/g: 54, 48, 36, 24, 18, 12, 9, 6 with automatic fallback
- 802.11n: MCS0 - MCS15 (6.5Mbps - 300Mbps)

## 802.11n High-Throughput (HT) Support

- HT 20
- HT 40

## 802.11n Packet Aggregation

- A-MPDU
- A-MSDU

## Antenna (W-651 Internal AP)

- Three RP-SMA interfaces for external antenna support (supports up to 3x3 MIMO with spatial diversity)
- Three AP-ANT-1B omni-directional dual-band antennas included

## Safety and Regulatory Compliance

Dell provides a multi-language document containing country specific restrictions and additional safety and regulatory information for all Dell hardware products. The *Dell PowerConnect W-Series Safety, Environmental, and Regulatory Information* document is included with this product.



---

**Caution:** Use of controls or adjustments of performance or procedures other than those specified in this manual may result in hazardous radiation exposure.

---

This product complies with 21 CFR Chapter 1, Subchapter J, Part 1040.10, and IEC 60825-1: 1993, A1: 1997, A2: 2001, IEC 60825-2: 2000.

For continued compliance with the above laser safety standards, only approved Class 1 modules from our approved vendors should be installed in Dell products.

## FCC Class B Device

This equipment has been tested and found to comply with the limits for a Class B digital device, pursuant to part 15 of the FCC Rules. These limits are designed to provide reasonable protection against harmful interference in a residential installation. This equipment generates, uses and can radiate radio frequency energy and, if not installed and used in accordance with the instructions, may cause harmful interference to radio communications. However, there is no guarantee that interference will not occur in a particular installation. If this equipment does

cause harmful interference to radio or television reception, which can be determined by turning the equipment off and on, the user is encouraged to try to correct the interference by one or more of the following measures:

- Reorient or relocate the receiving antenna.
- Increase the separation between the equipment and receiver.
- Connect the equipment into an outlet on a circuit different from that to which the receiver is connected.
- Consult the dealer or an experienced radio/ TV technician for help (we can modify this to advise to seek help of the professional installer).

For a complete list of Country Specific Regulations please speak with your Dell Representative .

### **RF Radiation Exposure Statement**

This equipment complies with FCC RF radiation exposure limits. This equipment should be installed and operated with a minimum distance of 13.78 inches (35 cm) between the radiator and your body for 2.4 GHz and 5 GHz operations. This transmitter must not be co-located or operating in conjunction with any other antenna or transmitter. When operated in the 5.15 to 5.25 GHz frequency range, this device is restricted to indoor use to reduce the potential for harmful interference with co-channel Mobile Satellite Systems.

#### **W-650**

- EN 55022 Class B
- EN 55024
- IEC/EN 60950
- CE Marking
- cTUVus Marked
- CB Scheme Certified

#### **W-651**

- FCC 15.247/15.407
- EU R&TTE Directive 1999/5/EC (EN 300 328, EN 301 893, EN 301 489)
- EU LV Directive 2006/95/EC
- IEC/EN 60950
- CE Marking
- cTUVus Marked
- CB Scheme Certified

For a complete list of Country Specific Regulations please speak with your Dell Representative.

## NOM Information (Mexico Only)

The following information is provided on the device described in this document in compliance with the requirements of the official Mexican standards (NOM):

Importer: Dell Inc. de Mexico, S.A. de C.V.  
Paseo de la Reforma 2620-11° Piso  
Col. Lomas Atlas  
11950 Mexico, D.F.

Model Number: 650/651

- Supply Voltage: 100-240 V AC
- Frequency: 47-63 Hz
- Current consumption: 2.0 A

## Proper Disposal of Dell Equipment

For the most current information on Global Environmental Compliance and Dell products please refer to the *Dell PowerConnect W-Series Safety, Environmental, and Regulatory Information* document is included with this product or see our website at [www.dell.com](http://www.dell.com).

## European Union RoHS



Dell products also comply with the EU Restriction of Hazardous Substances Directive 2002/95/EC (RoHS). EU RoHS restricts the use of specific hazardous materials in the manufacture of electrical and electronic equipment. Specifically, restricted materials under the RoHS Directive are Lead (including Solder used in printed circuit assemblies), Cadmium, Mercury, Hexavalent Chromium, and Bromine. Some Dell products are subject to the exemptions listed in RoHS Directive Annex 7 (Lead in solder used in printed circuit assemblies). Products and packaging will be marked with the “RoHS” label shown at the left indicating conformance to this Directive.

# **Dell PowerConnect W-650 Controller Installationsanleitung**



## **Copyright**

© 2010 Aruba Networks, Inc. AirWave®, Aruba Networks®, Aruba Mobility Management System®, und andere eingetragene Marken sind Marken von Aruba Networks, Inc. Dell™, das DELL™-Logo und PowerConnect™ sind Marken von Dell Inc.

Alle Rechte vorbehalten. Spezifikationen in diesem Handbuch können ohne Ankündigung geändert werden.

Hergestellt in den USA. Alle anderen Marken, die in diesem Handbuch erwähnt werden, sind das Eigentum der jeweiligen Unternehmen.

## **Open Source Code**

Bestimmte Aruba-Produkte enthalten Open Source-Softwarecode, der von Drittanbietern entwickelt wurde, darunter Softwarecode gemäß GNU General Public License (GPL), GNU Lesser General Public License (LGPL) oder anderen Open Source-Lizenzen.

Den Open Source Code finden Sie auf dieser Website:

[http://www.arubanetworks.com/open\\_source](http://www.arubanetworks.com/open_source)

## **Rechtliche Hinweise**

Die Verwendung von Switching-Plattformen und Software von Aruba Networks, Inc. durch Einzelpersonen oder Unternehmen zur Terminierung von VPN-Client-Geräten anderer Hersteller stellt die vollständige Anerkennung der Haftbarkeit dieser Einzelpersonen oder dieses Unternehmens für diese Aktion dar und enthebt Aruba Networks, Inc. zur Gänze aller rechtlichen Maßnahmen, die bezüglich der Verletzung des Urheberrechts im Namen dieser Hersteller ergriffen werden.

# Inhalt

<b>Vorwort</b> .....	<b>5</b>
Allgemeine Übersicht .....	5
Verwandte Dokumentation .....	5
Kontaktaufnahme mit Dell .....	5
<b>Kapitel 1</b> <b>Der W-650 Serie Controller</b> .....	<b>7</b>
Mindestvoraussetzungen für die Software .....	7
Checkliste .....	7
Hardwaremodellübersicht .....	8
Vorderansicht .....	8
1000Base-X (SFP)-Ports .....	8
10/100/1000Base-T-Gigabit-Ethernet-Ports .....	8
Serielle Konsolenschnittstelle .....	9
Adapter für die serielle Konsolenschnittstelle .....	9
USB-Anschlüsse .....	9
Auswurfaste für Medien .....	10
Rückansicht .....	10
Netzstromanschluss .....	11
ExpressCard-Steckplatz .....	11
Antennenschnittstellen (nur W-651) .....	11
LED-Statusanzeigen .....	11
<b>Kapitel 2</b> <b>W-650 Serie - Installation</b> .....	<b>13</b>
Anforderungen vor der Installation .....	13
Bei Verwendung eines Telecom-Racks: .....	13
Bei Verwendung eines Server-Racks: .....	13
Installation in einem Telecom-Rack .....	13
Installation in einem Server-Rack .....	15
Aufstellung .....	16
Erstmalige Einrichtung und Netzwerkkonnektivität .....	16
Ausbau .....	16
<b>Anhang A</b> <b>Spezifikationen, Sicherheit und Konformität</b> .....	<b>17</b>
Physische Spezifikationen .....	17
Energiespezifikationen .....	17
Betriebsspezifikationen .....	17
Lagerungsspezifikationen .....	17
Wireless-Funkspezifikationen (W-651 Interner AP) .....	17
AP-Typ .....	17
Betriebsfrequenz .....	17
Verfügbare Kanäle .....	17
Modulation .....	17
Übertragungsleistung .....	18
Übertragungsraten (Mbit/s) .....	18
802.11n Unterstützung von High-Throughput (HT) .....	18
802.11n Paketaggregation .....	18

Antenne (W-651 Interner AP) .....	18
Sicherheits- und Zulassungsbestimmungen .....	18
FCC Class B-Gerät .....	19
Erklärung zur Abgabe von Funkstrahlung .....	19
W-650.....	19
W-651.....	19
NOM-Informationen (nur Mexiko) .....	20
Ordnungsgemäße Entsorgung von Dell-Geräten .....	20
RoHS-Richtlinie der Europäischen Union .....	20



Dieses Vorwort enthält die folgenden Informationen:

- Überblick über den Inhalt des vorliegenden Handbuchs
- Liste verwandter Dokumentationen
- Hinweise zu Support und Service

## Allgemeine Übersicht

- [Kapitel 1, „Der W-650 Serie Controller“ auf Seite 7](#) enthält einen ausführlichen Überblick über die Hardware des W-650 Serie
- [Kapitel 2, „W-650 Serie - Installation“ auf Seite 13](#) bietet Informationen zur Rack-Montage und Installation
- [Anhang A, „Spezifikationen, Sicherheit und Konformität“ auf Seite 17](#) enthält technische Daten und Informationen zur Sicherheit und Richtlinienkonformität

## Verwandte Dokumentation

Die folgenden Handbücher und Anleitungen werden im vorliegenden Handbuch als Referenz angegeben und gelten als Bestandteile der vollständigen Dokumentation, die für die erfolgreiche Bereitstellung und Verwaltung eines Dell Mobility Controllers erforderlich ist.

- *Dell PowerConnect ArubaOS 5.0 Quick Start Guide*
- *Dell PowerConnect ArubaOS 5.0 User Guide*
- *Dell PowerConnect ArubaOS 5.0 Command Line Reference*

## Kontaktaufnahme mit Dell

Website-Support	
Hauptsite	<a href="http://www.dell.com">www.dell.com</a>
Support-Site	<a href="http://support.dell.com">support.dell.com</a>
Dokumentation	<a href="http://support.dell.com/manuals">support.dell.com/manuals</a>
Software	<a href="https://download.dell-pcw.com">https://download.dell-pcw.com</a>



Der Dell PowerConnect W-650 Serie Controller ist ein Wireless-LAN-Controller der Enterprise-Klasse. Dieser Controller kann drahtlose Access Points (APs) und Air Monitors (MAs) verbinden, steuern und in ein kabelgebundenes LAN-System integrieren.

- Der W-650 unterstützt bis zu 16 externe APs auf einem Gelände.
- Der W-651 kann bis zu 16 externe APs auf dem Gelände zusätzlich zum einzelnen internen AP unterstützen.

## Mindestvoraussetzungen für die Software

Für den W-650 Serie Controller ist ArubaOS 5.0.2 oder eine neuere Version erforderlich.



---

**Hinweis:** Der Mastercontroller, sein redundanter Mastercontroller und alle lokalen Controller müssen dieselbe Version von ArubaOS verwenden. Wenn Sie Ihr Netzwerk aktualisieren und einen W-650 Serie Mobility Controller im Netzwerk installieren, vergewissern Sie sich, dass die Softwareversion des Controllers zum restlichen Netzwerk passt.

---

## Checkliste

- W-650 Serie Mobility Controller
- Netzkabel (länderspezifisch)
- Rack-Montagehalterungen
- Rack-Montagematerial für Server- und Telecom-Rack-Systeme
- Linke Abdeckung (nicht installiert)
- Rechte Abdeckung (nicht installiert)
- Gummifüße (für die Aufstellung auf Tischplatten)
- Serielles Flachbandkabel (RJ-45)
- Serieller Kabel-Port-Adapter (RJ-45 zu DB9)
- Omnidirektionale abnehmbare Dualband-Antenne mit hohem Gewinn (3x)
- *Dell PowerConnect ArubaOS Quick Start Guide*
- *Endbenutzerlizenzvereinbarung (EULA)*
- *Safety, Environmental, and Regulatory Information (SERI)*-Dokument
- *Warranty and Support Information (WSI)*-Dokument



---

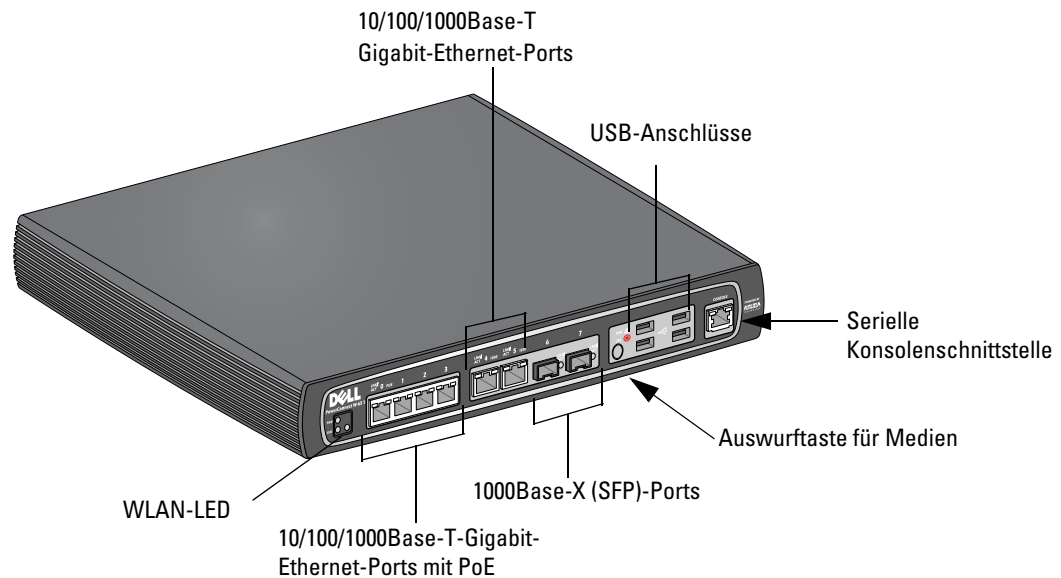
**Hinweis:** Wenden Sie sich an Ihren Händler, wenn Teile fehlen oder beschädigt sind oder wenn Sie falsche Teile erhalten haben. Bewahren Sie den Karton einschließlich der Original-Verpackungsmaterialien nach Möglichkeit auf. Verwenden Sie diese Materialien, um das Produkt bei Bedarf zu verpacken und zum Händler zurückzubringen.

---

# Hardwaremodellübersicht

## Vorderansicht

Abbildung 1 W-650 Serie Vorderansicht



### 1000Base-X (SFP)-Ports

Es stehen zwei 1000Base-X-Ports ausschließlich für faseroptische Konnektivität zur Verfügung. Sie sind zur Verwendung mit SFP-Modulen (Mini-GBICs) der Dell W-Serie konzipiert.

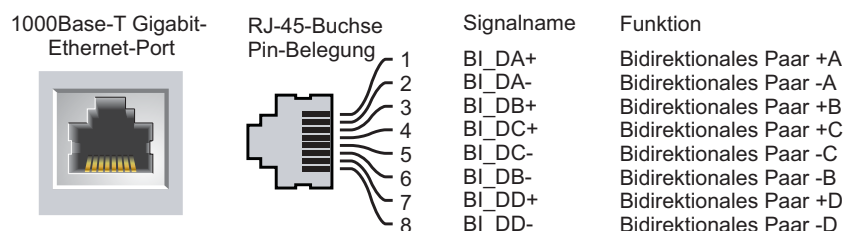
Wenn Sie kompatible SFP-Module erwerben möchten, wenden Sie sich an Ihren Dell-Vertriebsrepräsentanten.

**Hinweis:** Dell testet und unterstützt Glasfaserleitungen von Dell innerhalb des Controllersystems. Faseroptische Leitungen anderer Hersteller werden nicht getestet oder unterstützt; Dell kann deshalb die einwandfreie Funktionalität von Glasfaserleitungen anderer Hersteller, die in einem Dell-System verwendet werden, nicht garantieren.

### 10/100/1000Base-T-Gigabit-Ethernet-Ports

Es stehen sechs 10/100/1000Base-T-Gigabit-Ethernet-Ports (RJ-45) am W-650 Serie zur Verfügung. Gigabit-Ethernet nutzt alle acht Leitungen und jedes Paar wird bidirektional verwendet, sodass dieselben Paare sowohl für die Datenübertragung als auch für den Empfang verwendet werden. Abbildung 2 zeigt die CAT-5-Pin-Belegung für einen RJ-45-Anschluss. Die CAT-5-Pin-Belegung fasst jeweils die folgenden Pins bei einem 10/100/1000Base-T-Gigabit-Ethernet-Anschluss zu Paaren zusammen: 1/2, 3/6, 4/5 und 7/8.

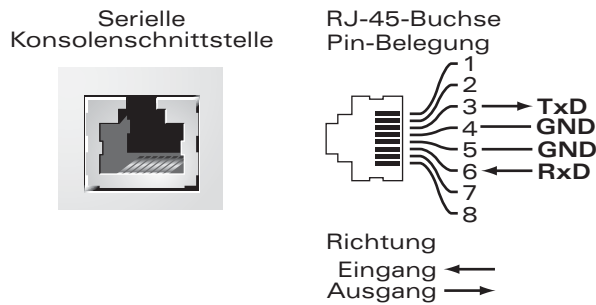
Abbildung 2 Pin-Belegung des Gigabit-Ethernet-Ports



## Serielle Konsolenschnittstelle

Eine serielle Konsolenschnittstelle steht für den Anschluss an ein Terminal zur Verfügung, um die direkte lokale Verwaltung zu ermöglichen.

**Abbildung 3** *Serielle Konsolenschnittstelle - Pin-Belegung*



Kommunikationseinstellungen für den seriellen Anschluss sind in [Tabelle 1](#) aufgeführt.

**Tabelle 1** *Konsolenterminaleinstellungen*

Baudrate	Datenbits	Parität	Stoppbits	Flusssteuerung
9600	8	Keine	1	Keine

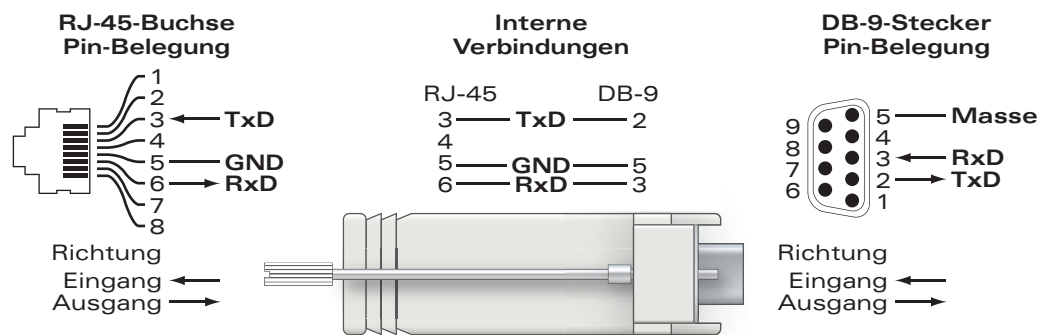


**Vorsicht:** Schließen Sie keinen AP an die serielle Konsolenschnittstelle an. Die serielle Konsolenschnittstelle ist nur mit RS-232-Geräten kompatibel. Andere Geräte als RS-232-Geräte, zum Beispiel APs, werden nicht unterstützt.

## Adapter für die serielle Konsolenschnittstelle

Mit einem modularen Adapter kann die RJ-45-Buchse in einen DB9-Stecker umgewandelt werden. Details können Sie [Abbildung 4](#) entnehmen.

**Abbildung 4** *Umwandlung der RJ-45-Buchse zum DB-9-Stecker mit modularem Adapter*



## USB-Anschlüsse

Der W-650 Serie ist mit vier USB 2.0-Schnittstellen ausgestattet. Über diese Schnittstellen kann ein EVDO/HSPDA-Modem, Flash- oder Festplattenspeichergerät oder Drucker angeschlossen werden. Weitere Informationen zur Konfiguration und Verwendung von USB-Geräten mit dem W-650 Serie finden Sie im *ArubaOS User Guide*.

## Auswurfaste für Medien

Der W-650 Serie verfügt über eine Medienauswurfaste, mit der Speichergeräte sicher entfernt werden können und das System in den Standbymodus versetzt wird. Wenn Sie auf die Taste drücken, erfolgt das Unmounten aller über USB an den Controller angeschlossenen Speichergeräte. Drucker und EVDO-Geräte sind davon nicht betroffen.

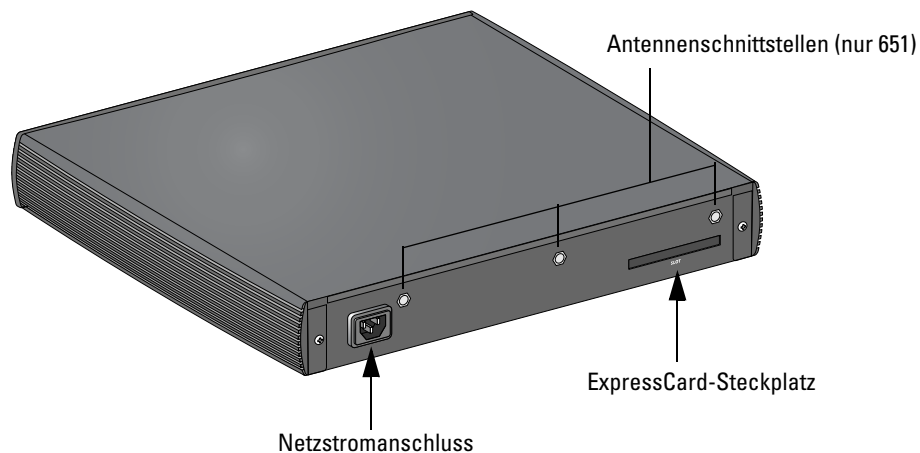
Durch das Betätigen der Medienauswurfaste wird der Status des W-650 Serie geändert. In der folgenden Tabelle sind die Status und LED-Muster aufgeführt, die mit der Verwendung der Medienauswurfaste verknüpft sind.

**Tabelle 2** Verhalten der LED der Medienauswurfaste

Anfänglicher Status	LED-Status	Aktion	Status-LED	Funktion	LED nach Abschluss der Aktion
NAS-Medium betriebsbereit	Durchgehend grün	Medienauswurfaste für 1 bis 5 Sekunden gedrückt halten	Gelb blinkend	Alle NAS-Medien unmounten	Durchgehend gelb
Bereitstellung der NAS-Medien aufgehoben (unmounted)	Durchgehend gelb	Medienauswurfaste für 1 bis 5 Sekunden gedrückt halten	Gelb blinkend	Alle angeschlossenen NAS-Geräte mounten und zum voll funktionsfähigen Betrieb zurückkehren	Durchgehend grün
Betriebsbereit	Durchgehend grün	Medienauswurfaste länger als 5 Sekunden gedrückt halten	Rot blinkend	Controller wechselt in den Standbymodus	Durchgehend rot
Betrieb mit nicht bereitgestellten NAS-Medien (unmounted)	Durchgehend gelb	Medienauswurfaste länger als 5 Sekunden gedrückt halten	Rot blinkend	Controller wechselt in den Standbymodus	Durchgehend rot
Standby	Durchgehend rot	Medienauswurfaste drücken	Gelb blinkend	Controller-Reaktivierung	Durchgehend grün

## Rückansicht

**Abbildung 5** Rückansicht der W-650 Serie (651 abgebildet)



## Netzstromanschluss

Der W-650 Serie unterstützt die integrierte Netzstromversorgung. An den Netzstromanschluss auf der Rückseite des Geräts kann ein Netzkabel angeschlossen werden (länderspezifisch). Weitere Informationen zur Stromversorgung finden Sie unter „Energiespezifikationen“ auf Seite 17.

## ExpressCard-Steckplatz

Der W-650 Serie ist mit einem ExpressCard-Steckplatz ausgestattet, der für ein EVDO-Gerät verwendet werden kann.

## Antennenschnittstellen (nur W-651)

Der W-651 verfügt über einen internen Access Point (AP). Dieser AP kann in den Frequenzbändern 2,4 GHz und 5 GHz in den Modi a/b/g oder n betrieben werden. Jedes Gerät ist mit drei RP-SMA-Schnittstellen ausgestattet, um die mitgelieferten Antennen anzuschließen.

## LED-Statusanzeigen

**Tabelle 3** W-650 Serie LED-Statusanzeigen

LED	Bezeichnung	Funktion	Anzeige	Status
Stromversorgung	POWER	Statusanzeige des Eingangsstroms	Ein (durchgehend grün)	Stromversorgung ein
			Aus	Kein Strom
Status	STATUS	Statusanzeige des Moduls	Ein (durchgehend grün)	Gerät ist betriebsbereit
			Ein (durchgehend rot)	Gerät ist ausgefallen oder im Standbymodus
			Ein (durchgehend gelb)	Gerät lädt Software
			Aus	Kein Strom
1000Base-X-Ports (SFP)	LNK/ACT	Anzeige des Verbindungsstatus	Ein (durchgehend grün)	Verbindung wurde hergestellt
			Ein (grün blinkend)	Port sendet oder empfängt Daten
			Aus	Keine Verbindung am Port
100/100/1000Base-T-Ports	LNK/ACT	Verbindungs-/Aktivitätsanzeige	Ein (durchgehend grün)	Verbindung wurde hergestellt
			Ein (grün blinkend)	Port sendet oder empfängt Daten
			Aus	Keine Verbindung am Port
	1000	Schnittstellengeschwindigkeit	Ein (durchgehend grün)	1000 Mbit/s
			Aus	10/100 Mbit/s
100/100/1000Base-T-Ports mit PoE	LINK/ACT	Verbindungs-/Aktivitätsanzeige	Ein (durchgehend grün)	Verbindung wurde hergestellt
			Ein (grün blinkend)	Port sendet oder empfängt Daten
			Aus	Keine Verbindung am Port
	PoE	PoE-Statusanzeige	Ein (durchgehend grün)	PoE wird bereitgestellt
			Ein (durchgehend gelb)	Das angeschlossene Gerät hat PoE angefordert, PoE wird jedoch nicht vom Port bereitgestellt
			Aus	PoE wird nicht bereitgestellt

**Tabelle 3** W-650 Serie LED-Statusanzeigen

LED	Bezeichnung	Funktion	Anzeige	Status
802.11 a/b/g/n AP (nur W-651)	WLAN	AP-Status	Ein (durchgehend gelb)	Funk im WLAN-Modus aktiviert
			Ein (durchgehend grün)	Funk im 802.11n-Modus aktiviert
			Ein (grün blinkend)	Air-Monitor-Modus
			Aus	Funk ist deaktiviert



### Anforderungen vor der Installation

Folgendes ist für die Installation eines W-650 Serie Controllers erforderlich.

- Rack-Montagehalterung (2 Stück, bei Aufstellung auf Tischplatte nicht verwendet)
- Passende Schraubendreher
- Netzkabel (länderspezifisch)
- Linke und rechte Abdeckung (bei Rack-Montage nicht verwendet)



---

**Warnung:** Bevor Sie die folgenden Schritte ausführen, lesen Sie bitte die Sicherheitsinformationen, die Sie mit dem Controller erhalten haben.

---

### Bei Verwendung eines Telecom-Racks:

- M3, 6 mm x 0,5 mm Kreuzschlitzschrauben (6 Stück, im Lieferumfang enthalten)
- 12-24 x 5/8" Kreuzschlitzschrauben (4 Stück, im Lieferumfang enthalten)

### Bei Verwendung eines Server-Racks:

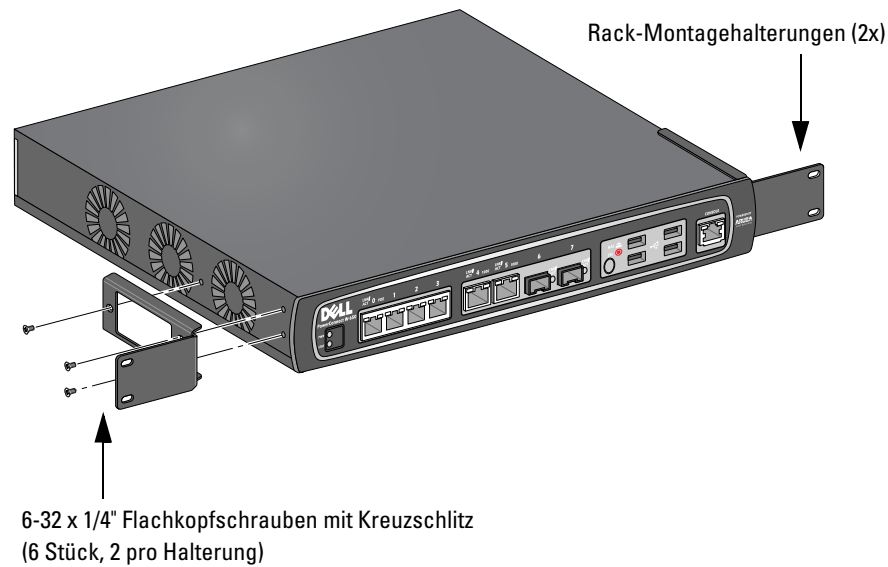
- M3, 6 mm x 0,5 mm Kreuzschlitzschrauben (6 Stück, im Lieferumfang enthalten)
- M6 x 20 mm Kreuzschlitzschrauben (4 Stück, im Lieferumfang enthalten)
- M6 Käfigmuttern (4 Stück, im Lieferumfang enthalten) oder M6 Käfigclips (4 Stück, im Lieferumfang enthalten)

### Installation in einem Telecom-Rack

So installieren Sie einen W-650 Serie Controller in ein Telecom-Rack-System (19 Zoll/48,26 cm):

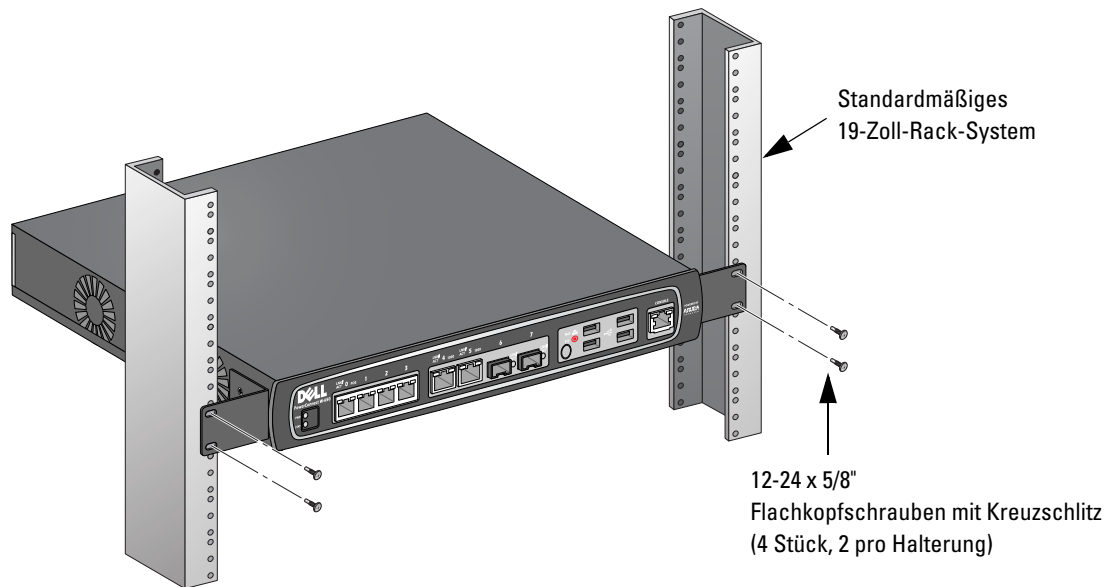
1. Halten Sie eine Rack-Montagehalterung über die Montagelöcher auf einer Seite des Controllers (siehe [Abbildung 6](#)).
2. Sichern Sie die Halterung mit drei M3, 6 mm x 0,5 mm Kreuzschlitzschrauben und mithilfe eines passenden Schraubendrehers am Controller.
3. Wiederholen Sie diese Schritte auf der anderen Seite des Controllers.

**Abbildung 6** Rack-Montagehalterungen



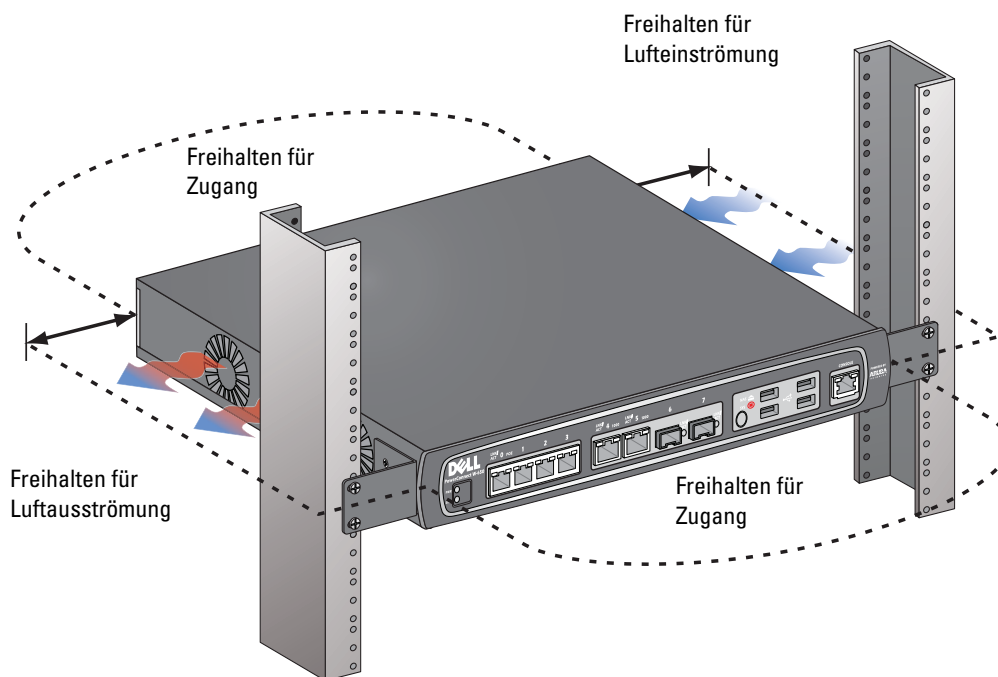
4. Bringen Sie den Controller mit vier Kreuzschlitzschrauben (12-24 x 5/8") und mithilfe eines passenden Schraubendrehers im Rack-System Ihres Unternehmens an (siehe [Abbildung 7](#)).

**Abbildung 7** Installation mit Rack-Montage



5. Lassen Sie auf der linken und rechten Seite des Geräts jeweils mindestens 10 cm Platz frei, um die ausreichende Luftzirkulation und Belüftung zu gewährleisten (siehe [Abbildung 8](#)).
6. Lassen Sie genügend Platz vor und hinter dem Gerät frei, damit Sie problemlos Zugang zu Stromkabeln, Netzkabeln und LEDs haben (siehe [Abbildung 8](#)).

**Abbildung 8** Platzanforderungen für Luftzirkulation



7. Schließen Sie das Netzstromkabel (länderspezifisch) auf der Rückseite des Geräts an.
8. Um den Controller mit Strom zu versorgen, stecken Sie das andere Ende des Netzkabels in eine Steckdose.

**Hinweis:** Der W-650 Serie Controller hat keinen Schalter, um die Stromversorgung des Geräts ein- oder auszuschalten. Die Stromversorgung des Geräts wird durch das Anschließen des Netzsteckers an die Steckdose bzw. durch das Trennen von der Steckdose geregelt.

## Installation in einem Server-Rack

So installieren Sie einen W-650 Serie in ein Server-Rack-System (19 Zoll/48,26 cm):

**Hinweis:** Nachstehend wird die Installation des Controllers in einem Rack mit quadratischen Stanzungen ohne Gewinde beschrieben. Für ein Rack mit runden Stanzungen ohne Gewinde verwenden Sie stattdessen die mitgelieferten Clipmuttern.

1. Halten Sie eine Rack-Montagehalterung über die Montagelöcher auf einer Seite des Controllers (siehe [Abbildung 6](#)).
2. Sichern Sie die Halterung mit drei M3, 6 mm x 0,5 mm Kreuzschlitzschrauben und mithilfe eines passenden Schraubendrehers am Controller.
3. Wiederholen Sie diese Schritte auf der anderen Seite des Controllers.
4. Bringen Sie die vier Käfigmutter an.

*So installieren Sie die Käfigmuttern mit einem Werkzeug zum Einsetzen von Käfigmuttern:*

- a. Setzen Sie die untere Klemmzunge der Käfigmutter über den unteren Rand der quadratischen Öffnung auf der Rückseite der Schiene ein.
- b. Führen Sie das schmalere Ende des Werkzeugs zum Einsetzen von Käfigmuttern von der Vorderseite aus durch die Öffnung in der Schiene und haken Sie das Werkzeug über die obere Klemmzunge der Käfigmutter.

- c. Drücken Sie die Käfigmutter in Richtung der Schiene, während Sie das Werkzeug nach oben drehen und nach hinten in Ihre Richtung ziehen, bis die obere Klemmzunge der Käfigmutter einrastet.

So installieren Sie die Käfigmutter mit einem Schraubendreher:

- a. Setzen Sie die untere Klemmzunge der Käfigmutter über den unteren Rand der quadratischen Öffnung auf der Rückseite der Schiene ein.
  - b. Drücken Sie die obere Klemmzunge der Käfigmutter mithilfe des Schraubendrehers zusammen.
  - c. Während die Klemmzunge zusammengedrückt ist, drücken Sie die Klemmzunge der Käfigmutter vollständig durch die Öffnung in der Schiene.
  - d. Nehmen Sie den Druck vom Schraubendreher, damit die Käfigmutter einrastet.
5. Bringen Sie den Controller mit vier Kreuzschlitzschrauben (M6 x 20 mm) und mithilfe eines passenden Schraubendrehers im Rack-System Ihres Unternehmens an.
  6. Lassen Sie auf der linken und rechten Seite des Geräts jeweils mindestens 10 cm Platz frei, um die ausreichende Luftzirkulation und Belüftung zu gewährleisten (siehe [Abbildung 8](#)).
  7. Lassen Sie genügend Platz vor und hinter dem Gerät frei, damit Sie problemlos Zugang zu Stromkabeln, Netzkabel und LEDs haben (siehe [Abbildung 8](#)).
  8. Schließen Sie das Netzstromkabel (länderspezifisch) auf der Rückseite des Geräts an.
  9. Um den Controller mit Strom zu versorgen, stecken Sie das andere Ende des Netzkabels in eine Steckdose.

---

**Hinweis:** Der W-650 Serie Controller hat keinen Schalter, um die Stromversorgung des Geräts ein- oder auszuschalten. Die Stromversorgung des Geräts wird durch das Anschließen des Netzsteckers an die Steckdose bzw. durch das Trennen von der Steckdose geregelt.

---



## Aufstellung

Bei Aufstellung des W-650 Serie Controllers auf einer ebenen Oberfläche, zum Beispiel auf einer Tischplatte:

1. Bringen Sie die vier Gummifüße an der Unterseite des Geräts an.
2. Bringen Sie die Seitenabdeckungen an, indem Sie sie an ihrem Platz einrasten lassen.
3. Stellen Sie das Gerät auf einer festen, ebenen Oberfläche auf.

## Erstmalige Einrichtung und Netzwerkkonnektivität

Nach Abschluss der physischen Installation führen Sie das erstmalige Setup auf dem Controller aus, um die IP-Adresse und andere grundlegenden Systeminformationen zu konfigurieren. Ausführliche Informationen und Anweisungen finden Sie in der Kurzanleitung *ArubaOS Quick Start Guide*.

## Ausbau

So entfernen Sie einen W-650 Serie Controller aus einem Rack-System (19 Zoll/48,26 cm):

1. Um den Controller von der Stromversorgung zu trennen, ziehen Sie das Netzkabel aus der Steckdose.
2. Trennen Sie alle anderen Kabel oder Geräte, die an den Controller angeschlossen sind.
3. Lösen Sie die vier Rack-Montageschrauben, mit denen der Controller im Rack gesichert ist.
4. Nehmen Sie den Controller aus dem Rack-System.

### Physische Spezifikationen

Abmessungen des Geräts (ohne Rack-Montagehalterungen)

- Höhe 38 mm
- Breite 346 mm
- Tiefe 226 mm

### Energiespezifikationen

- AC-Eingangsspannung: 100-240 V, Universaleingang
- Eingangsfrequenz: 50-60 Hz
- Maximaler Energieverbrauch: 126 Watt
- PoE-Gesamtkapazität: 78 Watt
- PoE-Kapazität pro Anschluss: 19,5 Watt

### Betriebsspezifikationen

- Temperatur bei Betrieb: 0°C bis 40°C
- Luftfeuchtigkeit bei Betrieb: 5% bis 95% (relative Luftfeuchtigkeit), nicht kondensierend

### Lagerungsspezifikationen

- Temperatur bei Lagerung: 0°C bis 50°C
- Luftfeuchtigkeit bei Lagerung: 5% bis 95% (relative Luftfeuchtigkeit), nicht kondensierend

### Wireless-Funkspezifikationen (W-651 Interner AP)

#### AP-Typ

- Single Radio, 3x3 Multiple-In, Multiple-Out (MIMO) für eine Datenrate bis zu 300 Mbit/s

#### Betriebsfrequenz

- 2,4-2,5 GHz oder 5,150–5,950 GHz

#### Verfügbare Kanäle

- Verwaltung durch Mobility Controller, je nach konfigurierter Zulassungsdomäne

#### Modulation

- 802.11b: Direct-Sequence Spread-Spectrum (DSSS)
- 802.11a/g: Orthogonal Frequency Division Multiplexing (OFDM)
- 802.11n: 802.11n Entwurf 2.0

## Übertragungsleistung

- Konfigurierbar in Schritten von 0,5 dBm

## Übertragungsraten (Mbit/s)

- 802.11b: 11, 5,5, 2, 1 mit automatischem Fallback
- 802.11a/g: 54, 48, 36, 24, 18, 12, 9, 6 mit automatischem Fallback
- 802.11n: MCS0 - MCS15 (6,5 Mbit/s - 300 Mbit/s)

## 802.11n Unterstützung von High-Throughput (HT)

- HT 20
- HT 40

## 802.11n Paketaggregation

- A-MPDU
- A-MSDU

## Antenne (W-651 Interner AP)

- Drei RP-SMA-Schnittstellen zur Unterstützung externer Antennen (unterstützt bis zu 3x3 MIMO mit räumlicher Diversität)
- Drei omnidirektionale Dualbandantennen AP-ANT-1B enthalten

## Sicherheits- und Zulassungsbestimmungen

Dell stellt ein mehrsprachiges Dokument bereit, das landesspezifische Einschränkungen sowie zusätzliche Sicherheits- und Zulassungsbestimmungen für Hardwareprodukte von Dell enthält. Das Dokument *Dell PowerConnect W-Series Safety, Environmental, and Regulatory Information* haben Sie mit diesem Produkt erhalten.



---

**Vorsicht:** Die Verwendung von Bedienelementen, die Änderung von Einstellungen und die Durchführung von Schritten, die in diesem Handbuch nicht angegeben sind, kann zur Freisetzung gefährlicher Strahlung führen.

---

Dieses Produkt entspricht 21 CFR Kapitel 1, Unterkapitel J, Teil 1040.10, und IEC 60825-1: 1993, A1: 1997, A2: 2001, IEC 60825-2: 2000.

Zur fortgesetzten Konformität mit den oben genannten Laser-Sicherheitsstandards sollten in Dell-Produkten nur zugelassene Module der Klasse 1 von unseren anerkannten Anbietern installiert werden.

## **FCC Class B-Gerät**

Dieses Gerät wurde getestet und erfüllt die Bedingungen für ein digitales Gerät der Klasse B gemäß Teil 15 der FCC-Bestimmungen. Diese Grenzwerte sind dafür ausgelegt, weitgehenden Schutz gegen schädliche Interferenz zu gewährleisten, wenn das Gerät in einer Wohnumgebung betrieben wird. Dieses Gerät erzeugt und benutzt Hochfrequenzenergie und kann diese auch abstrahlen; es kann möglicherweise schädliche Funkstörungen verursachen, wenn es nicht den Anleitungen entsprechend installiert und verwendet wird. Es gibt jedoch keine Garantie dafür, dass in einer bestimmten Installation keine Störungen auftreten. Falls dieses Gerät Störungen beim Funk- und Fernsehempfang verursacht, was durch Aus- und Einschalten des Geräts festgestellt werden kann, sollte der Benutzer versuchen, die Störungen durch eine der folgenden Maßnahmen zu beheben:

- Richten Sie die Empfangsantenne neu oder an einem anderen Ort aus.
- Vergrößern Sie den Abstand zwischen Gerät und Empfänger.
- Schließen Sie das Gerät an eine Steckdose an, die nicht zum selben Stromkreis gehört, an den der Empfänger angeschlossen ist.
- Wenden Sie sich an einen erfahrenen Funk/TV-Techniker.

Wenn Sie eine vollständige Liste der länderspezifischen Regulierungen erhalten möchten, wenden Sie sich bitte an Ihren Dell-Kundenbetreuer.

## **Erklärung zur Abgabe von Funkstrahlung**

Dieses Gerät erfüllt die FCC-Bestimmungen zur Abgabe von Funkstrahlung. Dieses Gerät sollte bei 2,4-GHz- und 5-GHz-Betrieb mit einem Mindestabstand von 35 cm zwischen dem Abstrahler und Ihrem Körper installiert und betrieben werden. Der Transmitter darf nicht zusammen mit anderen Antennen oder Transmittern platziert oder betrieben werden. Bei Betrieb im Frequenzbereich zwischen 5,15 und 5,25 GHz darf dieses Gerät nur im Innenbereich verwendet werden, um das Risiko gefährlicher Störungen von Mobilfunksystemen auf dem gleichen Kanal zu verringern.

## **W-650**

- EN 55022 Class B
- EN 55024
- IEC/EN 60950
- CE-Kennzeichnung
- cTUVus-Kennzeichnung
- Zertifiziert gemäß CB Scheme

## **W-651**

- FCC 15.247/15.407
- EU R&TTE-Richtlinie 1999/5/EC (EN 300 328, EN 301 893, EN 301 489)
- EU Niederspannungsrichtlinie 2006/95/EC
- IEC/EN 60950
- CE-Kennzeichnung
- cTUVus-Kennzeichnung
- Zertifiziert gemäß CB Scheme

Wenn Sie eine vollständige Liste der länderspezifischen Regulierungen erhalten möchten, wenden Sie sich bitte an Ihren Dell-Kundenbetreuer.

## NOM-Informationen (nur Mexiko)

Die folgenden Informationen werden zu dem in diesem Dokument beschriebenen Gerät gemäß den Bestimmungen der offiziellen mexikanischen Standards (NOM) bereitgestellt:

Importeur: Dell Inc. de Mexico, S.A. de C.V.  
Paseo de la Reforma 2620-11° Piso  
Col. Lomas Atlas  
11950 Mexico, D.F.


Modellnummer: 650/651

- Netzstrom: 100-240 V AC
- Frequenz: 47-63 Hz
- Stromverbrauch: 2,0 A

## Ordnungsgemäße Entsorgung von Dell-Geräten

Die aktuellsten Informationen zur Konformität mit globalen Umweltschutzrichtlinien und Dell-Produkten finden Sie im Dokument *Dell PowerConnect W-Series Safety, Environmental, and Regulatory Information*, das Sie mit diesem Produkt erhalten haben, oder auf unserer Website unter [www.dell.com](http://www.dell.com).

## RoHS-Richtlinie der Europäischen Union

 Dell-Produkte erfüllen die RoHS-Richtlinie 2002/95/EC (Restriction of Hazardous Substances, Beschränkung gefährlicher Substanzen). Die RoHS-Richtlinie der EU schränkt die Verwendung gefährlicher Substanzen bei der Herstellung von elektrischen und elektronischen Produkten ein. Insbesondere Blei (einschließlich Lötzinn in elektronischen Leiterplatten), Cadmium, Quecksilber, sechswertiges Chrom und Brom gehören laut RoHS-Richtlinie zu den einzuschränkenden Werkstoffen. Für einige Dell-Produkte gelten die Ausnahmen, die in Anhang 7 der RoHS-Richtlinie aufgeführt sind (Lötzinn in elektronischen Leiterplatten). Produkte und Verpackung sind mit dem RoHS-Kennzeichen (links abgebildet) gekennzeichnet, um die Konformität mit dieser Richtlinie anzuzeigen.



# **Contrôleur Dell PowerConnect W-650 Guide d'installation**



## **Copyright**

© 2010 Aruba Networks, Inc. AirWave®, Aruba Networks®, Aruba Mobility Management System®, et autres marques déposées sont des marques commerciales d'Aruba Networks, Inc. Dell™, le logo DELL™ et PowerConnect™ sont des marques de Dell Inc.

Tous droits réservés. Les spécifications données dans ce manuel sont sujettes à modifications sans préavis.

Conçu aux Etats-Unis. Toutes les autres marques figurant dans ce manuel appartiennent à leurs propriétés respectives.

## **Code Open Source**

Certains produits Aruba ont recours à du code logiciel Open Source développé par des tiers, ce qui inclut le code logiciel soumis aux licences GNU GPL (General Public License), GNU LGPL (Lesser General Public License) ou autres licences Open Source. Le code Open Source utilisé figure sur le site suivant :

[http://www.arubanetworks.com/open\\_source](http://www.arubanetworks.com/open_source)

## **Mention légale**

L'utilisation des plates-formes de communication et des logiciels d'Aruba Networks, Inc. par des individus ou des entreprises, pour mettre fin à l'exploitation de périphériques clients VPN d'autres fournisseurs manifeste une acceptation complète par cet individu ou cette entreprise des responsabilités associées à cette action et exonère totalement Aruba Networks, Inc. de toute procédure légale initiée par ces fournisseurs et relative au non respect du droit d'auteur.

# Table des matières

<b>Préface</b> .....	<b>5</b>
Vue d'ensemble .....	5
Documentation connexe .....	5
Contacter Dell .....	5
<b>Chapitre 1</b> <b>À propos du contrôleur série W-650</b> .....	<b>7</b>
Configuration requise .....	7
Contrôle du contenu de l'emballage .....	7
Vue d'ensemble du matériel .....	8
Vue avant du.....	8
Ports 1000Base-X (SFP).....	8
Ports Ethernet Gigabit 10/100/1000Base-T .....	8
Port console série .....	9
Adaptateur de port de console série .....	9
Ports USB .....	9
Bouton d'éjection du port USB .....	10
Vue arrière.....	10
Prise d'alimentation .....	11
Emplacement ExpressCard.....	11
Interfaces d'antennes (W-651 uniquement) .....	11
Voyants d'état .....	11
<b>Chapitre 2</b> <b>Série W-650 installation</b> .....	<b>13</b>
Préparation de l'installation.....	13
Pour un rack Telecom : .....	13
Pour un rack serveur : .....	13
Installation sur un rack Telecom .....	13
Installation sur un rack serveur .....	15
Déploiement sur une table .....	16
Configuration initiale et connectivité réseau.....	16
Retrait .....	16
<b>Annexe A</b> <b>Spécifications, sécurité et conformité</b> .....	<b>17</b>
Spécifications physiques .....	17
Alimentation .....	17
Spécifications d'exploitation .....	17
Spécifications de stockage .....	17
Spécifications du module radio sans fil (point d'accès interne W-651).....	17
Type de point d'accès.....	17
Fréquence utile .....	17
Canaux disponibles .....	17
Modulations.....	18
Puissance de transmission.....	18
Débits d'association (Mbits/s) .....	18
Prise en charge de 802.11n à haut rendement (HT - High-Throughput) .....	18

Agrégation de paquets 802.11n.....	18
Antenne (point d'accès interne W-651).....	18
Sécurité et conformité aux réglementations .....	18
Périphérique de Classe B selon la FCC .....	19
Déclaration de risque d'exposition à des rayonnements de fréquences radio.....	19
W-650.....	19
W-651.....	19
Informations NOM (Mexique uniquement) .....	20
Procédure de mise au rebut de l'équipement Dell .....	20
Directive de l'Union Européenne sur les substances dangereuses.....	20

Cette préface inclut les informations suivantes :

- Une vue d'ensemble du contenu de ce manuel
- Une liste de documents permettant d'approfondir les points abordés
- Informations sur l'assistance et les services

## Vue d'ensemble

- [Chapitre 1, « À propos du contrôleur série W-650 » à la page 7](#) fournit une présentation détaillée de la partie matérielle de la Série W-650.
- [Chapitre 2, « Série W-650 installation » à la page 13](#) regroupe les instructions de montage et d'installation sur rack.
- [Annexe A, « Spécifications, sécurité et conformité » à la page 17](#) inclut des spécifications techniques sur le produit, ainsi que des informations réglementaires et de conformité.

## Documentation connexe

La documentation suivante est mentionnée dans ce guide et fait partie de l'ensemble complet de documentation requis pour la bonne installation et gestion du contrôleur de mobilité Dell.

- *Dell PowerConnect ArubaOS 5.0 - guide de prise en main*
- *Dell PowerConnect ArubaOS 5.0 - guide de l'utilisateur*
- *Dell PowerConnect ArubaOS 5.0 - références de la ligne de commande*

## Contacteur Dell

Assistance sur le site Web	
Site principal	<a href="http://www.dell.com">www.dell.com</a>
Site d'assistance	<a href="http://support.dell.com">support.dell.com</a>
Documentation	<a href="http://support.dell.com/manuals">support.dell.com/manuals</a>
Logiciels	<a href="https://download.dell-pcw.com">https://download.dell-pcw.com</a>



Le contrôleur Dell PowerConnect Série W-650 est un contrôleur de réseau local sans fil de classe entreprise. Ce contrôleur connecte, contrôle et intègre les points d'accès sans fil et les points d'accès en modes moniteur (AM - Air monitor) d'un réseau local filaire.

- Le contrôleur W-650 peut prendre en charge jusqu'à 16 points d'accès externes connectés à un campus d'entreprises.
- Le contrôleur W-651 est capable de prendre en charge jusqu'à 16 points d'accès externes, connectés en campus en supplément de son propre point d'accès unique et interne.

## Configuration requise

Le contrôleur Série W-650 nécessite la version d'ArubaOS 5.0.2 ou une version plus récente.



---

**Remarque :** Le contrôleur maître, son contrôleur maître redondant, et tous ses contrôleurs locaux doivent exécuter la même version de code de ArubaOS. Lorsque vous mettez à niveau votre réseau et installez un contrôleur de mobilité Série W-650 sur votre réseau, assurez-vous que la version logicielle de votre contrôleur correspond à celle du reste du réseau.

---

## Contrôle du contenu de l'emballage

- Contrôleur de mobilité Série W-650
- Cordon d'alimentation (en fonction du pays de vente)
- Supports de montage sur rack
- Matériel de montage sur rack serveur ou Telecom
- Cache gauche (non installé)
- Cache droit (non installé)
- Pieds en caoutchouc (pour l'installation sur une table)
- Câble série plat (RJ-45)
- Adaptateur de port pour câble série (RJ-45 vers DB9)
- Antennes amovibles omnidirectionnelles, double bande, à fort gain (3)
- *Dell PowerConnect ArubaOS Quick Start Guide*
- *Contrat de licence utilisateur final (CLUF)*
- *Document « Safety, Environmental, and Regulatory Information (SERI) »*
- *Document « Informations concernant la garantie et le support »*



---

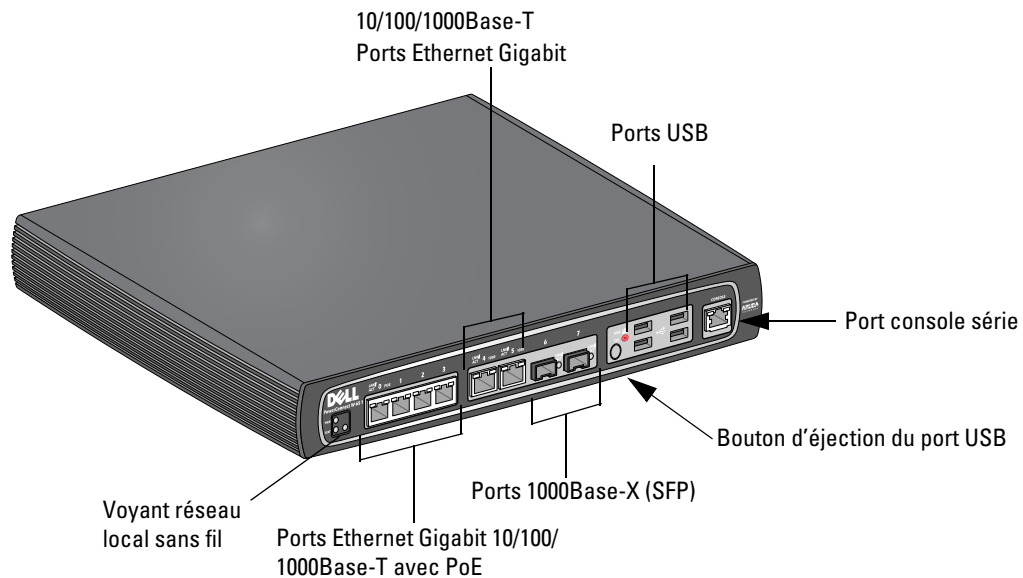
**Remarque :** Informez votre fournisseur si l'un des éléments est incorrect, manquant ou endommagé. Si possible, conservez l'emballage d'origine. Vous disposerez ainsi de tout le nécessaire en cas de renvoi de matériel au fournisseur.

---

# Vue d'ensemble du matériel

## Vue avant du

**Figure 1** Vue avant du Série W-650



### Ports 1000Base-X (SFP)

Deux ports 1000Base-X sont prévus pour la connexion par fibre optique uniquement et pour l'utilisation avec les SFP série W Dell (mini-GBIC).

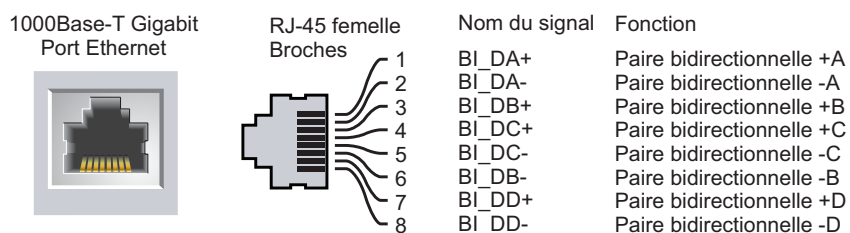
Pour acheter des modules SFP compatibles, contactez votre revendeur Dell pour plus de détails et de l'assistance.

**Remarque :** Dell teste et prend en charge les pièces optiques Dell au sein de leur système de contrôleur. Les pièces optiques de fabricants tiers ne sont ni testées ni prises en charge ; par conséquent, Dell ne garantit pas la fonctionnalité des pièces optiques de tiers lorsque ces dernières sont utilisées dans un système Dell.

### Ports Ethernet Gigabit 10/100/1000Base-T

Le contrôleur Série W-650 comporte six ports Ethernet Gigabits 10/100/1000Base-T (RJ-45). Gigabit Ethernet exploite les huit fils disponibles et chaque paire est utilisée de façon bidirectionnelle, ce qui signifie que les mêmes paires sont utilisées pour la transmission et la réception de données. La figure 2 illustre le brochage CAT-5 d'un connecteur RJ-45. Le connecteur RJ-45 CAT-5 utilise les paires suivantes sur un port Ethernet Gigabit 10/100/1000Base-T : 1/2, 3/6, 4/5 et 7/8.

**Figure 2** Brochage du port Ethernet Gigabit

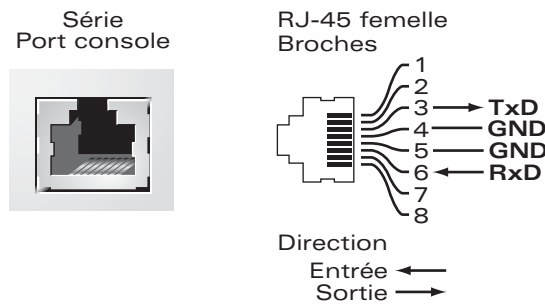




## Port console série

Un port console série est prévu pour la connexion à un terminal, ce qui autorise une gestion locale directe.

**Figure 3** Brochage du port console série



Les paramètres de communication du port série figurent dans la section [Tableau 1](#).

**Tableau 1** Paramètres de la console

Débit en bauds	Bits de données	Parité	Bits d'arrêt	Contrôle du flux
9600	8	Aucun	1	Aucun

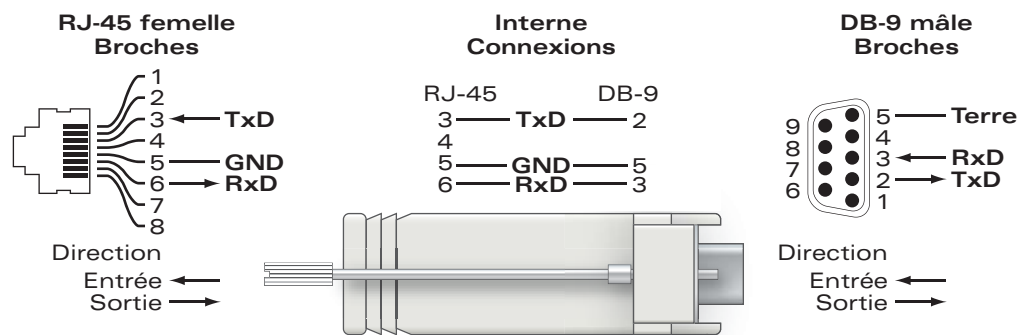


**ATTENTION** : Ne connectez pas de point d'accès au port de la console série. Le port de la console série est compatible uniquement avec les périphériques RS-232. Les périphériques qui ne sont pas de type RS-232, tels que les points d'accès, ne sont pas pris en charge.

## Adaptateur de port de console série

Un adaptateur modulaire permet de convertir le connecteur RJ-45 (femelle) sur un connecteur DB9 (mâle). Consultez la section [Figure 4](#) pour plus de détails.

**Figure 4** Conversion d'adaptateur modulaire RJ-45 (femelle) vers DB9 (mâle)



## Ports USB

Le contrôleur Série W-650 comporte quatre interfaces USB 2.0. Ces interfaces permettent d'utiliser un modem EVDO/HSPDA, de la mémoire flash ou un périphérique de stockage sur disque ou une imprimante. Pour plus d'informations sur la configuration et l'utilisation de périphériques USB avec le Série W-650, consultez le guide de l'utilisateur d'ArubaOS.

## Bouton d'éjection du port USB

Le contrôleur Série W-650 dispose d'un bouton d'éjection de support de données, qui permet d'enlever les périphériques de stockage en toute sécurité et de mettre le système en veille. Lorsque ce bouton est utilisé, tous les périphériques de stockage connectés au contrôleur avec un câble USB sont démontés. Les imprimantes et les périphériques EVDO ne sont pas affectés.

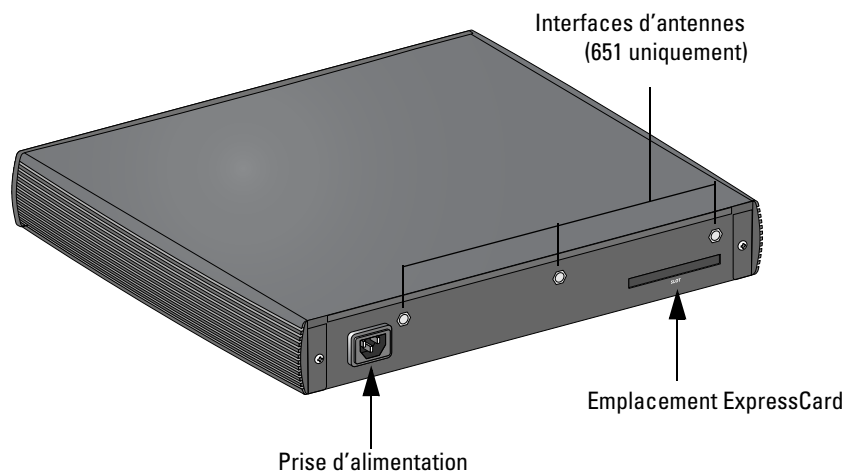
Le fait d'appuyer sur le bouton d'éjection du port USB change l'état du Série W-650. Le tableau ci-dessous décrit les états et indique les voyants dont le comportement est lié au bouton d'éjection.

**Tableau 2** Voyant lié au Bouton d'éjection du port USB

État initial	État du voyant	Action	Voyant d'état	Fonction	État du voyant Action terminée
Support NAS opérationnel	Vert fixe	Maintenez enfoncé le bouton d'éjection pendant 1 à 5 secondes maximum	Orange clignotant	Démonter tous les supports NAS	Orange fixe
Support NAS désactivé	Orange fixe	Maintenez enfoncé le bouton d'éjection pendant 1 à 5 secondes maximum	Orange clignotant	Monter le périphérique NAS connecté, puis rétablir un fonctionnement normal	Vert fixe
Opérationnel	Vert fixe	Maintenez enfoncé le bouton d'éjection pendant plus de 5 secondes	Rouge clignotant	Le contrôleur se met en veille	Rouge fixe
Exploitation avec support NAS désactivé	Orange fixe	Maintenez enfoncé le bouton d'éjection pendant plus de 5 secondes	Rouge clignotant	Le contrôleur se met en veille	Rouge fixe
Veille	Rouge fixe	Appuyez sur le bouton d'éjection du port USB	Orange clignotant	Réactivation du contrôleur	Vert fixe

## Vue arrière

**Figure 5** Vue arrière série W-650 (651 illustré)



## Prise d'alimentation

Le contrôleur Série W-650 dispose d'une alimentation secteur intégrée. La prise d'alimentation située sur la partie arrière de l'unité permet de brancher un câble secteur (modèle en fonction du pays). Consultez la section « [Alimentation](#) » à la page 17 pour plus de détails sur les spécifications d'alimentation.

## Emplacement ExpressCard

Le contrôleur Série W-650 dispose d'un emplacement ExpressCard, qui peut être utilisé avec un périphérique EVDO.

## Interfaces d'antennes (W-651 uniquement)

Le contrôleur W-651 comporte un point d'accès interne (AP). Ce point d'accès peut fonctionner sur les bandes de fréquence de 2,4 et 5 GHz, en modes a/b/g ou n. Chaque dispositif comporte trois interfaces RP-SMA pour fixer les antennes incluses dans ce kit.

## Voyants d'état

**Tableau 3** Voyants d'état de la Série W-650

Voyant	Étiquette	Fonction	Voyant	État
Alimentation	POWER	Voyant d'état de l'alimentation	Sous tension (vert fixe)	Sous tension
			Éteint	Pas d'alimentation
État	STATUS	Voyant d'état du module	Sous tension (vert fixe)	Le périphérique est opérationnel
			Sous tension (rouge fixe)	Le périphérique a subi un échec ou est en mode Veille
			Activé (orange fixe)	Le périphérique charge le logiciel
			Éteint	Pas d'alimentation
Ports 1000Base-X (SFP)	LNK/ACT	Voyant d'état de la liaison	Sous tension (vert fixe)	Une liaison a été établie
			Sous tension (vert clignotant)	Le port transmet ou reçoit des données
			Éteint	Pas de liaison sur le port
Ports 10/100/1000Base-T	LNK/ACT	Voyant d'état de la liaison ou de l'activité	Sous tension (vert fixe)	Une liaison a été établie
			Sous tension (vert clignotant)	Le port transmet ou reçoit des données
			Éteint	Pas de liaison sur le port
	1000	Vitesse de l'interface	Sous tension (vert fixe)	1000 Mbits/s
			Éteint	10/100 Mbits/s
Ports 10/100/1000Base-T avec PoE	LINK/ACT	Voyant d'état de la liaison ou de l'activité	Sous tension (vert fixe)	Une liaison a été établie
			Sous tension (vert clignotant)	Le port transmet ou reçoit des données
			Éteint	Pas de liaison sur le port

**Tableau 3** Voyants d'état de la Série W-650

Voyant	Étiquette	Fonction	Voyant	État
	PoE	Voyant d'état PoE	Sous tension (vert fixe)	Alimentation PoE fonctionnelle
			Activé (orange fixe)	Le périphérique connecté a demandé une entrée PoE, mais aucune alimentation PoE n'est fournie par le port
			Éteint	Alimentation PoE non fonctionnelle
Point d'accès 802.11 a/b/g/n (W-651 uniquement)	WLAN	État du point d'accès	Activé (orange fixe)	Radio activée en mode réseau sans fil
			Sous tension (vert fixe)	Module radio activé en mode 802.11n
			Sous tension (vert clignotant)	Mode moniteur (AM - Air Moniteur)
			Éteint	Le module radio est désactivé

### Préparation de l'installation

Les outils et l'équipement suivant sont requis pour l'installation d'un contrôleur Série W-650.

- Support de montage sur rack (2, non utilisé pour l'installation sur un bureau)
- Tournevis adapté
- Cordon d'alimentation (en fonction du pays de vente)
- Caches gauche et droit (non utilisés pour le montage sur rack)



---

**Avertissement :** Avant d'exécuter la procédure suivante, consultez les instructions de sécurité accompagnant le contrôleur.

---

#### Pour un rack Telecom :

- Vis cruciformes M3, 6 x 0,5 mm (6, incluses)
- Vis cruciformes 12-24 x 5/8 po (4, incluses)

#### Pour un rack serveur :

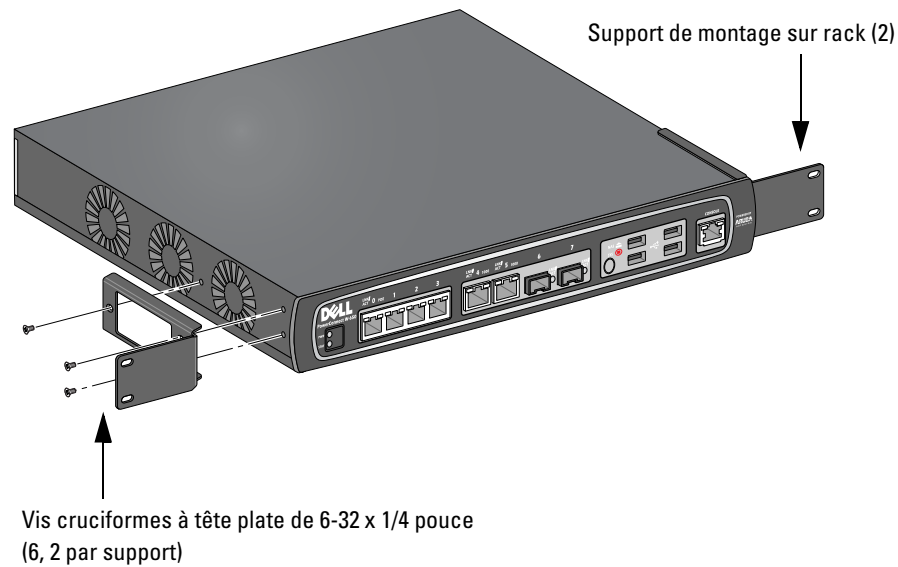
- Vis cruciformes M3, 6 x 0,5 mm (6, incluses)
- Vis cruciformes M6 x 20 mm (4, incluses)
- Écrous cage M6 (4, inclus) ou écrous à mâchoire M6 (4, inclus)

### Installation sur un rack Telecom

Pour installer un contrôleur Série W-650 sur un rack Telecom de 48,26 cm (19 po) :

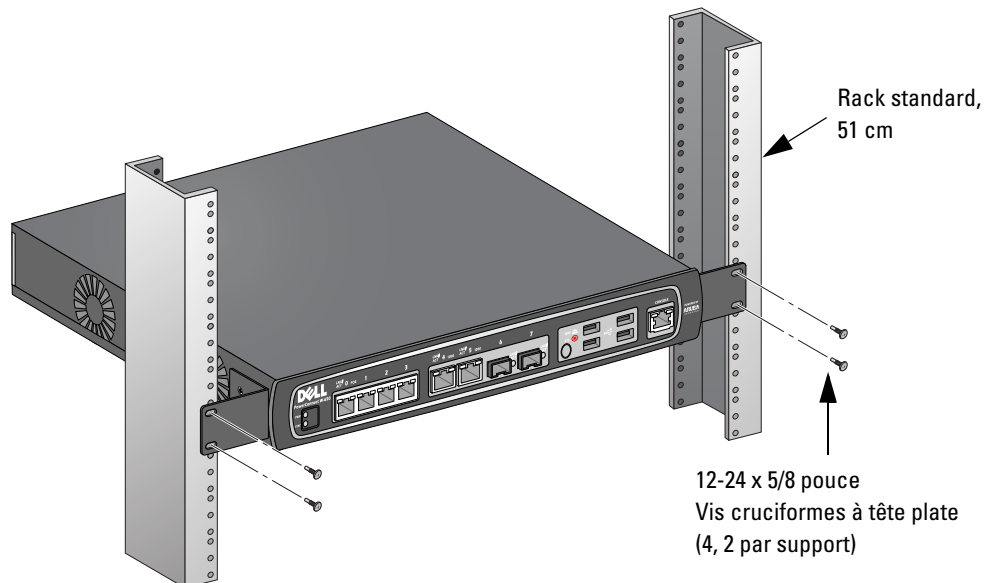
1. Placez un support de montage sur rack sur les trous de montage sur l'un des côtés du contrôleur (voir [Figure 6](#)).
2. Fixez le support sur le contrôleur au moyen de trois vis cruciformes à tête plate M3, 6 x 0,5 mm.
3. Répétez ces opérations de l'autre côté du contrôleur.

**Figure 6** Supports de montage sur rack



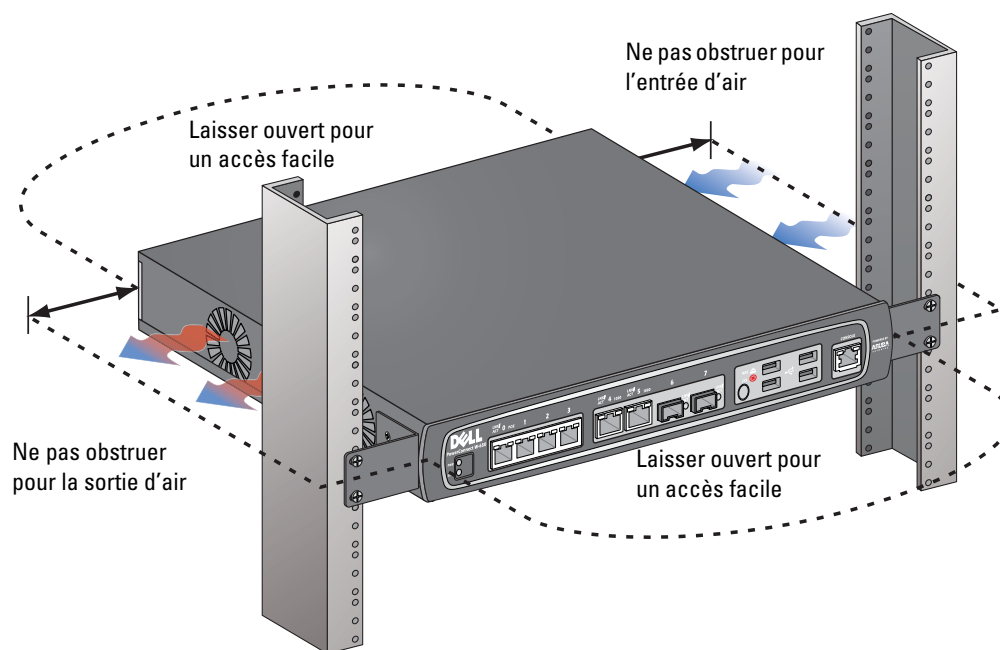
4. Montez le contrôleur sur le rack de votre entreprise au moyen de quatre vis cruciformes 12-24 x 5/8 po (voir [Figure 7](#)).

**Figure 7** Montage sur rack



5. Ménagez un espace minimum de 10 cm (4 po) sur les côtés gauche et droit de l'unité pour assurer une bonne circulation de l'air et la ventilation (voir [Figure 8](#)).
6. Prévoyez également un espace libre supplémentaire à l'avant et à l'arrière de l'unité pour accéder aux cordons d'alimentation, aux câbles réseau et aux voyants d'état (voir [Figure 8](#)).

**Figure 8** Circulation de l'air



7. Branchez le cordon d'alimentation secteur (différent selon le pays de commercialisation) à l'arrière de l'unité.
8. Branchez l'autre extrémité du cordon d'alimentation sur une prise électrique.



**Remarque :** Le contrôleur Série W-650 ne comporte pas de bouton de mise sous tension. L'alimentation de l'unité est contrôlée simplement en branchant ou débranchant le cordon secteur.

## Installation sur un rack serveur

Pour installer un contrôleur Série W-650 sur un rack serveur de 48,26 cm (19 po) :



**Remarque :** Les instructions suivantes décrivent l'installation du contrôleur sur un rack avec des trous carrés, sans filetage. Pour les racks à trous ronds sans filetage, utilisez des écrous à mâchoire.

1. Placez un support de montage sur rack sur les trous de montage sur l'un des côtés du contrôleur (voir [Figure 6](#)).
2. Fixez le support sur le contrôleur au moyen de trois vis cruciformes à tête plate M3, 6 x 0,5 mm.
3. Répétez ces opérations de l'autre côté du contrôleur.
4. Installez les quatre écrous cage.

*Pour installer un écrou cage avec un outil d'installation :*

- a. Commencez par insérer le bord inférieur de la cage, mais au-dessus du bord inférieur de l'ouverture carrée à l'arrière du rail.
- b. Insérez la petite extrémité de l'outil d'installation de l'écrou cage dans l'ouverture du rail (depuis l'avant) et accrochez cet outil sur le bord supérieur de l'écrou cage.
- c. Poussez l'écrou cage vers le rail tout en faisant pivoter l'outil vers le haut et vers vous, jusqu'à ce que le bord supérieur de l'écrou cage se mette en place.

Pour installer l'écrou cage avec un tournevis ordinaire :

- a. Commencez par insérer le bord inférieur de la cage, mais au-dessus du bord inférieur de l'ouverture carrée à l'arrière du rail.
  - b. Comprimez le bord supérieur de l'écrou cage avec un tournevis ordinaire.
  - c. Une fois le bord comprimé, enfoncez le bord de l'écrou cage à fond dans l'ouverture du rail.
  - d. Relâchez la pression avec le tournevis pour verrouiller l'écrou cage.
5. Montez le contrôleur sur le rack de votre entreprise au moyen de quatre vis cruciformes à tête plate de M6 x 20 mm.
  6. Ménagez un espace minimum de 10 cm (4 po) sur les côtés gauche et droit de l'unité pour assurer une bonne circulation de l'air et la ventilation (voir [Figure 8](#)).
  7. Prévoyez également un espace libre supplémentaire à l'avant et à l'arrière de l'unité pour accéder aux cordons d'alimentation, aux câbles réseau et aux voyants d'état (voir [Figure 8](#)).
  8. Branchez le cordon d'alimentation secteur (différent selon le pays de commercialisation) à l'arrière de l'unité.
  9. Branchez l'autre extrémité du cordon d'alimentation sur une prise électrique.



---

**Remarque :** Le contrôleur Série W-650 ne comporte pas de bouton de mise sous tension. L'alimentation de l'unité est contrôlée simplement en branchant ou débranchant le cordon secteur.

---

## Déploiement sur une table

Pour déployer un contrôleur Série W-650 sur une surface plate, telle qu'une table :

1. Installez les quatre pieds en caoutchouc sur le dessous de l'unité.
2. Fixez les caches latéraux en les accrochant sur l'unité.
3. Posez l'unité sur une surface plate et dure.

## Configuration initiale et connectivité réseau

Une fois l'installation physique terminée, procédez à la configuration initiale sur le contrôleur, de façon à configurer l'adresse IP et autres informations système de base. Pour plus de détails et une liste d'instructions, consultez le guide *ArubaOS Quick Start Guide*.

## Retrait

Pour retirer un contrôleur Série W-650 d'un rack de 48,26 cm (19 po) :

1. Mettez hors tension le contrôleur en débranchant son cordon d'alimentation de la prise murale.
2. Déconnectez les autres câbles ou périphériques connectés au contrôleur.
3. Desserrez les quatre vis de montage sur rack.
4. Enlevez le contrôleur du rack.



## Spécifications physiques

Dimensions du périphérique (sans supports de montage sur rack)

- Hauteur de 3,8 cm (1,5 po)
- Largeur de 34,6 cm (13,6 po)
- Profondeur de 22,6 cm (8,9 po)

## Alimentation

- Tension secteur admise : 100-240 V en alternatif, entrée universelle
- Fréquence admise : 50 à 60 Hz en alternatif
- Consommation maximale : 126 Watts
- Capacité totale avec alimentation PoE : 78 Watts
- Capacité d'alimentation PoE par port : 19,5 Watts

## Spécifications d'exploitation

- Plage de températures de fonctionnement : 0 à 40° C (32° à 104° F)
- Tolérance d'humidité en cours de fonctionnement : 5 à 95 % (humidité relative), sans condensation

## Spécifications de stockage

- Plage de températures de stockage : 0° à 50° C (32° à 122° F)
- Tolérance d'humidité lors du stockage : 5 à 95 % (humidité relative), sans condensation

## Spécifications du module radio sans fil (point d'accès interne W-651)

### Type de point d'accès

- Radio unique, 3x3 MIMO (Multiple-In, Multiple-Out) avec des débits de données pouvant atteindre 300 Mbits/s

### Fréquence utile

- 2,4 à 2,5 GHz ou 5,150 à 5,950 GHz

### Canaux disponibles

- Géré par contrôleur de mobilité, selon domaine de régulation

## Modulations

- 802.11b : étalement du spectre en séquence directe (DSSS - Direct-Sequence Spread-Spectrum)
- 802.11a/g : multiplexage orthogonal par répartition en fréquences (OFDM - Orthogonal Frequency Division Multiplexing)
- 802.11n : 802.11n préversion 2.0

## Puissance de transmission

- Configurable par incréments de 0,5 dBm

## Débits d'association (Mbits/s)

- 802.11b : 11, 5,5, 2, 1 avec repli automatique
- 802.11a/g : 54, 48, 36, 24, 18, 12, 9, 6 avec repli automatique
- 802.11n : MCS0 - MCS15 (6,5 à 300 Mbits/s)

## Prise en charge de 802.11n à haut rendement (HT - High-Throughput)

- HT 20
- HT 40

## Agrégation de paquets 802.11n

- A-MPDU
- A-MSDU

## Antenne (point d'accès interne W-651)

- Trois interfaces RP-SMA pour prendre en charge les antennes externes (prend en charge jusqu'à 3x3 MIMO avec diversité spatiale)
- Trois antennes omnidirectionnelles double bande AP-ANT-1B incluses

## Sécurité et conformité aux réglementations

Dell fournit un document en plusieurs langues contenant les restrictions propres aux différents pays, ainsi que des informations de sécurité et réglementaires pour tous les produits matériels Dell. Le document *Dell PowerConnect W-Series Safety, Environmental, and Regulatory Information* est inclus avec ce produit.



---

**ATTENTION :** L'application de commandes ou de réglages de performances ou de procédures qui ne sont pas spécifiées dans ce manuel risque d'entraîner une exposition à des rayonnements dangereux.

---

Ce produit est conforme aux normes 21 CFR chapitre 1, sous-chapitre J, section 1040.10 et IEC 60825-1: 1993, A1: 1997, A2: 2001, IEC 60825-2: 2000.

Pour assurer la pérennité de la conformité aux normes de sécurité laser ci-dessus, seuls les modules agréés de classe 1 provenant de nos fournisseurs agréés doivent être installés avec les produits Dell.

## Périphérique de Classe B selon la FCC

Cet équipement a été testé et déclaré conforme aux limites définies pour un périphérique numérique de classe B, conformément à la section 15 des règles de la FCC. Ces limites ont été conçues pour offrir une protection raisonnable contre les interférences néfastes dans le cadre d'une installation résidentielle. Cet équipement génère, utilise et peut diffuser de l'énergie sous forme de fréquences radio et, s'il n'est pas utilisé conformément aux instructions, peut provoquer des interférences lors des communications radio. Cependant, il ne peut pas être garanti qu'aucune interférence ne se produira dans une installation donnée. S'il s'avère que cet appareil produit des interférences nuisibles à la réception des émissions de radio et de télévision, ce qui peut être déterminé en l'allumant puis en l'éteignant, il est suggéré à son utilisateur d'essayer de supprimer ces interférences en prenant au moins les mesures suivantes :

- Réorienter ou déplacer l'antenne de réception ;
- Éloigner l'équipement du poste de réception ;
- Connecter l'équipement à une prise située sur un autre circuit que celui auquel le récepteur est raccordé.
- Consultez le revendeur ou un technicien radio/télé pour obtenir de l'aide.

Pour consulter la liste complète des règlements par pays, veuillez consulter votre représentant Dell.

## Déclaration de risque d'exposition à des rayonnements de fréquences radio

Cet équipement est conforme aux limites d'exposition aux rayonnements de fréquences radio de la FCC. Cet équipement doit être installé et utilisé à une distance minimale de 35 cm par rapport à votre corps pour les fréquences de 2,4 et 5 GHz. Ce transmetteur ne doit pas être installé ou utilisé en conjonction avec une autre antenne ou un autre transmetteur. En cas d'exploitation dans la plage de fréquences de 5,15 à 5,25 GHz, ce périphérique est limité à l'utilisation en intérieur afin de réduire le risque d'interférences dangereuses avec des systèmes mobiles par satellite utilisant le même canal.

### W-650

- EN 55022 Classe B
- EN 55024
- IEC/EN 60950
- Marque CE
- Marque cTUVus
- Certifié CB Scheme

### W-651

- FCC 15.247/15.407
- Directive ETRT de l'UE 1999/5/CE (EN 300 328, EN 301 893, EN 301 489)
- Directive Basse tension de l'UE 2006/95/CE
- IEC/EN 60950
- Marque CE
- Marque cTUVus
- Certifié CB Scheme

Pour consulter la liste complète des règlements par pays, veuillez consulter votre représentant Dell.

## Informations NOM (Mexique uniquement)

Les informations suivantes sont fournies sur le périphérique décrit dans ce document conformément aux stipulations de l'organisme normatif mexicain(NOM) :

Importateur : Dell Inc. de Mexico, S.A. de C.V.  
Paseo de la Reforma 2620-11° Piso  
Col. Lomas Atlas  
11950 Mexico, D.F.

N° de modèle : 650/651

- Tension fournie : 100 à 240 V c.a.
- Fréquence : 47 à 63 Hz
- Consommation de courant : 2,0 A

## Procédure de mise au rebut de l'équipement Dell

Vous trouverez les informations les plus récentes concernant la conformité environnementale et les produits Dell dans le document *Dell PowerConnect W-Series Safety, Environmental, and Regulatory Information* qui est inclus avec ce produit ou en consultant notre site Web à [www.dell.com](http://www.dell.com).

## Directive de l'Union Européenne sur les substances dangereuses



Les produits Dell sont également conformes à la directive européenne RoHS (Restriction of Hazardous Substances) 2002/95/CE. Cette directive limite l'utilisation de matériaux dangereux spécifiques dans la fabrication d'équipements électriques ou électroniques. De façon plus précise, les matériaux concernés par cette directive sont le plomb(ce qui inclut les soudures dans les circuits imprimés), le cadmium, le mercure, le chrome hexavalent et le brome. Certains produits Dell sont sujets aux exemptions prévues dans la directive RoHS à l'annexe 7 (plomb des soudures de circuits imprimés). Les produits et les emballages portent la mention « RoHS » présentée à gauche conformément à cette directive.





# **Controlador Dell PowerConnect W-650**

## **Guía de instalación**



## **Copyright**

© 2010 Aruba Networks, Inc. AirWave®, Aruba Networks®, Aruba Mobility Management System®, y otras marcas comerciales son marcas comerciales de Aruba Networks, Inc. Dell™, el logotipo DELL™ y PowerConnect™ son marcas registradas de Dell Inc.

Todos los derechos reservados. Las especificaciones incluidas en este manual pueden cambiar sin previo aviso.

Creado en Estados Unidos. El resto de marcas comerciales que aparecen en este manual pertenecen a sus respectivas empresas.

## **Código Open Source**

Algunos productos de Aruba incluyen software Open Source desarrollado por otros fabricantes, incluido código de software sujeto a las licencias GNU GPL, GNU LGPL o a otras licencias Open Source. El código Open Source utilizado se puede encontrar en este sitio:

[http://www.arubanetworks.com/open\\_source](http://www.arubanetworks.com/open_source)

## **Aviso legal**

El uso de las plataformas de conexión y de software de Aruba Networks, Inc., por toda persona o empresa, para terminar otros dispositivos de cliente VPN de otros proveedores constituye la total aceptación de responsabilidad por parte del individuo o empresa por la acción realizada y excluye por completo a Aruba Networks, Inc. del coste de cualquier acción legal emprendida en contra relacionada con la violación del copyright en representación de dichos proveedores.



# Contenido

<b>Prólogo</b> .....	<b>5</b>
Descripción general.....	5
Documentación relacionada .....	5
Contacto con Dell .....	5
<b>Capítulo 1      Acerca del controlador de la Serie W-650</b> .....	<b>7</b>
Requisitos mínimos de software .....	7
Lista de comprobación del paquete.....	7
Descripción general del modelo de hardware.....	8
Vista frontal .....	8
Puertos 1000Base-X (SFP).....	8
Puertos Gigabit Ethernet 10/100/1000Base-T .....	8
Puerto serie de consola .....	9
Adaptador de puerto serie de consola .....	9
Puertos USB.....	9
Botón de expulsión de disco .....	10
Vista posterior.....	10
Toma de alimentación de CA .....	11
Ranura para ExpressCard.....	11
Interfaces de antenas (sólo W-651).....	11
Indicadores LED de estado.....	11
<b>Capítulo 2      Instalación del Serie W-650</b> .....	<b>13</b>
Requisitos previos a la instalación.....	13
Para rack de telecomunicaciones: .....	13
Para rack de servidor: .....	13
Instalación en un rack de telecomunicaciones .....	13
Instalación en un rack de servidor.....	15
Instalación en superficie plana.....	16
Configuración inicial y conectividad de la red .....	16
Extracción .....	16
<b>Apéndice A      Especificaciones, seguridad y cumplimiento</b> .....	<b>17</b>
Especificaciones físicas.....	17
Especificaciones de alimentación.....	17
Especificaciones de funcionamiento .....	17
Especificaciones de almacenamiento .....	17
Especificaciones de radio inalámbrica (punto de acceso interno W-651).....	17
Tipo de punto de acceso.....	17
Frecuencia de funcionamiento .....	17
Canales disponibles .....	17
Modulaciones .....	17
Potencia de transmisión.....	18
Velocidades de asociación (Mbps).....	18
Compatibilidad con 802.11n de alto rendimiento (HT).....	18

Agregación de paquetes 802.11n .....	18
Antena (punto de acceso W-651 interno) .....	18
Cumplimiento con la normativa y seguridad.....	18
Dispositivo de clase B según la FCC .....	19
Declaración de exposición a radiaciones de RF .....	19
W-650.....	19
W-651.....	19
Información NOM (sólo en México).....	20
Eliminación adecuada del equipo Dell.....	20
RoHS de la Unión Europea.....	20

Este prólogo contiene la siguiente información:

- Una descripción general del contenido de este manual
- Una lista con la documentación adicional relacionada y recomendada
- Información de soporte y servicio

## Descripción general

- [Capítulo 1, “Acerca del controlador de la Serie W-650” en la página 7](#) proporciona una descripción general detallada del hardware del Serie W-650.
- [Capítulo 2, “Instalación del Serie W-650” en la página 13](#) proporciona instrucciones de montaje en rack y de instalación.
- [Apéndice A, “Especificaciones, seguridad y cumplimiento” en la página 17](#) incluye especificaciones técnicas del producto, así como información de seguridad y de cumplimiento de normativas.

## Documentación relacionada

En este manual se hace referencia a la siguiente documentación y se consideran fuente adicional de documentación necesaria para la correcta instalación y gestión de un controlador de movilidad Dell.

- *Guía de inicio rápido de Dell PowerConnect ArubaOS 5.0*
- *Manual del usuario de Dell PowerConnect ArubaOS 5.0*
- *Referencia de la línea de comandos de Dell PowerConnect ArubaOS 5.0*

## Contacto con Dell

Soporte en sitio web	
Sitio principal	<a href="http://www.dell.com">www.dell.com</a>
Sitio de soporte	<a href="http://support.dell.com">support.dell.com</a>
Documentación	<a href="http://support.dell.com/manuals">support.dell.com/manuals</a>
Software	<a href="https://download.dell-pcw.com">https://download.dell-pcw.com</a>



El controlador de la Serie W-650 Dell PowerConnect es un controlador LAN inalámbrico de uso profesional. Este controlador se conecta, controla e integra todos los puntos de acceso inalámbricos (AP) y monitores aéreos (AM) en un sistema LAN cableado.

- El W-650 es capaz de admitir hasta 16 puntos de acceso externos.
- W-651 también admite hasta 16 puntos de acceso externos además de su único punto de acceso interno.

### Requisitos mínimos de software

El controlador Serie W-650 requiere ArubaOS 5.0.2 o posterior.



---

**Nota:** el controlador maestro, su controlador maestro redundante y todos sus controladores locales deben ejecutarse en el mismo código de ArubaOS. Una vez actualizada la red e instalado un controlador de movilidad Serie W-650 en la red, verifique que la versión de software de su controlador coincide con la del resto de la red.

---

### Lista de comprobación del paquete

- Controlador de movilidad Serie W-650
- Cable de alimentación de CA (depende del país)
- Soportes de montaje en rack
- Hardware de montaje en rack para sistemas de servidor y de telecomunicaciones
- Bisel izquierdo (no instalado)
- Bisel derecho (no instalado)
- Pies de caucho (para instalación en superficie horizontal)
- Cable plano serie (RJ-45)
- Adaptador de puerto de cable serie (RJ-45 a DB9)
- Antenas duales, de alta ganancia, extraíbles y omnidireccionales (3)
- *Guía de inicio rápido de Dell PowerConnect ArubaOS*
- *Acuerdo de licencia de usuario final (EULA)*
- *Documento Información de seguridad, medioambiental y normativa (SERI)*
- *Documento Información de garantía y soporte (WSI)*



---

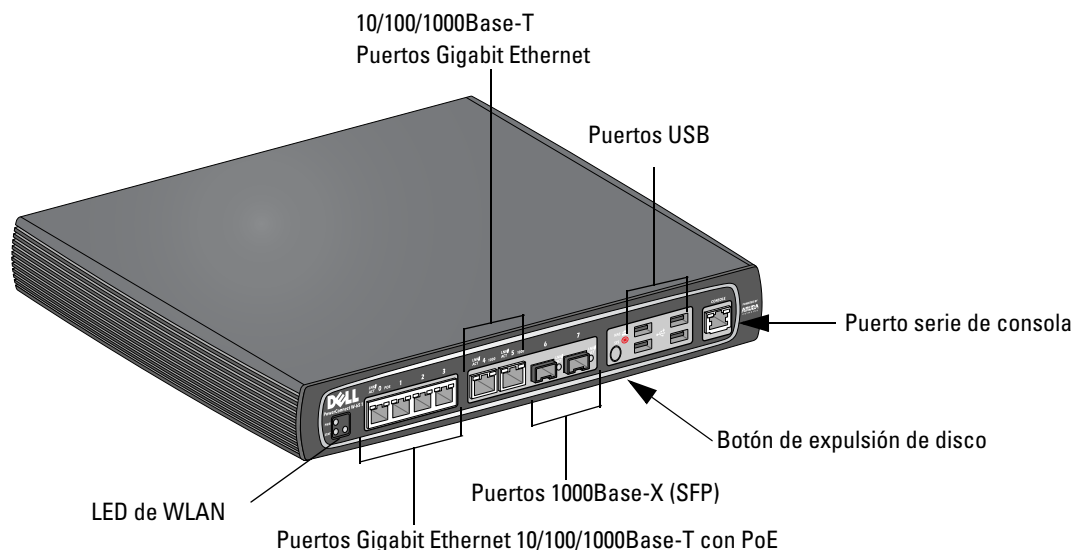
**Nota:** póngase en contacto con la tienda si detecta alguna anomalía, nota que falta algo o descubre que hay piezas dañadas. Si es posible, guarde la caja y el material de protección original. Utilice este material para volver a empaquetar la unidad y enviarla a la tienda si es necesario.

---

# Descripción general del modelo de hardware

## Vista frontal

Figura 1 Vista frontal del Serie W-650



### Puertos 1000Base-X (SFP)

Existen únicamente dos puertos 1000Base-X para conectividad de fibra y están pensados para SFP de la Serie W de Dell (miniGBIC).

Si quiere adquirir módulos SFP compatibles, póngase en contacto con el vendedor de Dell para obtener más información o ayuda.



**Nota:** Dell prueba y da soporte a ópticas Dell en su sistema de controladores. Las ópticas de terceros no se prueban ni se soportan; por lo tanto, Dell no garantiza la correcta funcionalidad de ópticas de terceros si se utilizan en un sistema Dell.

### Puertos Gigabit Ethernet 10/100/1000Base-T

Hay seis puertos Gigabit Ethernet 10/100/1000Base-T (RJ-45) en el Serie W-650. Gigabit Ethernet utiliza los ocho cables y cada par se utiliza de modo bidireccional. Esto significa que algunos pares se usan para transmisión de datos, y también para recepción. La figura 2 ilustra los pines CAT-5 de un conector RJ-45. Los pines CAT-5 encajan con los siguientes pines de un puerto Gigabit Ethernet 10/100/1000Base-T: 1/2, 3/6, 4/5 y 7/8.

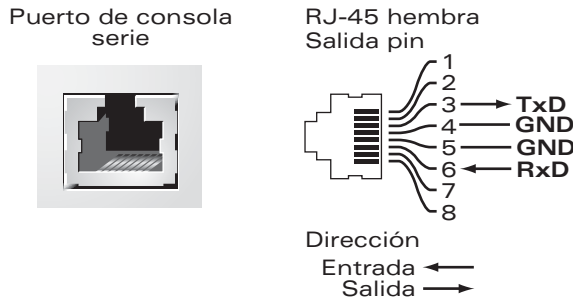
Figura 2 Pines del puerto Gigabit Ethernet

Puerto Ethernet Gigabit 1000Base-T	RJ-45 hembra Salida pin	Nombre de señal	Función
	1	BI_DA+	Par bidireccional +A
	2	BI_DA-	Par bidireccional -A
	3	BI_DB+	Par bidireccional +B
	4	BI_DC+	Par bidireccional +C
	5	BI_DC-	Par bidireccional -C
	6	BI_DB-	Par bidireccional -B
	7	BI_DD+	Par bidireccional +D
	8	BI_DD-	Par bidireccional -D

### Puerto serie de consola

Se proporciona un puerto de consola para su conexión a un terminal y poder gestionar directamente de forma local.

**Figura 3** Pines del puerto serie de consola



Los parámetros de comunicación del puerto serie se indican en la [Tabla 1](#).

**Tabla 1** Configuración del terminal de consola

Velocidad en baudios	Bits de datos	Paridad	Bits de parada	Control del flujo
9600	8	Ninguno	1	Ninguno

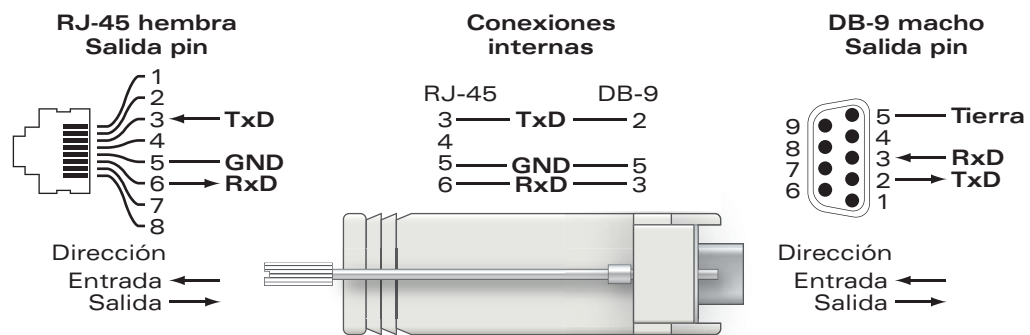


**Precaución:** no conectar un punto de acceso al puerto serie de consola. El puerto serie de consola sólo es compatible con dispositivos RS-232. Los puntos de acceso no son dispositivos -RS-232, por lo que no se admiten.

### Adaptador de puerto serie de consola

Se puede utilizar un adaptador modular para convertir el conector RJ-45 (hembra) en DB9 (macho). Consulte la [Figura 4](#) para obtener más información.

**Figura 4** Conversión de RJ-45 (hembra) a adaptador modular DB-9 (macho)



### Puertos USB

El Serie W-650 tiene cuatro interfaces USB 2.0. Estas interfaces permiten utilizar un módem EVDO/HSPDA, dispositivos de almacenamiento flash o en disco, o una impresora. Para obtener más información sobre la configuración y uso de dispositivos USB con el Serie W-650, consulte el Manual del usuario de *ArubaOS*.

## Botón de expulsión de disco

El Serie W-650 está equipado con un botón de expulsión de disco que permite a los usuarios expulsar dispositivos de almacenamiento con seguridad y poner el sistema en espera. Cuando se pulsa el botón, todos los dispositivos de medios de almacenamiento conectados al controlador mediante USB se desmontan. Esto no afecta a las impresoras ni a los dispositivos EVDO.

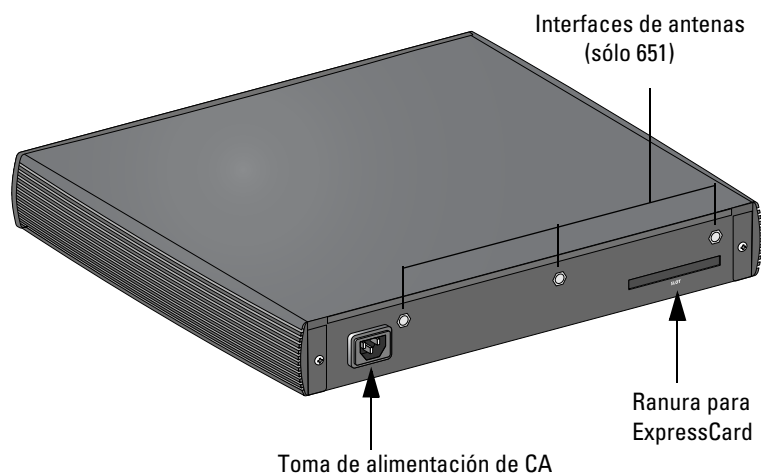
Al presionar el botón de expulsión de disco cambia el estado del Serie W-650; en la siguiente tabla se describen los estados de los LED asociados al uso del botón de expulsión de disco.

**Tabla 2** Comportamiento del LED con el botón de expulsión de disco

Estado inicial	Estado del LED	Acción	LED de estado	Función	Acción del LED completada
Medios NAS operativos	Verde fijo	Pulse el botón de expulsión de disco y no lo suelte durante 1-5 segundos solamente	Naranja parpadeando	Desmontar todos los medios NAS	Naranja fijo
Medios NAS sin montar	Naranja fijo	Pulse el botón de expulsión de disco y no lo suelte durante 1-5 segundos solamente	Naranja parpadeando	Monte todos los dispositivos NAS conectados y vuelva a utilizarlos a pleno rendimiento	Verde fijo
Operativo	Verde fijo	Pulse el botón de expulsión de disco y no lo suelte hasta que hayan pasado 5 segundos solamente	Rojo parpadeando	El controlador pasa a modo de espera	Rojo fijo
Funcionamiento con medios NAS sin montar	Naranja fijo	Pulse el botón de expulsión de disco y no lo suelte hasta que hayan pasado 5 segundos solamente	Rojo parpadeando	El controlador pasa a modo de espera	Rojo fijo
En espera	Rojo fijo	Pulse el botón de expulsión de disco	Naranja parpadeando	Activación del controlador	Verde fijo

## Vista posterior

**Figura 5** Vista posterior de la Serie W-650 (651 en la imagen)





## Toma de alimentación de CA

El Serie W-650 admite alimentación CA integrada y la toma de corriente de CA situada en la parte posterior de la unidad se utiliza con un cable de alimentación de CA (que varía según el país). Consulte [“Especificaciones de alimentación” en la página 17](#) para obtener más información sobre las especificaciones de alimentación.

## Ranura para ExpressCard

El Serie W-650 está equipado con una ranura para ExpressCard que puede utilizarse con un dispositivo EVDO.

## Interfaces de antenas (sólo W-651)

El W-651 está equipado con un punto de acceso interno (AP). Este punto de acceso puede funcionar en las bandas de 2,4 GHz y 5 GHz, en modos a/b/g o n. Cada dispositivo tiene tres interfaces RP-SMA para conectar las antenas incluidas en este kit.

## Indicadores LED de estado

**Tabla 3** Serie W-650 Indicadores LED de estado

LED	Etiqueta	Función	Indicador	Estado	
Alimentación	POWER	Indicador de estado de alimentación	Encendido (verde fijo)	Encendido	
			Apagado	Sin alimentación	
Estado	STATUS	Indicador de estado del módulo	Encendido (verde fijo)	El dispositivo está operativo	
			Encendido (rojo fijo)	Dispositivo con errores o en espera	
			Encendido (naranja fijo)	El dispositivo está cargando software	
			Apagado	Sin alimentación	
Puertos 1000Base-X (SFP)	LNK/ACT	Indicador de estado del enlace	Encendido (verde fijo)	Enlace establecido	
			Encendido (verde parpadeando)	El puerto transmite o recibe datos	
			Apagado	No hay enlace en el puerto	
Puertos 10/100/1000Base-T	LNK/ACT	Indicador de estado de enlace/ actividad	Encendido (verde fijo)	Enlace establecido	
			Encendido (verde parpadeando)	El puerto transmite o recibe datos	
			Apagado	No hay enlace en el puerto	
	1000		Velocidad de la interfaz	Encendido (verde fijo)	1000 Mbps
				Apagado	10/100 Mbps

**Tabla 3** Serie W-650 Indicadores LED de estado

LED	Etiqueta	Función	Indicador	Estado
Puertos 10/100/1000Base-T con PoE	LINK/ACT	Indicador de estado de enlace/ actividad	Encendido (verde fijo)	Enlace establecido
			Encendido (verde parpadeando)	El puerto transmite o recibe datos
			Apagado	No hay enlace en el puerto
	PoE	Indicador de estado de PoE	Encendido (verde fijo)	PoE se está suministrando
			Encendido (naranja fijo)	El dispositivo conectado ha solicitado PoE, pero no se está suministrando PoE en el puerto
			Apagado	PoE no se está suministrando
Punto de acceso 802.11 a/b/g/n (Sólo W-651)	WLAN	Estado del punto de acceso	Encendido (naranja fijo)	Radio activada en modo WLAN
			Encendido (verde fijo)	Radio activada en modo 802.11n
			Encendido (verde parpadeando)	Modo de monitor aéreo
			Apagado	Radio desactivada

## Requisitos previos a la instalación

Es preciso disponer de las siguientes herramientas y equipo para poder instalar un controlador Serie W-650.

- Soporte de montaje en rack (2, no se usan en la instalación sobre superficie horizontal)
- Destornilladores adecuados
- Cable de alimentación de CA (depende del país)
- Biseles izquierdo y derecho (no se utilizan para montaje en rack)



---

**Advertencia:** antes de llevar a cabo el siguiente procedimiento, revise las instrucciones de seguridad incluidas con el controlador.

---

### Para rack de telecomunicaciones:

- Tornillos de estrella M3, 6 mm x 0,5 mm (6, incluidos)
- Tornillos de estrella 12-24 x 5/8" (4, incluidos)

### Para rack de servidor:

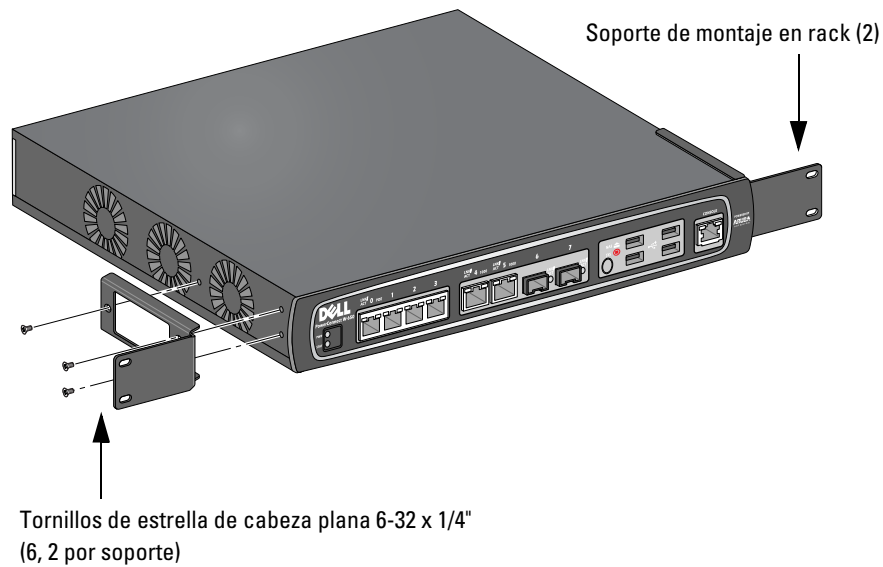
- Tornillos de estrella M3, 6 mm x 0,5 mm (6, incluidos)
- Tornillos de estrella M6 x 20 mm (4, incluidos)
- Tuerca cuadrada M6 (4, incluidas) o clips cuadrados M6 (4, incluidos)

## Instalación en un rack de telecomunicaciones

Para instalar un controlador Serie W-650 en un sistema en rack de telecomunicaciones de 48,26 cm:

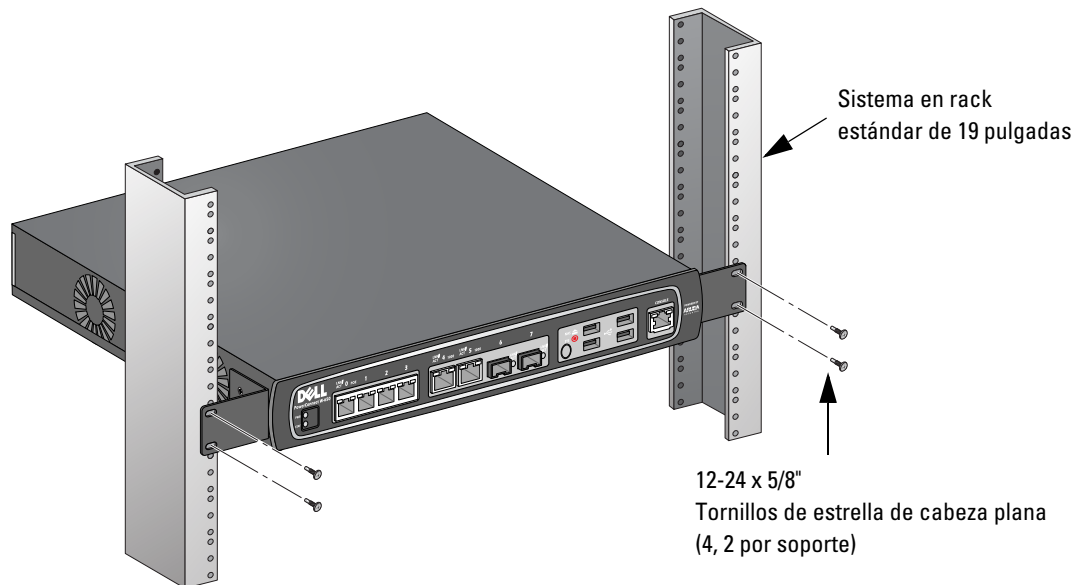
1. Coloque un soporte de montaje en rack sobre los orificios de montaje de uno de los laterales del controlador (consulte la [Figura 6](#)).
2. Fije el soporte al controlador con tres tornillos de estrella M3 de 6 mm x 0,5 mm y un destornillador.
3. Repita los mismos pasos en el otro lateral del controlador.

**Figura 6** Soportes de montaje en rack



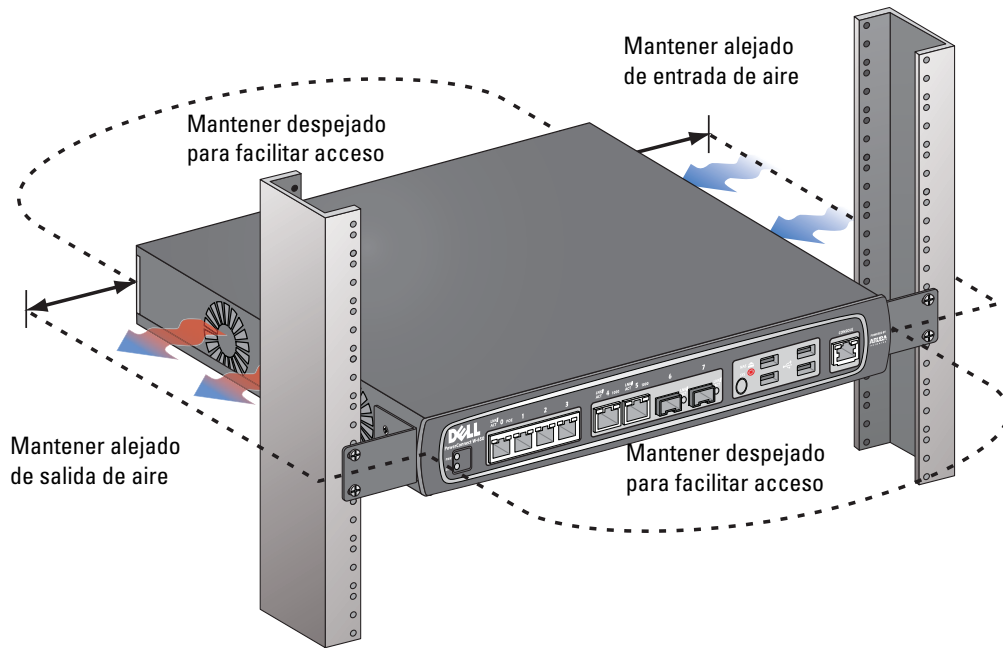
4. Monte el controlador en el sistema en rack de su empresa con ayuda de cuatro tornillos de estrella 12-24 x 5/8\" y el destornillador adecuado (consulte la [Figura 7](#)).

**Figura 7** Instalación de montaje en rack



5. Deje como mínimo 10 cm de espacio a izquierda y derecha de la unidad para dejar que se ventile bien y circule el aire (consulte la [Figura 8](#)).
6. Deje espacio adicional delante y detrás de la unidad para poder acceder a los cables de alimentación, de red y a los indicadores de estado de los LED (consulte la [Figura 8](#)).

**Figura 8** Requisitos de flujo de aire



7. Conecte el cable de alimentación de CA (varía según el país) a la parte posterior de la unidad.
8. Enchufe el extremo opuesto del cable de alimentación a una toma de corriente para alimentar el controlador.

**Nota:** el controlador Serie W-650 no tiene ningún interruptor de encendido y apagado. La alimentación de la unidad se controla conectando y desconectando el cable de la toma de corriente.

## Instalación en un rack de servidor

Para instalar un controlador Serie W-650 en un sistema en rack de servidor de 48,26 cm:

**Nota:** las siguientes instrucciones describen la instalación del controlador en un rack con orificios cuadrados no roscados. Para un rack con orificios redondeados no roscados, utilice las tuercas de clip suministradas.

1. Coloque un soporte de montaje en rack sobre los orificios de montaje de uno de los laterales del controlador (consulte la [Figura 6](#)).
2. Fije el soporte al controlador con tres tornillos de estrella M3 de 6 mm x 0,5 mm y un destornillador adecuado.
3. Repita los mismos pasos en el otro lateral del controlador.
4. Instale las cuatro tuercas cuadradas.

*Para instalar la tuerca cuadrada con su herramienta específica:*

- a. Comience a insertar el saliente inferior de la tuerca cuadrada en la parte inferior de la abertura cuadrada situada en la parte posterior del raíl.
- b. Inserte el extremo pequeño de la herramienta de instalación de tuercas cuadradas por la abertura del raíl (desde delante) y enganche la herramienta en el saliente superior de la tuerca cuadrada.
- c. Empuje la tuerca cuadrada en el raíl mientras gira la herramienta hacia arriba y tira de ella hasta que note que el saliente superior de la tuerca cuadrada encaja en su posición.

*Para instalar la tuerca cuadrada con un destornillador plano:*

- a. Comience a insertar el saliente inferior de la tuerca cuadrada en la parte inferior de la abertura cuadrada situada en la parte posterior del raíl.
  - b. Presione el saliente superior de la tuerca cuadrada con un destornillador plano.
  - c. Con el saliente presionado, presiónelo por completo en la abertura del raíl.
  - d. Deje de hacer fuerza en la tuerca cuadrada con el destornillador para que encaje en su sitio.
5. Monte el controlador en el sistema en rack de su empresa con ayuda de cuatro tornillos de estrella M6 x 20 mm y el destornillador adecuado.
  6. Deje como mínimo 10 cm de espacio a izquierda y derecha de la unidad para dejar que se ventile bien y circule el aire (consulte la [Figura 8](#)).
  7. Deje espacio adicional delante y detrás de la unidad para poder acceder a los cables de alimentación, de red y a los indicadores de estado de los LED (consulte la [Figura 8](#)).
  8. Conecte el cable de alimentación de CA (varía según el país) a la parte posterior de la unidad.
  9. Enchufe el extremo opuesto del cable de alimentación a una toma de corriente para alimentar el controlador.



---

**Nota:** el controlador Serie W-650 no tiene ningún interruptor de encendido y apagado. La alimentación de la unidad se controla conectando y desconectando el cable de la toma de corriente.

---

## Instalación en superficie plana

Para instalar un controlador Serie W-650 en una superficie plana, como una mesa:

1. Inserte los cuatro pies de goma de montaje en la parte inferior de la unidad.
2. Fije los biseles laterales encajándolos en su posición.
3. Coloque la unidad en una superficie lisa y estable.

## Configuración inicial y conectividad de la red

Una vez concluida la instalación física, lleve a cabo la configuración inicial del controlador para configurar la dirección IP y otra información básica del sistema. Para obtener información detallada y más instrucciones, consulte la Guía de inicio rápido de *ArubaOS*.

## Extracción

Para extraer un controlador Serie W-650 de un sistema en rack de 48,26 cm:

1. Desconecte el controlador de la corriente desenchufando el cable de alimentación de la toma de pared.
2. Desconecte cualquier otro cable o dispositivo conectado al controlador.
3. Afloje los cuatro tornillos de montaje en rack que fijan el controlador al sistema en rack de la empresa.
4. Extraiga el controlador del sistema en rack.

### Especificaciones físicas

Dimensiones del dispositivo (sin soportes de montaje en rack)

- Altura: 38 mm
- Anchura: 346 mm
- Fondo: 226 mm

### Especificaciones de alimentación

- Voltaje de entrada CA: 100-240 V, entrada universal
- Frecuencia de entrada CA: 50-60 Hz
- Consumo máximo de energía: 126 vatios
- Capacidad total de Power over Ethernet: 78 vatios
- Capacidad de Power over Ethernet por puerto: 19,5 vatios

### Especificaciones de funcionamiento

- Rango de temperaturas de funcionamiento: de 0 °C a 40 °C
- Rango de humedad de funcionamiento: del 5% al 95% (HR), sin condensación

### Especificaciones de almacenamiento

- Rango de temperaturas de almacenamiento: de 0 °C a 50 °C
- Rango de humedad de almacenamiento: del 5% al 95% (HR), sin condensación

### Especificaciones de radio inalámbrica (punto de acceso interno W-651)

#### Tipo de punto de acceso

- Único de radio, 3x3 entrada múltiple, salida múltiple (MIMO) con velocidades de datos de hasta 300 Mbps

#### Frecuencia de funcionamiento

- 2,4-2,5 GHz o 5,150-5,950 GHz

#### Canales disponibles

- Gestionado por controlador de movilidad, dependiente del dominio de normativa configurado

#### Modulaciones

- 802.11b: espectro extenso de secuencia directa (DSSS)
- 802.11a/g: multiplexado de división de frecuencia ortogonal (OFDM)
- 802.11n: 802.11n borrador 2.0

## Potencia de transmisión

- Configurable en incrementos de 0,5 dBm

## Velocidades de asociación (Mbps)

- 802.11b: 11, 5.5, 2, 1 con recuperación automática
- 802.11a/g: 54, 48, 36, 24, 18, 12, 9, 6 con recuperación automática
- 802.11n: MCS0 - MCS15 (6,5 Mbps - 300 Mbps)

## Compatibilidad con 802.11n de alto rendimiento (HT)

- HT 20
- HT 40

## Agregación de paquetes 802.11n

- A-MPDU
- A-MSDU

## Antena (punto de acceso W-651 interno)

- Tres interfaces RP-SMA para soporte de antenas externas (admite hasta 3x3 MIMO con diversidad espacial)
- Tres antenas AP-ANT-1B duales omnidireccionales incluidas

## Cumplimiento con la normativa y seguridad

Dell proporciona documentación en varios idiomas relativa a las restricciones concretas de cada país, así como información adicional de seguridad y normativas para todos los productos de hardware de Dell. El documento *Información normativa, medioambiental y de seguridad sobre la Serie W de Dell PowerConnect* se incluye con este producto.



---

**Precaución:** el uso de controles o ajustes de rendimiento o procedimientos que no se describan en este manual podrían exponerle a riesgo de radiación peligrosa.

---

Este producto cumple lo descrito en el 21 CFR capítulo 1, subcapítulo J, apartado 1040.10, y el IEC 60825-1: 1993, A1: 1997, A2: 2001, IEC 60825-2: 2000.

Para seguir garantizando el cumplimiento con la norma anterior sobre seguridad de láser, sólo se deben instalar en los productos de Dell módulos de clase 1 de proveedores aprobados.



## Dispositivo de clase B según la FCC

Se ha comprobado que este equipo cumple los límites de un dispositivo digital de clase B, según lo descrito en el apartado 15 de la normas de la FCC. Estos límites están diseñados para proteger razonablemente frente a posibles interferencias en entornos domésticos. Este equipo genera, utiliza y puede radiar energía en forma de frecuencias de radio y, si no se instala según las instrucciones, podría generar interferencias dañinas a las comunicaciones de radio. Sin embargo, no hay garantía alguna de que no se produzca ninguna interferencia en alguna instalación. Si este equipo causa interferencias para la recepción de televisión o radio (que pueden determinarse encendiendo y apagando el equipo), se pide al usuario que intente corregir cada una de las interferencias con la aplicación de las siguientes medidas:

- Reorientar o reubicar la antena de recepción.
- Aumentar la separación entre el equipo y el receptor.
- Conectar el equipo a la toma de un circuito distinto al que está conectado el receptor.
- Consultar a un distribuidor o a un técnico con experiencia en radio y televisión (podemos cambiar esto para sugerir que pidan ayuda a un instalador profesional).

Para ver una lista completa de normativas concretas para cada país, póngase en contacto con un representante de Dell.

## Declaración de exposición a radiaciones de RF

Este equipo cumple los límites de exposición a radiación de RF de la FCC. Este equipo debe instalarse y usarse con una distancia máxima de 35 cm entre el radiador y el cuerpo para operaciones a 2,4 GHz y 5 GHz.

El transmisor no debe estar colocado o en uso junto con cualquier otra antena o transmisor. Cuando se utiliza en el rango de frecuencias de 5,15 a 5,25 GHz, el dispositivo queda limitado a su uso en interiores para reducir las interferencias potencialmente dañinas con sistemas de satélites móviles con canales.

### W-650

- EN 55022 Clase B
- EN 55024
- IEC/EN 60950
- Marca de la CE
- Marca cTUVus
- Certificado con esquema CB

### W-651

- FCC 15.247/15.407
- Directiva EU R&TTE 1999/5/EC (EN 300 328, EN 301 893, EN 301 489)
- Directiva EU LV 2006/95/EC
- IEC/EN 60950
- Marca de la CE
- Marca cTUVus
- Certificado con esquema CB

Para ver una lista completa de normativas concretas para cada país, póngase en contacto con un representante de Dell.

## Información NOM (sólo en México)

La siguiente información se proporciona en el dispositivo descrito en este documento, según los requisitos de las normas mexicanas oficiales (NOM):

Importador: Dell Inc. de Mexico, S.A. de C.V.  
Paseo de la Reforma 2620-11° Piso  
Col. Lomas Atlas  
11950 México, D.F.

Número de modelo: 650/651

- Voltaje de suministro: 100-240 V CA
- Frecuencia: 47-63 Hz
- Consumo de corriente: 2,0 A

## Eliminación adecuada del equipo Dell

Para obtener la información de última hora sobre el cumplimiento de las normativas medioambientales globales más recientes y los productos Dell, consulte el documento *Información normativa, medioambiental y de seguridad sobre la Serie W de Dell PowerConnect* incluido con este producto o en nuestro sitio web [www.dell.com](http://www.dell.com).

## RoHS de la Unión Europea

**RoHS** Los productos de Dell también cumplen la directiva de restricción de sustancias peligrosas de la UE 2002/95/EC (RoHS). La RoHS limita el uso de determinados materiales peligrosos en la fabricación de equipos electrónicos y eléctricos. En concreto, los materiales restringidos en la directiva RoHS son el plomo (incluido el plomo soldado que se emplea en el ensamblaje de circuitos impresos), el cadmio, el mercurio el cromo hexavalente y el bromino. Algunos productos de Dell están sujetos a exenciones incluidas en el Anexo 7 de la directiva RoHS (el plomo soldado empleado en el ensamblaje de circuitos impresos). Los productos y el empaquetado se marcarán con la etiqueta “RoHS” a la izquierda indicando el cumplimiento de esta directiva.

# **Controlador Dell PowerConnect W-650**

## **Guia de instalação**



## **Copyright**

© 2010 Aruba Networks, Inc. AirWave®, Aruba Networks®, Aruba Mobility Management System® e outras marcas registradas são marcas comerciais da Aruba Networks, Inc. Dell™, o logotipo DELL™ e PowerConnect™ são marcas comerciais da Dell Inc.

Todos os direitos reservados. As especificações deste manual estão sujeitas a alterações sem aviso prévio.

Fabricado nos EUA. As outras marcas comerciais que aparecem neste manual pertencem às suas respectivas empresas.

## **Código de fonte aberta**

Alguns produtos da Aruba contêm código de software de fonte aberta desenvolvido por terceiros, incluindo código de software para licença pública geral (GPL) GNU, licença pública menos generalizada (“LGPL”) GNU ou outras licenças de fonte aberta. O código de fonte aberta pode ser encontrado neste site:

[http://www.arubanetworks.com/open\\_source](http://www.arubanetworks.com/open_source)

## **Aviso legal**

O uso de plataformas de switching e softwares da Aruba Networks, Inc., por pessoas físicas ou jurídicas, na terminação de outros dispositivos clientes VPN de outros fornecedores constitui a plena aceitação da responsabilidade dessa pessoa física ou jurídica por tal ação e isenta completamente a Aruba Networks, Inc. de todo e qualquer processo legal que possa ser movido contra a mesma com relação à violação dos direitos de copyright em nome desses fornecedores.

# Índice

<b>Prefácio</b> .....	<b>5</b>
Visão geral .....	5
Documentação relacionada .....	5
Como entrar em contato com a Dell .....	5
<b>Capítulo 1</b> <b>Sobre o controlador série W-650</b> .....	<b>7</b>
Requisitos mínimos de software .....	7
Lista de verificação da embalagem .....	7
Visão geral do modelo de hardware .....	8
Vista frontal .....	8
Portas 1000Base-X (SFP) .....	8
Portas Gigabit Ethernet 10/100/1000Base-T .....	8
Porta serial do console .....	9
Adaptador da porta serial do console .....	9
Portas USB .....	9
Botão de ejeção de mídia .....	10
Vista traseira .....	10
Tomada de energia CA (AC) .....	11
Slot para ExpressCard .....	11
Interfaces para antenas (somente W-651) .....	11
LEDs indicadores de status .....	11
<b>Capítulo 2</b> <b>Instalação da Série W-650</b> .....	<b>13</b>
Requisitos de pré-instalação .....	13
Para um rack de telecomunicações: .....	13
Para um rack de servidores: .....	13
Instalação em um rack de telecomunicações .....	13
Instalação em um rack de servidores .....	15
Implantação sobre a mesa .....	16
Configuração inicial e conectividade da rede .....	16
Remoção .....	16
<b>Apêndice A</b> <b>Especificações, segurança e conformidade</b> .....	<b>17</b>
Especificações físicas .....	17
Especificações de alimentação .....	17
Especificações de operação .....	17
Especificações de armazenamento .....	17
Especificações do rádio sem fio (AP W-651 interno) .....	17
Tipo de ponto de acesso .....	17
Frequência operacional .....	17
Canais disponíveis .....	17
Modulações .....	18
Potência de transmissão .....	18
Taxas de associação (Mbps) .....	18
Suporte para 802.11n de alto rendimento (HT – High-Throughput) .....	18

Agregação de pacotes 802.11n.....	18
Antena (AP interno W-651) .....	18
Segurança e conformidade com as normas.....	18
Dispositivo de classe B em conformidade com a FCC.....	19
Declaração sobre a exposição à radiação de RF.....	19
W-650.....	19
W-651.....	19
Informações sobre a NOM (somente para o México) .....	20
Descarte adequado dos equipamentos da Dell .....	20
RoHS da União Europeia .....	20

Este prefácio contém as seguintes informações:

- Uma visão geral do conteúdo deste manual
- Uma lista da documentação relacionada como referência complementar
- Informações sobre suporte e serviço

## Visão geral

- [Capítulo 1, “Sobre o controlador série W-650” na página 7](#) fornece uma visão geral detalhada sobre o hardware da Série W-650.
- [Capítulo 2, “Instalação da Série W-650” na página 13](#) fornece instruções de montagem em rack e instalação.
- [Apêndice A, “Especificações, segurança e conformidade” na página 17](#) contém as especificações técnicas do produto e informações sobre segurança e conformidade com as normas.

## Documentação relacionada

A documentação a seguir é abordada neste guia e é considerada como parte do conjunto de documentação completo necessário para a instalação e o gerenciamento bem-sucedidos de um controlador de mobilidade Dell.

- *Dell PowerConnect ArubaOS 5.0 Quick Start Guide*
- *Dell PowerConnect ArubaOS 5.0 User Guide*
- *Dell PowerConnect ArubaOS 5.0 Command Line Reference*

## Como entrar em contato com a Dell

Suporte pelo site	
Site principal	<a href="http://www.dell.com">www.dell.com</a>
Site de suporte	<a href="http://support.dell.com">support.dell.com</a>
Documentação	<a href="http://support.dell.com/manuals">support.dell.com/manuals</a>
Software	<a href="https://download.dell-pcw.com">https://download.dell-pcw.com</a>





O Controlador Dell PowerConnect Série W-650 é um controlador de LAN sem fio de classe empresarial. Este controlador conecta, controla e integra pontos de acesso (APs) sem fio e monitores de ar (AMs) em um sistema de rede LAN cabeada.

- A W-650 é capaz de suportar até 16 APs externos em campo.
- A W-651 tem capacidade para suportar até 16 pontos de acesso externos em campo além de seu ponto de acesso interno.

### Requisitos mínimos de software

O controlador Série W-650 requer a versão ArubaOS 5.0.2 ou posterior.



---

**Nota:** O controlador principal, seu controlador principal redundante e todos os seus controladores locais devem funcionar com a mesma codificação do ArubaOS. Depois de atualizar sua rede e instalar um controlador de mobilidade Série W-650 em sua rede, verifique se a versão do software do controlador coincide com os demais componentes da rede.

---

### Lista de verificação da embalagem

- Controlador de mobilidade Série W-650
- Cabo de alimentação CA (AC) (específico do país)
- Suportes para montagem em rack
- Hardware de montagem em rack para sistemas com rack de servidores e telecomunicações
- Engaste lateral esquerdo (não instalado)
- Engaste lateral direito (não instalado)
- Pés de borracha (para implantações sobre a mesa)
- Cabo serial comum (RJ-45)
- Adaptador de porta para cabo serial (RJ-45 para DB9)
- Antenas destacáveis omnidirecional de banda dual e alto ganho (3x)
- *Dell PowerConnect ArubaOS Quick Start Guide*
- *Contrato de Licença de Usuário Final (EULA)*
- *Documento de informações sobre segurança, ambiente e regulamentações (SERI)*
- *Documento de informações sobre garantia e suporte (WSI)*



---

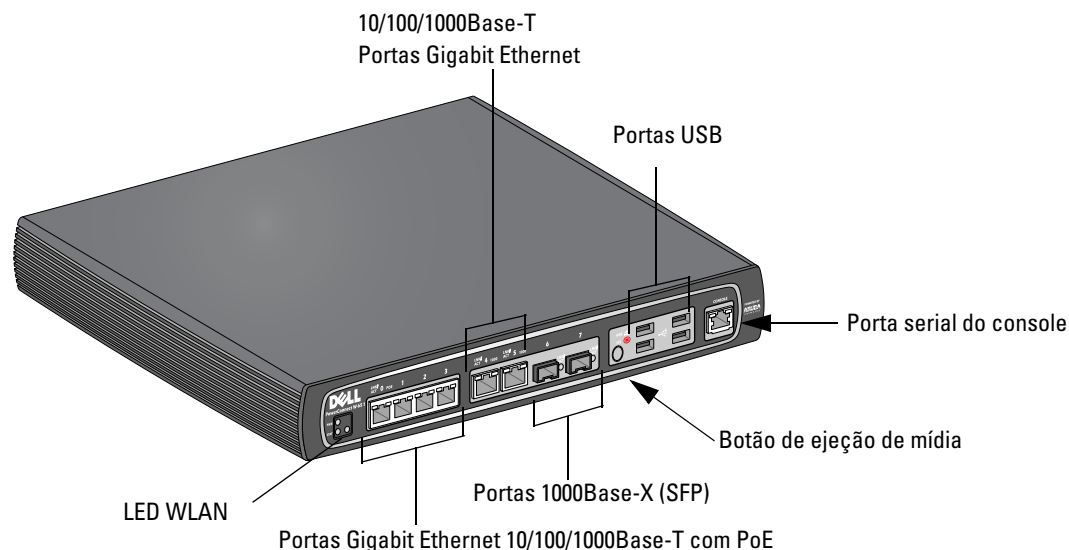
**Nota:** Informe seu fornecedor caso alguma peça esteja incorreta, faltando ou danificada. Se possível, mantenha a caixa, incluindo os materiais para embalagem originais. Use esses materiais para re-embalar e devolver o produto ao fornecedor, se necessário.

---

# Visão geral do modelo de hardware

## Vista frontal

**Figura 1** Vista frontal da Série W-650



### Portas 1000Base-X (SFP)

Há duas portas 1000Base-X para conexão de fibra apenas e que devem ser usadas com SFPs série W Dell (mini GBICs).

Para adquirir módulos SFP compatíveis, entre em contato com um representante de vendas da Dell para obter detalhes e assistência.

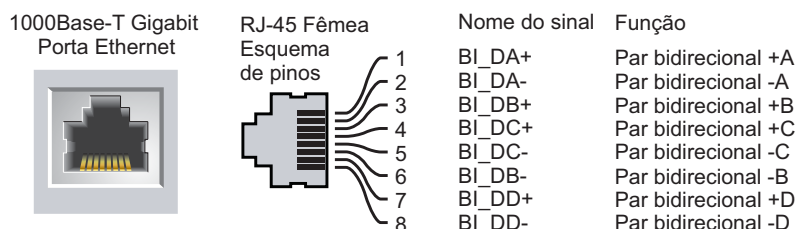


**Nota:** A Dell testa e suporta dispositivos ópticos Dell no seu sistema de controladores. Dispositivos ópticos de terceiros não são testados nem suportados. Portanto, a Dell não garante a funcionalidade adequada de dispositivos ópticos de terceiros quando usados em um sistema Dell.

### Portas Gigabit Ethernet 10/100/1000Base-T

Há seis portas Gigabit Ethernet 10/100/1000Base-T (RJ-45) na Série W-650. A porta Gigabit Ethernet usa os oito fios e cada par é usado de forma bidirecional, o que significa que alguns pares são usados tanto para transmitir quanto para receber dados. A figura 2 ilustra o esquema de pinos CAT-5 encontrado em um conector RJ-45. O esquema de pinos CAT-5 forma pares entre os seguintes pinos de uma porta Gigabit Ethernet 10/100/1000Base-T: 1/2, 3/6, 4/5 e 7/8.

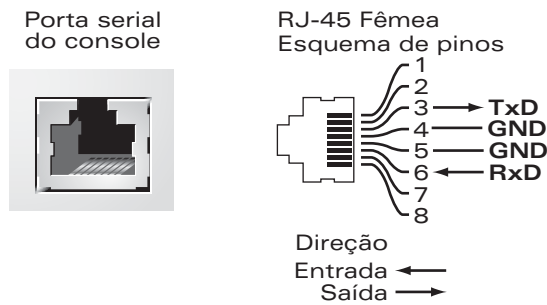
**Figura 2** Esquema de pinos da porta Gigabit Ethernet



## Porta serial do console

Uma porta serial do console é fornecida para conexão a um terminal, permitindo o gerenciamento direto local.

**Figura 3** Esquema de pinos da porta serial do console



As configurações de comunicação da porta serial são indicadas na [Tabela 1](#).

**Tabela 1** Configurações do terminal do console

Taxa de transmissão	Bits de dados	Paridade	Bits de parada	Controle de fluxo
9600	8	Nenhuma	1	Nenhum

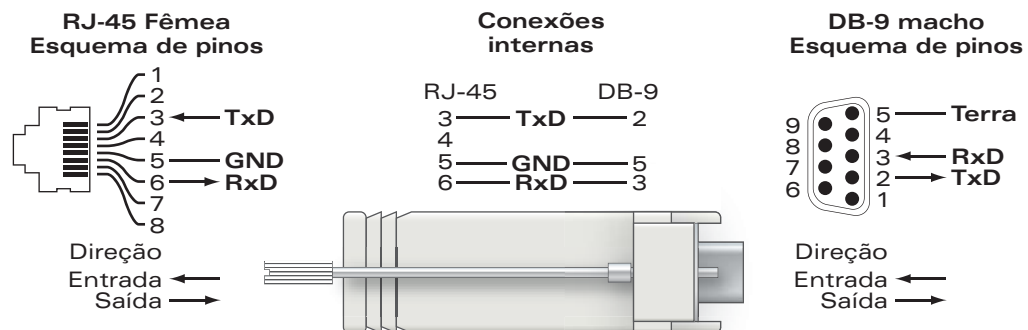


**Cuidado:** Não conecte um AP à porta serial do console. A porta serial do console é compatível somente com dispositivos RS-232. Não há suporte para dispositivos não-RS-232, como pontos de acesso.

## Adaptador da porta serial do console

Um adaptador modular pode ser usado para converter o conector RJ-45 (fêmea) em um conector DB9 (macho). Veja a [Figura 4](#) para saber os detalhes completos.

**Figura 4** Conversão do adaptador modular de RJ-45 (fêmea) para DB-9 (macho)



## Portas USB

A Série W-650 possui quatro interfaces USB 2.0. Essas interfaces permitem o uso de um modem EVDO/HSPDA, dispositivos de armazenamento em disco ou flash, ou uma impressora. Para obter mais informações sobre como configurar e usar dispositivos USB com a Série W-650, consulte o *ArubaOS User Guide*.

## Botão de ejeção de mídia

O controlador Série W-650 é equipado com um botão de ejeção de mídia, que permite que os usuários ejetem dispositivos de armazenamento com segurança e coloquem o sistema em standby. Quando o botão é pressionado, todos os dispositivos de mídia de armazenamento conectados ao Controlador via USB são desmontados. Impressoras e dispositivos EVDO não são afetados.

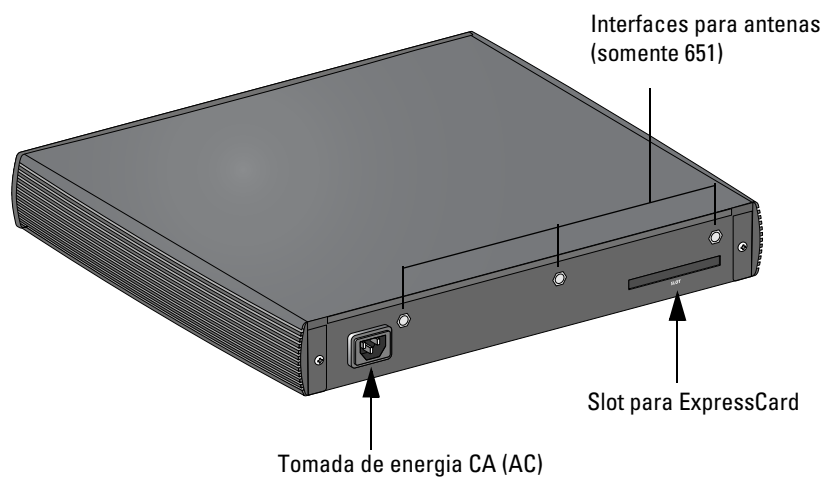
Pressionar o botão de ejeção de mídia muda o estado do controlador Série W-650. A tabela abaixo descreve os estados e os comportamentos do LED associado ao uso do botão de ejeção de mídia.

**Tabela 2** Comportamento do LED do botão de ejeção de mídia

Estado inicial	Estado do LED	Ação	LED de status	Função	LED de ação concluída
Mídia NAS em funcionamento	Verde sólido	Pressione o botão de ejeção de mídia por 1 a 5 segundos apenas	Âmbar piscando	Desmonte todas as mídias NAS	Âmbar sólido
Mídia NAS desmontada	Âmbar sólido	Pressione o botão de ejeção de mídia por 1 a 5 segundos apenas	Âmbar piscando	Monte todos os dispositivos NAS vinculados e retorne à operação totalmente funcional	Verde sólido
Em funcionamento	Verde sólido	Pressione o botão de ejeção de mídia por mais de 5 segundos apenas	Vermelho piscando	O controlador entrou em standby	Vermelho sólido
Funcionando com a mídia NAS desmontada	Âmbar sólido	Pressione o botão de ejeção de mídia por mais de 5 segundos apenas	Vermelho piscando	O controlador entrou em standby	Vermelho sólido
Em standby	Vermelho sólido	Pressione o botão de ejeção de mídia	Âmbar piscando	Despertar do controlador	Verde sólido

## Vista traseira

**Figura 5** Vista traseira da série W-650 (651 ilustrado)



## Tomada de energia CA (AC)

A Série W-650 oferece suporte à energia CA (AC), e a tomada de energia CA (AC) localizada na parte traseira do produto deve ser usada com um cabo de alimentação CA (AC) (específico do país). Consulte os detalhes das especificações de alimentação em [“Especificações de alimentação” na página 17](#).

## Slot para ExpressCard

O controlador Série W-650 é equipado com um slot para ExpressCard, que pode ser usado com um dispositivo EVDO.

## Interfaces para antenas (somente W-651)

O W-651 é equipado com um ponto de acesso (AP) interno. Esse ponto de acesso pode funcionar em faixas de frequência de 2,4 GHz e 5 GHz, nos modos a/b/g ou n. Cada aparelho possui três interfaces RP-SMA para acoplar as antenas fornecidas neste kit.

## LEDs indicadores de status

**Tabela 3** LEDs indicadores de status da Série W-650

LED	Identificação	Função	Indicador	Status
Alimentação	POWER	Indicador de status da alimentação de entrada	Aceso (verde sólido)	Alimentação ativada
			Apagado	Sem alimentação
Status	STATUS	Indicador de status do módulo	Aceso (verde sólido)	Dispositivo em operação
			Aceso (vermelho sólido)	Dispositivo com falha ou em standby
			Aceso (âmbar sólido)	O dispositivo está carregando o software
			Apagado	Sem alimentação
Portas 1000Base-X (SFP)	LNK/ACT	Indicador de status da conexão	Aceso (verde sólido)	Conexão estabelecida
			Aceso (verde piscando)	A porta está transmitindo ou recebendo dados
			Apagado	Porta sem conexão
Portas 10/100/1000Base-T	LNK/ACT	Indicador de status da conexão/atividade	Aceso (verde sólido)	Conexão estabelecida
			Aceso (verde piscando)	A porta está transmitindo ou recebendo dados
			Apagado	Porta sem conexão
	1000	Velocidade da interface	Aceso (verde sólido)	1000 Mbps
Apagado			10/100 Mbps	
Portas 10/100/1000Base-T com PoE	LINK/ACT	Indicador de status da conexão/atividade	Aceso (verde sólido)	Conexão estabelecida
			Aceso (verde piscando)	A porta está transmitindo ou recebendo dados
			Apagado	Porta sem conexão

**Tabela 3** LEDs indicadores de status da Série W-650

LED	Identificação	Função	Indicador	Status
	PoE	Indicador de status do PoE	Aceso (verde sólido)	PoE fornecido
			Aceso (âmbar sólido)	O dispositivo conectado solicitou PoE, mas o PoE não está sendo fornecido pela porta
			Apagado	PoE não fornecido
Ponto de acesso 802.11 a/b/g/n (somente W-651)	WLAN	Status do ponto de acesso	Aceso (âmbar sólido)	Rádio ativado no modo WLAN
			Aceso (verde sólido)	Rádio ativado no modo 802.11n
			Aceso (verde piscando)	Modo de monitor de ar
			Apagado	Rádio desativado

### Requisitos de pré-instalação

As ferramentas e equipamentos a seguir são necessários para a instalação de um controlador Série W-650.

- Suporte para montagem em rack (x2, não usado para instalação sobre a mesa)
- Chaves de fenda adequadas
- Cabo de alimentação CA (AC) (específico do país)
- Engastes laterais esquerdo e direito (não usados na montagem em rack)



---

**Aviso:** Antes de executar o procedimento a seguir, reveja as instruções de segurança fornecidas com o Controlador.

---

#### Para um rack de telecomunicações:

- Parafusos de cabeça chata M3, de 6 mm x 0,5 mm, Phillips (6 fornecidos)
- Parafusos de cabeça chata de Phillips de 12-24 x 5/8" (4 fornecidos)

#### Para um rack de servidores:

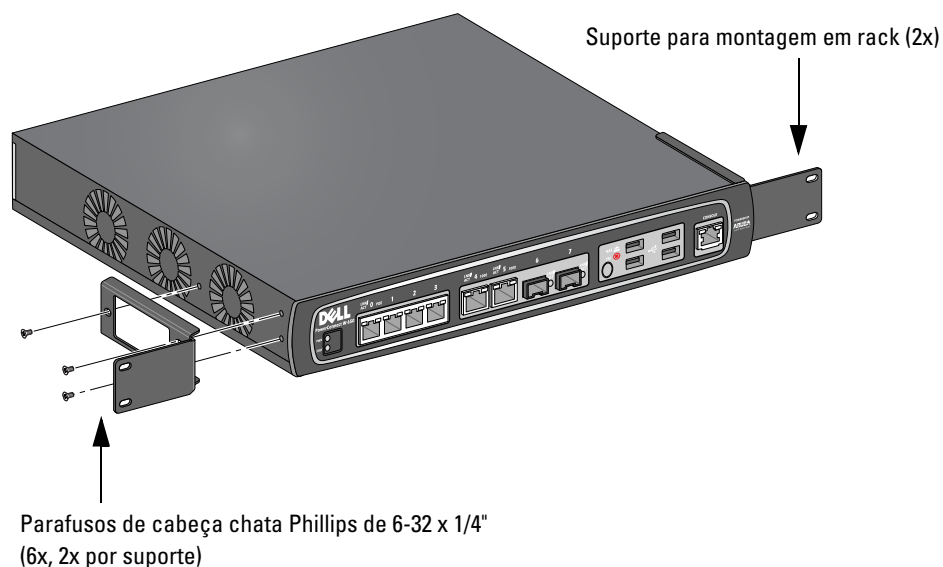
- Parafusos de cabeça chata M3, de 6 mm x 0,5 mm, Phillips (6 fornecidos)
- Parafusos M6 x 20 mm Phillips (4 fornecidos)
- Porcas gaiola M6 (4 fornecidas) ou braçadeiras gaiola M6 (4 fornecidas)

### Instalação em um rack de telecomunicações

Para instalar um controlador Série W-650 em um sistema de rack de telecomunicações de 19 polegadas (48,26 cm):

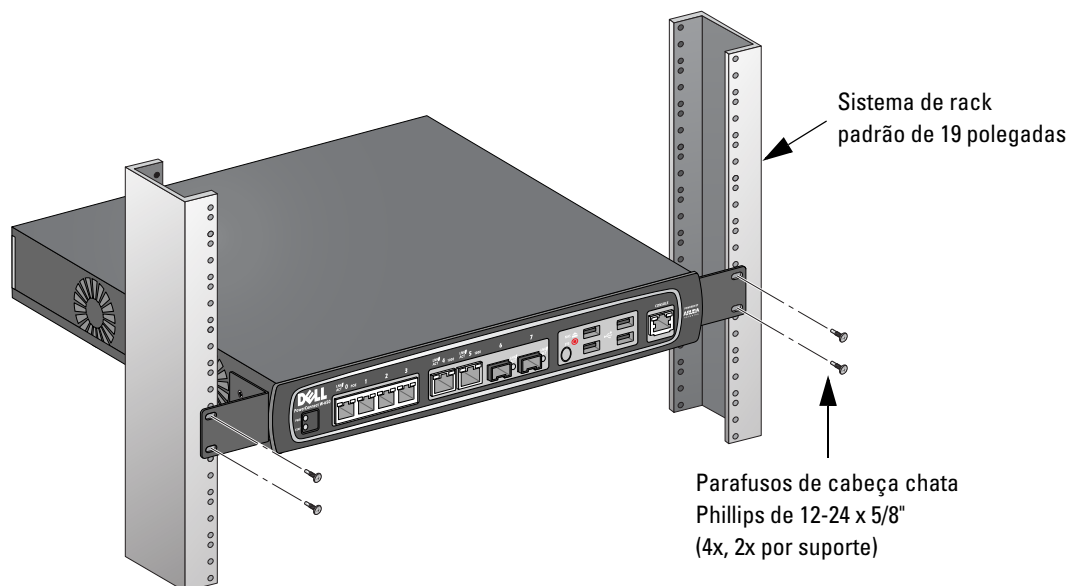
1. Coloque um suporte para montagem em rack sobre os orifícios de montagem em um lado do controlador (veja a [Figura 6](#)).
2. Fixe o suporte ao controlador usando três parafusos de cabeça chata Phillips M3 de 6 mm x 0,5 mm e uma chave de fenda adequada.
3. Repita estas etapas no lado oposto do controlador.

**Figura 6** Suportes para montagem em rack



4. Monte o controlador dentro do sistema de rack da sua empresa usando os quatro parafusos de cabeça chata Phillips de 12-24 x 5/8" e uma chave de fenda adequada (veja a [Figura 7](#)).

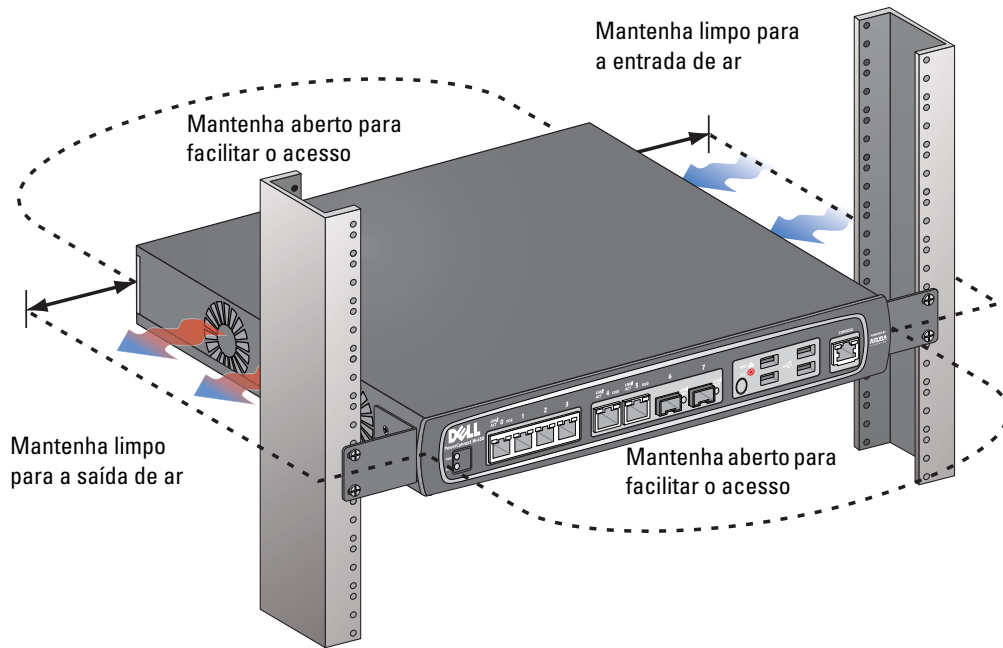
**Figura 7** Instalação com montagem em rack



5. Deixe um espaço mínimo de 10 cm nos lados esquerdo e direito do produto para permitir o fluxo de ar e a ventilação de maneira adequada (veja a [Figura 8](#)).
6. Deixe um espaço adicional nas partes frontal e traseira do produto para acessar os cabos de alimentação, os cabos de rede e os LEDs indicadores de status (veja a [Figura 8](#)).



**Figura 8** Requisitos de fluxo de ar



7. Conecte o cabo de alimentação CA (AC), específico do país, à parte traseira do produto.
8. Conecte a extremidade oposta do cabo de alimentação a uma tomada elétrica para alimentar o controlador.



**Nota:** O Controlador Série W-650 não possui um interruptor para ligar ou desligar o equipamento. A alimentação fornecida ao equipamento é controlada pela conexão e desconexão do cabo de alimentação de uma tomada elétrica.

## Instalação em um rack de servidores

Para instalar um controlador Série W-650 em um sistema de rack de servidores de 19 polegadas (48,26 cm):



**Nota:** As instruções a seguir descrevem a instalação do Controlador em um rack com furos quadrados não rosqueados. Para um rack com furos redondos não rosqueados, use as roscas de fixação fornecidas.

1. Coloque um suporte para montagem em rack sobre os orifícios de montagem em um lado do controlador (veja a [Figura 6](#)).
2. Fixe o suporte ao controlador usando três parafusos de cabeça chata Phillips M3 de 6 mm x 0,5 mm e uma chave de fenda adequada.
3. Repita estas etapas no lado oposto do controlador.
4. Instale as quatro porcas de fixação.

*Para instalar a porca gaiola com uma ferramenta de instalação de porcas gaiola:*

- a. Comece inserindo o lábio inferior da porca gaiola sobre a parte inferior da abertura quadrada da parte traseira do trilho.
- b. Insira a extremidade pequena da ferramenta de instalação de porcas gaiola na abertura do trilho (pela parte frontal) e enganche a ferramenta no lábio superior da porca gaiola.
- c. Empurre a porca gaiola para o trilho enquanto gira a ferramenta para cima e puxe a ferramenta para trás, em sua direção, até que o lábio superior da porca gaiola encaixe na posição.

Para instalar a porca gaiola com uma chave de fenda de cabeça chata:

- a. Comece inserindo o lábio inferior da porca gaiola sobre a parte inferior da abertura quadrada da parte traseira do trilho.
  - b. Comprima o lábio superior da porca gaiola com uma chave de fenda de cabeça chata.
  - c. Com o lábio da porca gaiola comprimido, empurre-o totalmente para a abertura do trilho.
  - d. Solte a pressão da chave de fenda sobre a porca gaiola para fixá-la no lugar.
5. Monte o controlador dentro do sistema de rack da sua empresa usando os quatro parafusos de cabeça chata Phillips M6 x /20" e uma chave de fenda adequada.
  6. Deixe um espaço mínimo de 10 cm nos lados esquerdo e direito do produto para permitir o fluxo de ar e a ventilação de maneira adequada (veja a [Figura 8](#)).
  7. Deixe um espaço adicional nas partes frontal e traseira do produto para acessar os cabos de alimentação, os cabos de rede e os LEDs indicadores de status (veja a [Figura 8](#)).
  8. Conecte o cabo de alimentação CA (AC), específico do país, à parte traseira do produto.
  9. Conecte a extremidade oposta do cabo de alimentação a uma tomada elétrica para alimentar o controlador.



---

**Nota:** O Controlador Série W-650 não possui um interruptor para ligar ou desligar o equipamento. A alimentação fornecida ao equipamento é controlada pela conexão e desconexão do cabo de alimentação de uma tomada elétrica.

---

## Implantação sobre a mesa

Para implantar um controlador Série W-650 em uma superfície plana como, por exemplo, sobre uma mesa:

1. Insira os quatro pés de montagem de borracha no produto.
2. Acople os engastes laterais encaixando-os no lugar.
3. Coloque o produto em uma superfície plana e rígida.

## Configuração inicial e conectividade da rede

Depois de concluir a instalação física, execute a configuração inicial no controlador para configurar o endereço IP e outras informações básicas do sistema. Para obter instruções e detalhes completos, consulte o [ArubaOS Quick Start Guide](#).

## Remoção

Para remover um controlador Série W-650 de um sistema de rack de 19 polegadas (48,26 cm):

1. Desconecte a alimentação do controlador retirando o cabo de alimentação da tomada elétrica.
2. Desconecte todos os outros cabos ou dispositivos conectados ao Controlador.
3. Solte os quatro parafusos para montagem em rack que fixam o controlador ao sistema de rack da empresa.
4. Remova o controlador do sistema de rack.

### Especificações físicas

Dimensões do dispositivo (sem os suportes de montagem em rack)

- Altura: 1,5" (38 mm)
- Largura: 13,6" (346 mm)
- Profundidade: 8,9" (226 mm)

### Especificações de alimentação

- Tensão de entrada CA (AC): 100-240 V, entrada universal
- Frequência de entrada CA (AC): 50-60 Hz
- Consumo máximo de energia: 126 Watts
- Capacidade total do PoE: 78 Watts
- Capacidade total do PoE por porta: 19,5 Watts

### Especificações de operação

- Faixa de temperatura operacional: 0°C a 40°C (32°F a 104°F)
- Faixa de umidade operacional: 5% a 95% (UR), sem condensação

### Especificações de armazenamento

- Faixa de temperatura de armazenamento: 0°C a 50°C (32°F a 122°F)
- Faixa de umidade de armazenamento: 5% a 95% (UR), sem condensação

### Especificações do rádio sem fio (AP W-651 interno)

#### Tipo de ponto de acesso

- Rádio simples, MIMO 3x3 (Multiple-In, Multiple-Out) com velocidade de transmissão de dados de até 300 Mbps

#### Frequência operacional

- 2,4-2,5 GHz ou 5,150–5,950 GHz

#### Canais disponíveis

- Gerenciados pelo controlador de mobilidade, dependem do domínio regulamentar configurado

## Modulações

- 802.11b: Espectro de dispersão por sequência direta (DSSS – Direct Sequence Spread Spectrum)
- 802.11a/g: Multiplexação por divisão de frequência ortogonal (OFDM - Orthogonal Frequency Division Multiplexing)
- 802.11n: 802.11n draft 2.0

## Potência de transmissão

- Configurável em incrementos de 0,5 dBm

## Taxas de associação (Mbps)

- 802.11b: 11, 5,5, 2, 1 com fallback automático
- 802.11a/g: 54, 48, 36, 24, 18, 12, 9, 6 com fallback automático
- 802.11n: MCS0 - MCS15 (6,5 Mbps a 300 Mbps)

## Suporte para 802.11n de alto rendimento (HT – High-Throughput)

- HT 20
- HT 40

## Agregação de pacotes 802.11n

- A-MPDU
- A-MSDU

## Antena (AP interno W-651)

- Três interfaces RP-SMA para oferecer suporte a antenas externas (suporta até 3x3 MIMO com diversidade espacial)
- Três antenas omnidirecionais de banda dual AP-ANT-1B fornecidas

## Segurança e conformidade com as normas

A Dell fornece um documento multilíngue que contém restrições e informações adicionais sobre segurança e normas específicas do país para todos os produtos de hardware da Dell. O documento *Dell PowerConnect W-Series Safety, Environmental, and Regulatory Information* é fornecido com este produto.



**Cuidado:** O uso de controles ou ajustes de desempenho ou procedimentos diferentes dos especificados neste manual pode resultar na exposição à radiação perigosa.

Este produto está em conformidade com o capítulo 1 da norma 21 CFR, subcapítulo J, parte 1040.10, e com as normas IEC 60825-1: 1993, A1: 1997, A2: 2001, IEC 60825-2: 2000.

Para garantir a continuidade da conformidade com as normas de segurança para produtos com laser, somente módulos da classe 1 aprovados de nossos fornecedores autorizados devem ser instalados nos produtos da Dell.

## Dispositivo de classe B em conformidade com a FCC

Este equipamento foi testado e considerado em conformidade com os limites estabelecidos para dispositivos digitais de classe B, de acordo com a parte 15 das normas da FCC. Esses limites foram estabelecidos para garantir uma proteção razoável contra interferência prejudicial em instalações residenciais. Este equipamento gera, usa e pode radiar energia de radiofrequência e, se não instalado e utilizado de acordo com as instruções, pode causar interferência prejudicial às comunicações de rádio. Entretanto, não há garantias de que não ocorrerão interferências em determinadas instalações. Se este equipamento causar interferência prejudicial à recepção de rádio e televisão, o que pode ser determinado ligando e desligando o equipamento, o usuário é aconselhado a tentar corrigir a interferência com uma ou mais das seguintes medidas:

- Reoriente ou reposicione a antena receptora.
- Aumente a separação entre o equipamento e o receptor.
- Conecte o equipamento a uma tomada localizada em um circuito diferente daquele em que o receptor está conectado.
- Consulte o revendedor ou um técnico experiente em rádio/ TV para obter ajuda (podemos modificar esse aviso para aconselhar a busca por ajuda de um instalador profissional).

Para consultar a lista completa de normas específicas do país, fale com um representante da Dell.

## Declaração sobre a exposição à radiação de RF

Este equipamento está em conformidade com os limites de exposição à RF impostos pela FCC. Este equipamento deve ser instalado e utilizado a uma distância mínima de 35 cm entre o radiador e o seu corpo para operações sob 2,4 GHz e 5 GHz. Este transmissor deve ser instalado ou funcionar em conjunto com qualquer outra antena ou transmissor. Quando operado dentro da faixa de frequência de 5,15 a 5,25 GHz, este dispositivo deve ser restrito ao uso em ambientes internos para reduzir a possibilidade de interferência prejudicial com sistemas de satélite móvel co-canal.

### W-650

- EN 55022, Classe B
- EN 55024
- IEC/EN 60950
- Marca CE
- Marca cTUVus
- Certificação do Esquema CB

### W-651

- FCC 15.247/15.407
- Diretiva EU R&TTE 1999/5/EC (EN 300 328, EN 301 893, EN 301 489)
- Diretiva EU LV 2006/95/EC
- IEC/EN 60950
- Marca CE
- Marca cTUVus
- Certificação do Esquema CB

Para consultar a lista completa de normas específicas do país, fale com um representante da Dell.

## Informações sobre a NOM (somente para o México)

As informações a seguir são fornecidas no dispositivo descrito neste documento em conformidade com os requisitos das normas oficiais do México (NOM):

Importador: Dell Inc. de Mexico, S.A. de C.V.  
Paseo de la Reforma 2620-11° Piso  
Col. Lomas Atlas  
11950 Mexico, D.F.

Número do modelo: 650/651

- Tensão de alimentação: 100-240 V CA (AC)
- Frequência: 47-63 Hz
- Consumo de corrente: 2,0 A

## Descarte adequado dos equipamentos da Dell

Para obter informações mais atualizadas sobre a conformidade com o meio ambiente global e os produtos da Dell, consulte o documento *Dell PowerConnect W-Series Safety, Environmental, and Regulatory Information* fornecido com este produto ou visite nosso site em [www.dell.com](http://www.dell.com).

## RoHS da União Europeia



Os produtos da Dell também estão em conformidade com a Diretiva 2002/95/EC da União Europeia sobre substâncias prejudiciais (RoHS). A diretiva RoHS da União Europeia restringe o uso de materiais abrasivos específicos na fabricação de equipamentos elétricos e eletrônicos. Especificamente, os materiais restritos sob a Diretiva RoHS são chumbo (incluindo soldas utilizadas em placas de circuitos impressos), cádmio, mercúrio, cromo hexavalente e bromo. Alguns produtos da Dell estão sujeitos às isenções listadas no anexo 7 da Diretiva RoHS (chumbo em soldas utilizadas em placas de circuitos impressos). Os produtos e embalagens serão marcados com o rótulo “RoHS” ilustrado à esquerda para indicar a conformidade com essa diretiva.

# **Dell PowerConnect W-650 Denetleyici**

## Kurulum Kılavuzu



## **Telif Hakkı**

© 2010 Aruba Networks, Inc. AirWave®, Aruba Networks®, Aruba Mobility Management System®, ve diğer tescilli markalar Aruba Networks, Inc.'nin ticari markalarıdır. Dell™, DELL™ logosu ve PowerConnect™ Dell Inc.'nin ticari markalarıdır.

Her hakkı saklıdır. Bu el kitabındaki spesifikasyonlar haber verilmeksizin değiştirilebilir.

Menşei ABD'dir. Bu el kitabında geçen diğer tüm ticari markalar ilgili şirketlerin kendi mülkiyetindedir.

## **Açık Kaynak Kodu**

Belli başlı Aruba ürünleri, GNU Genel Kamu Lisansı (GPL), GNU Kısıtlı Genel Kamu Lisansı (LGPL) veya diğer Açık Kaynak Lisanslarına tabi yazılım kodları dahil olmak üzere, üçüncü taraflarca geliştirilmiş Açık Kaynak yazılım kodları içerir. Açık Kaynak koduna şu siteden ulaşılabilir:

[http://www.arubanetworks.com/open\\_source](http://www.arubanetworks.com/open_source)

## **Yasal Uyarı**

Aruba Networks, Inc. anahtarlama platformları ve yazılımlarının herhangi bir birey veya şirket tarafından başka satıcıların VPN istemci cihazlarını sonlandırmak amacıyla kullanılması eyleminden doğacak sorumluluk tamamıyla ilgili birey veya şirketin kendisine aittir ve bu eylemde bulunan birey veya şirket, ilgili satıcılar adına telif hakkı ihlalinin dolaylı Aruba Networks, Inc. aleyhine açılacak her türlü hukuk davası bakımından tam tazmin yükümlülüğü altında olacaktır.



# İçindekiler

<b>Önsöz</b> .....	<b>5</b>
Genel Bakış .....	5
İlgili Belgeler .....	5
Dell ile İletişim .....	5
<b>Bölüm 1</b> <b>W-650 Serisi Denetleyici Hakkında</b> .....	<b>7</b>
Minimum Yazılım Gereksinimleri .....	7
Ambalaj Kontrol Listesi .....	7
Donanım Modeline Genel Bakış .....	8
Önden Görünüm .....	8
1000Base-X (SFP) Portları .....	8
10/100/1000Base-T Gigabit Ethernet Portları .....	8
Seri Konsol Portu .....	9
Seri Konsol Portu Bağdaştırıcısı .....	9
USB portları .....	9
Ortam Çıkarma Düğmesi .....	10
Arkadan Görünüm .....	10
AC Güç Girişi .....	11
ExpressCard Slotu .....	11
Anten Arabirimleri (Yalnızca W-651) .....	11
LED Durum Göstergeleri .....	11
<b>Bölüm 2</b> <b>W-650 Serisi Kurulumu</b> .....	<b>13</b>
Kurulum Öncesi Gereksinimler .....	13
Telekom Rafı için: .....	13
Sunucu Rafı için: .....	13
Telekom Rafına Kurulum .....	13
Sunucu Rafına Kurulum .....	15
Masaüstüne Yerleştirme .....	16
Başlangıç Ayarları ve Ağ Bağlanırlığı .....	16
Sökme .....	16
<b>Ek A</b> <b>Spesifikasyonlar, Güvenlik ve Uygunluk</b> .....	<b>17</b>
Fiziki Spesifikasyonlar .....	17
Güç Spesifikasyonları .....	17
Çalıştırma Spesifikasyonları .....	17
Saklama Spesifikasyonları .....	17
Kablosuz Radyo Spesifikasyonları (W-651 Dahili AP) .....	17
AP türü .....	17
Çalıştırma Frekansı .....	17
Kullanılabilir Kanallar .....	17
Modülasyonlar .....	17
Verici Gücü .....	18
İlişkilendirme Hızları (Mbps) .....	18
802.11n Yüksek Veri Hacmi (HT) Desteği .....	18
802.11n Paket Toplama .....	18

Anten (W-651 Dahili AP) .....	18
Güvenlik ve Yönetmelikler Yönünden Uygunluk.....	18
FCC Sınıf B Cihaz .....	19
RF Radyasyona Maruz Kalma Bildirimi.....	19
W-650.....	19
W-651.....	19
NOM Bilgileri (Yalnızca Meksika için).....	20
Dell Ekipmanının Doğru İmhası .....	20
Avrupa Birliği RoHS (Tehlikeli Maddelerin Kısıtlanması) .....	20

Bu önsöz şu bilgileri içerir:

- Bu el kitabının içeriğine genel bakış
- Daha ayrıntılı bilgi edinmek için okunabilecek belgelerin listesi
- Destek ve servis bilgileri

## Genel Bakış

- [Sayfa 7, Bölüm 1 “W-650 Serisi Denetleyici Hakkında”](#), W-650 Serisi donanımına ayrıntılı bir genel bakış sunar.
- [Sayfa 13, Bölüm 2 “W-650 Serisi Kurulumu”](#), rafı montaj ve kurulum talimatlarını içerir.
- [Sayfa 17, Ek A “Spesifikasyonlar, Güvenlik ve Uygunluk”](#), ürün teknik spesifikasyonlarını, güvenlik ve yönetmelikler yönünden uygunluk bilgilerini içerir.

## İlgili Belgeler

Bu kılavuzda aşağıdaki belgelere atıfta bulunmaktadır. Söz konusu belgeler, Dell Mobilite Denetleyicisinin başarılı bir şekilde kurulması için gereken belgeler toplamının bir parçası olarak kabul edilmektedir.

- *Dell PowerConnect ArubaOS 5.0 Hızlı Başlangıç Kılavuzu*
- *Dell PowerConnect ArubaOS 5.0 Kullanım Kılavuzu*
- *Dell PowerConnect ArubaOS 5.0 Komut Satırı Referansı*

## Dell ile İletişim

Web Sitesi Desteği	
Ana Site	<a href="http://www.dell.com">www.dell.com</a>
Destek Sitesi	<a href="http://support.dell.com">support.dell.com</a>
Belgeler	<a href="http://support.dell.com/manuals">support.dell.com/manuals</a>
Yazılım	<a href="https://download.dell-pcw.com">https://download.dell-pcw.com</a>



Dell PowerConnect W-650 Serisi denetleyici, kurumsal sınıf bir kablosuz LAN denetleyicisidir. Bu denetleyici, kablosuz Erişim Noktalarını (AP'ler) ve Hava İzleme Aygıtlarını (AM'ler) kablolu bir LAN sistemine bağlamaya, denetlemeye ve entegre etmeye yarar.

- W-650, 16 harici yerleşke bağlantılı AP'yi destekleme yeteneğine sahiptir.
- W-651, tekli dahili AP'sine ek olarak, en fazla 16 harici yerleşke AP'sini destekleme yeteneğine sahiptir.

## Minimum Yazılım Gereksinimleri

W-650 Serisi Denetleyici, ArubaOS 5.0.2 veya üzeri bir sürüm gerektirir.



**Not:** Ana denetleyici, onun yedeği olan denetleyici ve tüm yerel denetleyiciler aynı ArubaOS kodunda çalıştırılmalıdır. Ağınız yükseltildikten ve W-650 Serisi Mobilite Denetleyicisi ağınıza kurulduktan sonra, denetleyicinin üzerindeki yazılım sürümünün ağına geri kalanı ile uyumunu doğrulayın.

## Ambalaj Kontrol Listesi

- W-650 Serisi Mobilite Denetleyicisi
- AC Güç Kablosu (ülkeye özgü)
- Rafa Montaj Braketleri
- Sunucu ve Telekom Raf Sistemleri için Rafa Montaj Donanımı
- Sol Oluk (takılı değildir)
- Sağ Oluk (takılı değildir)
- Kauçuk Ayaklar (masaüstü yerleşimleri için)
- Düz Seri Kablo (RJ-45)
- Seri Kablo Port Bağdaştırıcısı (RJ-45'ten DB9'a)
- Çift bant, Yüksek kazançlı, Çok yönlü Ayrılabilir Antenler (3x)
- *Dell PowerConnect ArubaOS Hızlı Başlangıç Kılavuzu*
- *Son Kullanıcı Lisans Sözleşmesi (EULA)*
- *Güvenlik, Çevre ve Yönetmelik Bilgileri (SERI)* belgesi
- *Garanti ve Destek Bilgileri (WSI)* belgesi

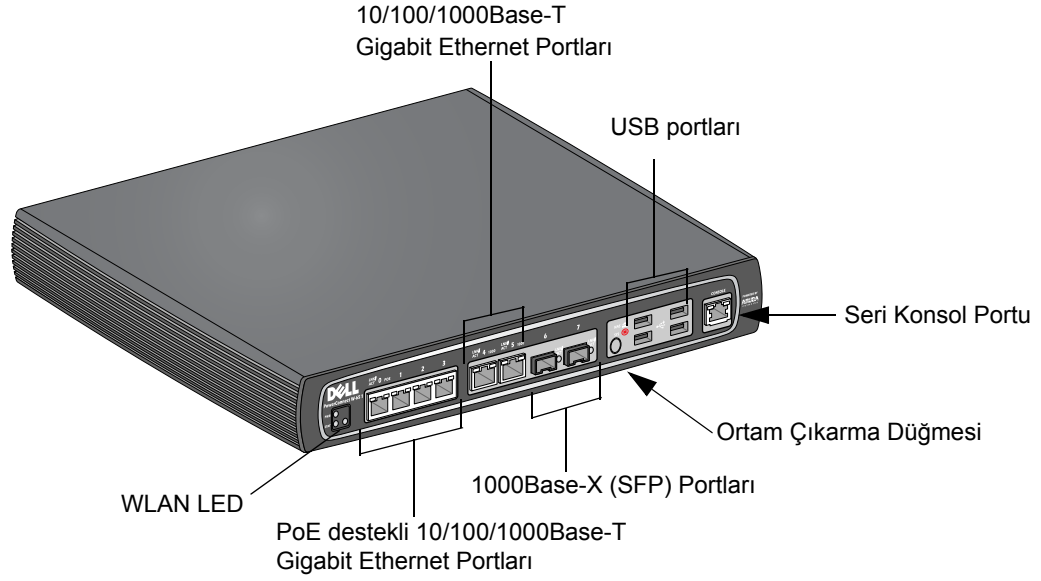


**Not:** Yanlış, eksik veya hasarlı parçalarla ilgili olarak tedarikçinizi bilgilendirin. Mümkünse, orijinal ambalaj malzemelerini içeren karton kutuyu saklayın. İhtiyaç halinde üniteyi yeniden ambalajlayıp tedarikçinize geri göndermek için bu malzemeleri kullanın.

# Donanım Modeline Genel Bakış

## Önden Görünüm

Şekil 1 W-650 Serisi Önden Görünümü



### 1000Base-X (SFP) Portları

Yalnızca fiber bağlantı için dört adet 1000Base-X portu mevcuttur ve bunlar Dell W-Serisi SFP'ler (mini-GBIC'ler) ile kullanıma yöneliktir.


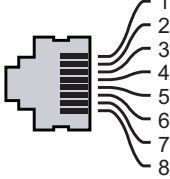
Uyumlu SFP modüllerini satın almadan önce, ayrıntılar ve yardım almak için Dell satış temsilcinizle görüşün.

**Not:** Dell, kendi denetleyici sistemlerinde Dell optiklerini test eder ve destekler. Üçüncü taraf optikleri test edilmez ve desteklenmez. Bu nedenle, Dell, üçüncü taraf optiklerin bir Dell sisteminde kullanıldığında düzgün çalışacağını garanti etmez.

### 10/100/1000Base-T Gigabit Ethernet Portları

W-650 Serisi üzerinde altı adet 10/100/1000Base-T Gigabit Ethernet (RJ-45) portu bulunur. Gigabit Ethernet, sekiz kablunun tamamını kullanır. Her bir çift iki yönlü olarak kullanılır, yani aynı çiftler hem veri iletimi hem de alımı için kullanılır. Şekil 2'de, RJ-45 konektör üzerinde bulunan CAT-5 pin bağlantıları gösterilmektedir. CAT-5 pin çiftleri bir 10/100/1000Base-T Gigabit Ethernet portu üzerinde şu pinlerle eşleşir: 1/2, 3/6, 4/5 ve 7/8.

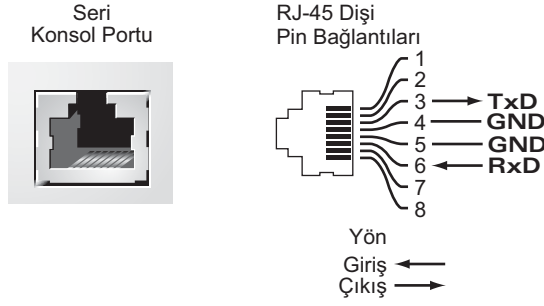
Şekil 2 Gigabit Ethernet Portu Pin Bağlantıları

1000Base-T Gigabit Ethernet Portu	RJ-45 Dişi Pin Bağlantıları	Sinyal Adı	İşlev
		1 BI_DA+	İki yönlü çift +A
		2 BI_DA-	İki yönlü çift -A
		3 BI_DB+	İki yönlü çift +B
		4 BI_DC+	İki yönlü çift +C
		5 BI_DC-	İki yönlü çift -C
		6 BI_DB-	İki yönlü çift -B
		7 BI_DD+	İki yönlü çift +D
		8 BI_DD-	İki yönlü çift -D

## Seri Konsol Portu

Sağlanan seri konsol portu kullanılarak doğrudan yerel yönetim için bir terminale bağlantı kurulabilir.

### Şekil 3 Seri Konsol Portu Pin Bağlantıları



Seri port için iletişim ayarları [Tablo 1](#)'de gösterilmiştir.

**Tablo 1** Konsol Terminal Ayarları

Baud Hızı	Veri Bitleri	Eşlik	Bitiş Bitleri	Akış Denetimi
9600	8	Yok	1	Yok

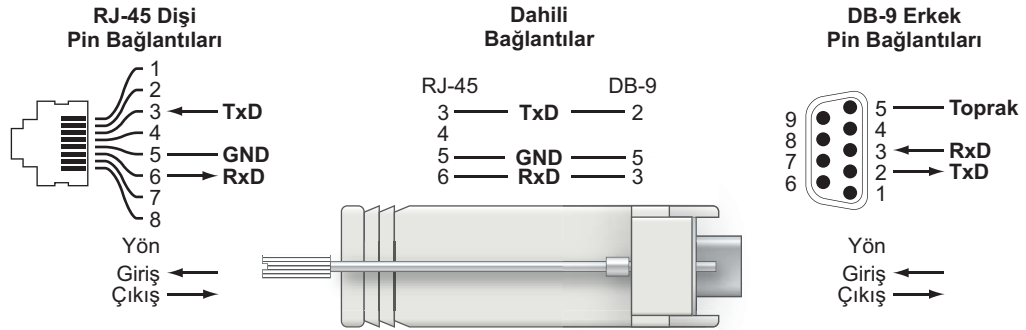


**Dikkat:** Seri konsol portuna AP bağlamayın. Seri konsol portu, yalnızca RS-232 cihazlarla uyumludur. AP'ler gibi RS-232 harici cihazlar desteklenmez.

## Seri Konsol Portu Bağdaştırıcısı

RJ-45 (dişi) konnektörü DB9 (erkek) konnektöre dönüştürmek için bir modüler bağdaştırıcı kullanılabilir. Ayrıntıların tamamı için [Şekil 4](#)'e bakın.

### Şekil 4 RJ-45'i (dişi) Modüler Bağdaştırıcı ile DB9'a (erkek) Dönüştürme



## USB portları

W-650 Serisi, dört adet USB 2.0 arabirimine sahiptir. Bu arabirimler, EVDO/HSPDA modem, flash veya disk depolama aygıtları veya yazıcı kullanımına olanak tanır. W-650 Serisi ile USB aygıtlarının yapılandırılması ve kullanımı ile ilgili daha fazla bilgi için *ArubaOS Kullanım Kılavuzu*'na bakın.

## Ortam Çıkarma Düğmesi

W-650 Serisi üzerinde, kullanıcıların depolama aygıtlarını güvenli bir şekilde çıkarmalarına ve sistemi bekleme durumuna geçirmelerine olanak tanıyan bir ortam çıkarma düğmesi bulunur. USB arabirimi yoluyla denetleyiciye takılan depolama ortamı aygıtları bu düğmeye basılarak çıkarılabilir. Yazıcılar ve EVDO cihazları bundan etkilenmez.

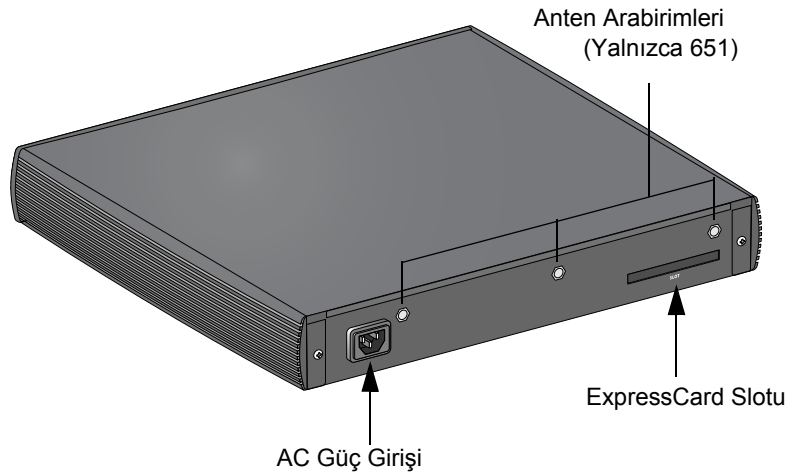
Ortam çıkarma düğmesine basmak, W-650 Serisinin durumunu değiştirir; ortam çıkarma düğmesinin kullanılmasıyla ilişkili durumlar ve LED davranışları aşağıdaki tabloda açıklanmıştır.

**Tablo 2** Ortam Çıkarma Düğmesi LED Davranışları

İlk Durum	LED Durumu	Eylem	Durum LED'i	İşlev	LED Eylemi Tamamlandı
NAS Ortamı Çalışır Durumda	Doğgun yeşil	Ortam çıkarma düğmesini yalnızca 1 ila 5 saniye basılı tutun	Yanıp sönen kehribar rengi	Tüm NAS ortamlarını çıkarma	Doğgun kehribar rengi
NAS Ortamı Takılı Değil	Doğgun kehribar rengi	Ortam çıkarma düğmesini yalnızca 1 ila 5 saniye basılı tutun	Yanıp sönen kehribar rengi	Tüm bağlı NAS aygıtlarını takma ve tam işlevsel çalışmaya döndürme	Doğgun yeşil
Çalışır durumda	Doğgun yeşil	Ortam çıkarma düğmesini yalnızca 5 saniyeden uzun basılı tutun	Yanıp sönen kırmızı	Denetleyiciyi Bekleme durumuna geçirme	Doğgun kırmızı
NAS Ortamı takılı olmadan çalışma	Doğgun kehribar rengi	Ortam çıkarma düğmesini yalnızca 5 saniyeden uzun basılı tutun	Yanıp sönen kırmızı	Denetleyiciyi Bekleme durumuna geçirme	Doğgun kırmızı
Beklemede	Doğgun kırmızı	Ortam çıkarma düğmesine basın	Yanıp sönen kehribar rengi	Denetleyiciyi uyarma	Doğgun yeşil

## Arkadan Görünüm

**Şekil 5** W-650 Serisi Arkadan Görünümü (651 Gösterilmektedir)





## AC Güç Girişi

W-650 Serisi, entegre AC güç beslemesini destekler ve ünitenin arkasında bulunan AC güç girişi bir AC güç kablosu (ülkeye özgü) ile kullanım içindir. Ayrıntılı güç spesifikasyonları için bkz. [Sayfa 17 “Güç Spesifikasyonları”](#).

## ExpressCard Slotu

W-650 Serisi üzerinde, bir EVDO cihazı ile kullanılacak bir ExpressCard slotu bulunur.

## Anten Arabirimleri (Yalnızca W-651)

W-651 üzerinde bir dahili Erişim Noktası (AP) bulunur. Bu AP, a/b/g veya n modlarında 2,4 GHz ve 5 GHz bantlarında çalışabilir. Her bir cihaz, kit içerisinde yer alan antenlerin takılması için üç adet RP-SMA arabirimine sahiptir.

## LED Durum Göstergeleri

**Tablo 3** W-650 Serisi LED Durum Göstergeleri

LED	Etiket	İşlev	Gösterge	Durum
Güç	POWER	Giriş Gücü Durum Göstergesi	Açık (Doygun Yeşil)	Güç açık
			Kapalı	Güç Yok
Durum	STATUS	Modül Durum Göstergesi	Açık (Doygun Yeşil)	Cihaz çalışır durumda
			Açık (Doygun Kırmızı)	Cihaz arızalı veya Beklemede
			Açık (Doygun Kehribar Rengi)	Cihaz yazılımı yükleniyor
			Kapalı	Güç yok
1000Base-X Portları (SFP)	LNK/ACT	Bağlantı Durum Göstergesi	Açık (Doygun Yeşil)	Bağlantı kuruldu
			Açık (Yanıp Sönen Yeşil)	Port veri gönderiyor veya alıyor
			Kapalı	Port üzerinde bağlantı yok
10/100/1000Base-T Portları	LNK/ACT	Bağlantı/Etkinlik Durum Göstergesi	Açık (Doygun Yeşil)	Bağlantı kuruldu
			Açık (Yanıp Sönen Yeşil)	Port veri gönderiyor veya alıyor
			Kapalı	Port üzerinde bağlantı yok
	1000	Arabirim Hızı	Açık (Doygun Yeşil)	1000 Mbps
			Kapalı	10/100 Mbps
10/100/1000Base-T Portları PoE destekli	LINK/ACT	Bağlantı/Etkinlik Durum Göstergesi	Açık (Doygun Yeşil)	Bağlantı kuruldu
			Açık (Yanıp Sönen Yeşil)	Port veri gönderiyor veya alıyor
			Kapalı	Port üzerinde bağlantı yok
	PoE	PoE Durum Göstergesi	Açık (Doygun Yeşil)	PoE sağlanıyor
			Açık (Doygun Kehribar Rengi)	Takılı aygıt PoE isteğinde bulundu, ancak port PoE sağlamıyor
			Kapalı	PoE sağlanmıyor

**Tablo 3** W-650 Serisi LED Durum Göstergeleri

LED	Etiket	İşlev	Gösterge	Durum
802.11 a/b/g/n AP (Yalnızca W-651)	WLAN	AP Durumu	Açık (Doygun Kehribar Rengi)	WLAN modunda radyo etkin
			Açık (Doygun Yeşil)	802.11n modunda radyo etkin
			Açık (Yanıp Sönen Yeşil)	Hava izleme aygıtı modu
			Kapalı	Radyo devre dışı

## Kurulum Öncesi Gereksinimler

Bir W-650 Serisi denetleyicinin kurulumu için şu araç ve ekipmanlara ihtiyaç vardır.

- Rafa Montaj Braketi (x2, masaüstü kurulumunda kullanılmaz)
- Uygun Tornavidalar
- AC Güç Kablosu (ülkeye özgü)
- Sol ve sağ yan olukları (rafa montaj için kullanılmaz)



**Uyarı:** Aşağıdaki prosedürü uygulamadan önce, denetleyici ile birlikte verilen güvenlik talimatlarını gözden geçirin.

### Telekom Rafı için:

- M3, 6mm x 0.5mm Phillips Başlı Vidalar (6x, dahildir)
- 12-24 x 5/8" Phillips Başlı Vidalar (4x, dahildir)

### Sunucu Rafı için:

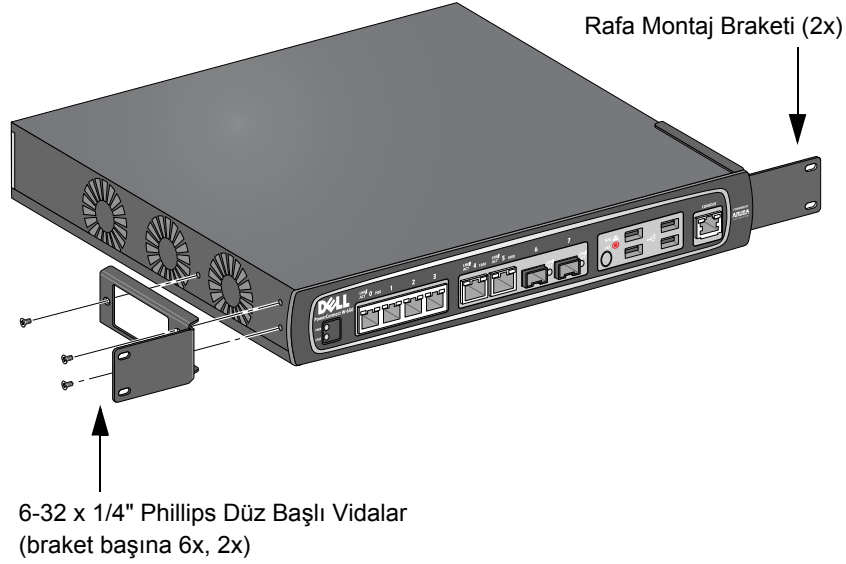
- M3, 6mm x 0.5mm Phillips Başlı Vidalar (6x, dahildir)
- M6 x 20mm Phillips Başlı Vida (4x, dahildir)
- M6 Kafes Somunları (4x, dahildir) veya M6 Kafes Klipsleri (4x, dahildir)

## Telekom Rafına Kurulum

Bir W-650 Serisi denetleyiciyi 48,26 cm'lik bir Telekom raf sistemine kurmak için:

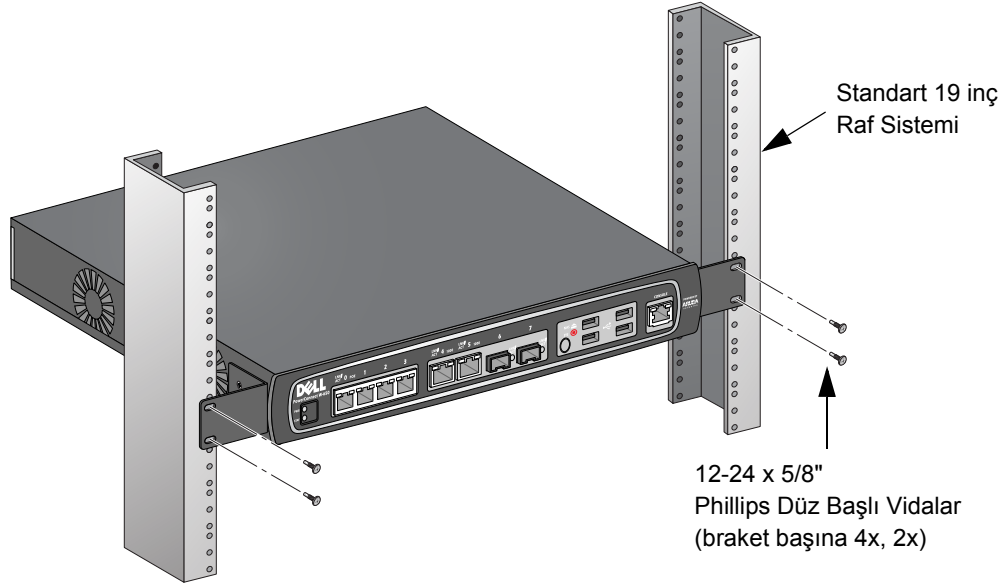
1. Denetleyicinin yanında bulunan montaj deliklerinin üzerine bir rafa montaj braketi yerleştirin (bkz. [Şekil 6](#)).
2. Üç adet M3, 6 mm x 0,5 mm phillips başlı vida ve uygun bir tornavida yardımıyla braketi denetleyiciye sabitleyin.
3. Aynı adımları denetleyicinin diğer yanında da uygulayın.

## Şekil 6 Rafa Montaj Braketleri



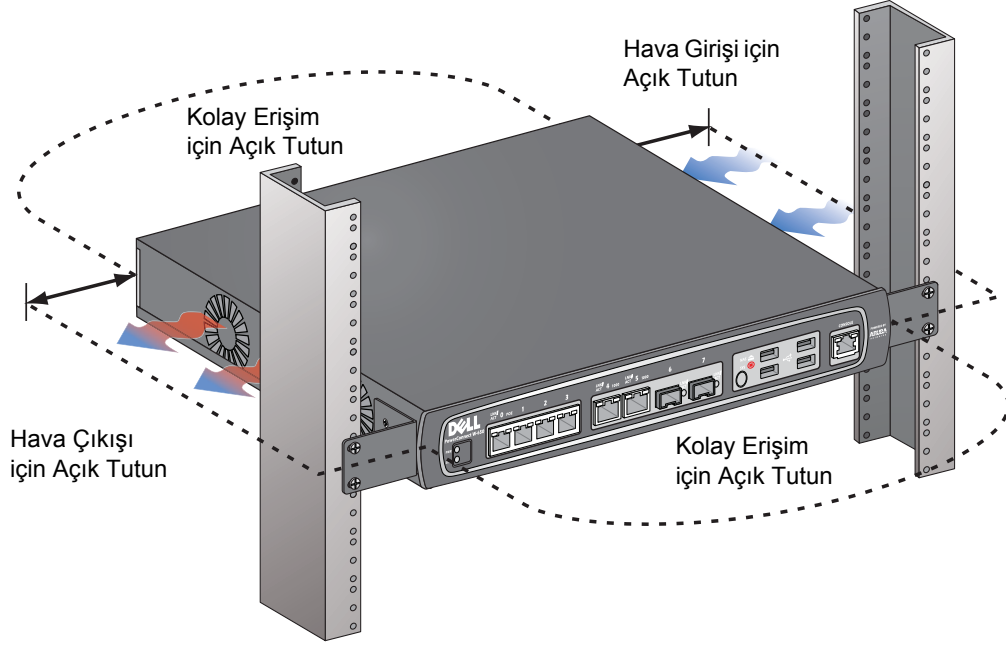
4. Dört adet 12-24 x 5/8" phillips başlı vida ve uygun bir tornavida yardımıyla denetleyiciyi kuruluşunuzun raf sistemi içerisine monte edin (bkz. [Şekil 7](#)).

## Şekil 7 Rafa Montaj Kurulumu



5. Uygun hava akışı ve havalandırma için ünitenin sol ve sağ taraflarında minimum 10 cm'lik boşluk bırakın (bkz. [Şekil 8](#)).
6. Güç kablolarına, ağ kablolarına ve LED durum göstergelerine erişebilmek için ünitenin ön ve arka bölümlerinde fazladan boşluk bırakın (bkz. [Şekil 8](#)).

## Şekil 8 Hava Akışı Gereksinimleri



7. AC güç kablosunu (ülkeye özgü) ünitenin arkasına bağlayın.
8. Denetleyiciye güç beslenebilmesi için güç kablosunun diğer ucunu bir elektrik prizine bağlayın.



**Not:** W-650 Serisi denetleyici, üniteye beslenen gücü açıp kapatmak için bir düğmeye sahip değildir. Üniteye beslenen gücün denetlenmesi, güç kablosunun fişi bir elektrik prizine takılarak veya prizden çıkarılarak sağlanır.

## Sunucu Rafına Kurulum

Bir W-650 Serisi denetleyiciyi 48,26 cm'lik bir raf sistemine kurmak için:



**Not:** Aşağıdaki talimatlarda, denetleyicinizi yivsiz, kare delikli bir rafa nasıl kuracağınız tarif edilmektedir. Yivsiz, yuvarlak delikli bir raf için, sağlanan klipsli somunları kullanın.

1. Denetleyicinin yanında bulunan montaj deliklerinin üzerine bir rafa montaj braketi yerleştirin (bkz. Şekil 6).
2. Üç adet M3, 6 mm x 0,5 mm phillips başlı vida ve uygun bir tornavida yardımıyla braketi denetleyiciye sabitleyin.
3. Aynı adımları denetleyicinin diğer yanında da uygulayın.
4. Dört adet kafes somununu takın.

*Kafes somununu bir kafes somunu kurulum aracıyla takmak için:*

- a. Kafes somununun alt kenarını rafın arkasında bulunan kare şeklindeki açıklığın alt kısmının üzerinden geçirerek başlayın.
- b. Kafes somunu kurulum aracının küçük ucunu raftaki açıklıktan (önden) geçirin ve aracı kafes somununun üst kenarına asın.
- c. Kafes somununun üst kenarı yerine geçinceye kadar, aracı yukarı doğru döndürüp bir yandan kendinize doğru geri çekerken kafes somununu rafa doğru içeri bastırın.

*Kafes somununu düz ağızlı bir tornavida yardımıyla takmak için:*

- a. Kafes somununun alt kenarını rafın arkasında bulunan kare şeklindeki açıklığın alt kısmının üzerinden geçirerek başlayın.
  - b. Kafes somununun üst kenarını düz ağızlı bir tornavida yardımıyla sıkıştırın.
  - c. Kenar sıkıştırıldığında, kafes somununun kenarını tamamen ray üzerindeki açıklığın içine itin.
  - d. Kafes somununun yerine geçmesi için üzerindeki tornavida baskısını serbest bırakın.
5. Dört adet M6 x 20 mm phillips başlı vida ve uygun bir tornavida yardımıyla denetleyiciyi kuruluşunuzun raf sistemi içerisine monte edin.
  6. Uygun hava akışı ve havalandırma için ünitenin sol ve sağ taraflarında minimum 10 cm'lik boşluk bırakın (bkz. [Şekil 8](#)).
  7. Güç kablolarına, ağ kablolarına ve LED durum göstergelerine erişebilmek için ünitenin ön ve arka bölümlerinde fazladan boşluk bırakın (bkz. [Şekil 8](#)).
  8. AC güç kablosunu (ülkeye özgü) ünitenin arkasına bağlayın.
  9. Denetleyiciye güç beslenebilmesi için güç kablosunun diğer ucunu bir elektrik prizine bağlayın.



**Not:** W-650 Serisi denetleyici, üniteye beslenen gücü açıp kapatmak için bir düğmeye sahip değildir. Üniteye beslenen gücün denetlenmesi, güç kablosunun fişi bir elektrik prizine takılarak veya prizden çıkarılarak sağlanır.

## Masaüstüne Yerleştirme

W-650 Serisi masaüstü gibi düz bir yüzeye yerleştirmek için:

1. Dört adet kauçuk montaj ayağını ünitenin altına takın.
2. Kenar oluklarını yerine geçirerek takın.
3. Üniteyi sert düz bir yüzey üzerine koyun.

## Başlangıç Ayarları ve Ağ Bağlanırlığı

Fiziksel kurulumun tamamlanmasının ardından, IP adresini ve diğer temel sistem bilgilerini yapılandırmak için denetleyici üzerinde başlangıç ayarlarını yapın. Eksiksiz ayrıntılar ve talimatlar için, *ArubaOS Hızlı Başlangıç Kılavuzu*'na bakın.

## Sökme

W-650 Serisi denetleyiciyi 48,26 cm'lik bir raf sisteminden sökmek için:

1. Elektrik kablosunun fişini elektrik prizinden çıkararak denetleyicinin güç bağlantısını kesin.
2. denetleyiciye bağlı başka kablolar veya cihazlar varsa bunların da bağlantılarını kesin.
3. Denetleyiciyi kuruluşunuzun raf sistemine sabitleyen dört adet rafa montaj vidasını gevşetin.
4. Denetleyiciyi raf sisteminden ayırın.

## Fiziki Spesifikasyonlar

Cihaz Boyutları (rafa montaj braketleri hariç)

- Yükseklik 38 mm
- Genişlik 346 mm
- Derinlik 226 mm

## Güç Spesifikasyonları

- AC Giriş Gerilimi: 100-240 V, Üniversal Giriş
- AC Giriş Frekansı: 50-60 Hz
- Maksimum güç tüketimi: 126 Watt
- Ethernet üzerinden güç toplam kapasite: 78 Watt
- Ethernet üzerinden güç port başına: 19,5 Watt

## Çalıştırma Spesifikasyonları

- Çalıştırma Sıcaklığı Aralığı: 0°C ila 40°C
- Çalıştırma Nemi Aralığı: %5 ila %95 (bağıl nem), yoğunlaşmayan

## Saklama Spesifikasyonları

- Saklama Sıcaklığı Aralığı: 0°C ila 50°C
- Çalıştırma Nemi Aralığı: %5 ila %95 (bağıl nem), yoğunlaşmayan

## Kablosuz Radyo Spesifikasyonları (W-651 Dahili AP)

### AP Türü

- Tek Radyo, 3x3 Çoklu Giriş Çoklu Çıkış (MIMO), 300 Mbps'ye varan veri hızı

### Çalıştırma Frekansı

- 2,4-2,5 GHz veya 5,150-5,950 GHz

### Kullanılabilir Kanallar

- Mobilite Denetleyicisi tarafından yönetilen, yapılandırılmış düzenleme alanına bağlı

### Modülasyonlar

- 802.11b: Düz Sıralı Dağınık Spektrum (DSSS)
- 802.11a/g: Dikey Frekans Bölmeli Çoklama (OFDM)
- 802.11n: 802.11n draft 2.0

## Verici Gücü

- 0,5 dBm'lik artışlarla yapılandırılabilir

## İlişkilendirme Hızları (Mbps)

- 802.11b: 11, 5.5, 2, 1 otomatik kurtarmalı
- 802.11a/g: 54, 48, 36, 24, 18, 12, 9, 6 otomatik kurtarmalı
- 802.11n: MCS0 - MCS15 (6,5 Mbps - 300 Mbps)

## 802.11n Yüksek Veri Hacmi (HT) Desteği

- HT 20
- HT 40

## 802.11n Paket Toplama

- A-MPDU
- A-MSDU

## Anten (W-651 Dahili AP)

- Harici anten desteği için üç RP-SMA arabirimi (uzaysal çeşitleme ile 3x3 MIMO'ya kadar destekleme)
- Üç adet AP-ANT-1B çok yönlü çift bant anten dahil

## Güvenlik ve Yönetmelikler Yönünden Uygunluk

Dell, tüm Dell donanım ürünleri için, birden fazla dilde ülkeye özgü kısıtlamaları ve ek güvenlik bilgileri ile yönetmelik bilgilerini içeren bir belge sunmaktadır. *Dell PowerConnect W-Serisi Güvenlik, Çevre ve Yönetmelik Bilgileri* belgesi bu ürün içeriğinde yer almaktadır.



**Dikkat:** Bu el kitabında belirtilenler dışındaki kontroller veya performans ayarları ya da prosedürlerin kullanılması, tehlikeli düzeyde radyasyona maruz kalınmasıyla sonuçlanabilir.

Bu ürün, 21 CFR Bölüm 1, Alt bölüm J, Kısım 1040.10'a ve IEC 60825-1: 1993, A1: 1997, A2: 2001, IEC 60825-2: 2000'e uygundur.

Yukarıdaki lazer güvenliği standartlarına devamlı uygunluk için, Dell ürünlerine yalnızca onaylı satıcılarımızdan alınacak onaylı Sınıf 1 modüller takılmalıdır.



## FCC Sınıf B Cihaz

Bu ekipman, FCC Kuralları Bölüm 15 uyarınca test edilmiş ve Sınıf B dijital cihazlara ilişkin sınırlara uygun olduğu saptanmıştır. Söz konusu sınırlar, yerleşim alanındaki bir kurulumda zararlı enterferansa karşı makul düzeyde koruma sağlamak amacıyla belirlenmiştir. Bu ekipman, radyo frekansı enerjisi üretir, kullanır ve yayabilir ve talimatlara göre kurulmadığı ve kullanılmadığı takdirde, telsiz haberleşme için zararlı enterferansa yol açabilir. Bununla birlikte, belirli bir kurulumda enterferansın oluşmayacağı garanti edilmemektedir. Ekipmanın kapatılıp açılmasıyla anlaşılacak olmak üzere, bu ekipman radyo veya televizyon alıcıları için zararlı enterferansa neden olursa, kullanıcının aşağıdaki tedbirlerden biri veya daha fazlasını uygulayarak enterferansı düzeltmeye çalışması önerilir:

- Alıcı anteni yeniden yönlendirin veya konumlandırın.
- Ekipman ile alıcı arasındaki açıklığı artırın.
- Ekipmanı alıcının bağlı olduğu devreden farklı bir devre üzerinde yer alan bir çıkış noktasına bağlayın.
- Yardım almak için bir bayiye veya deneyimli bir radyo/TV teknisyenine danışın (bu tavsiyede, profesyonel kurulumcudan yardım istenmesi şeklinde değişiklik yapılabilir).

Ülkeye Özgü Yönetmeliklerin tam listesi için lütfen Dell Temsilcinizle görüşün.

## RF Radyasyona Maruz Kalma Bildirimi

Bu ekipman, FCC RF radyasyona maruz kalma sınırlarına uygundur. Bu ekipmanın kurulumu ve çalıştırılması sırasında, 2,4 GHz ve 5 GHz frekansları için, radyasyon kaynağı ile vücudunuz arasındaki minimum 35 cm'lik uzaklık korunmalıdır. Bu verici, başka herhangi bir anten veya verici ile ortak konumlandırılmamalı veya bağlantılı olarak çalıştırılmamalıdır. 5,15 ila 5,25 GHz frekans aralığında çalıştırılırken, ortak kanallı Mobil Uydu Sistemleri ile zararlı enterferans potansiyelinin azaltılması amacıyla, bu cihazın kullanımı kapalı alanlarla sınırlandırılmıştır.

## W-650

- EN 55022 Sınıf B
- EN 55024
- IEC/EN 60950
- CE İşareti
- cTUVus İşareti
- CB Scheme Sertifikalı

## W-651

- FCC 15.247/15.407
- AB R&TTE Direktifi 1999/5/EC (EN 300 328, EN 301 893, EN 301 489)
- AB LV Direktifi 2006/95/EC
- IEC/EN 60950
- CE İşareti
- cTUVus İşareti
- CB Scheme Sertifikalı

Ülkeye Özgü Yönetmeliklerin tam listesi için lütfen Dell Temsilcinizle görüşün.

## NOM Bilgileri (Yalnızca Meksika için)

Aşağıdaki bilgiler, resmi Meksika standartları (NOM) gerekliliklerine uygun olarak, bu belgede tarif edilen cihazla ilgili olarak sunulmuştur:

İthalatçı: Dell Inc. de Mexico, S.A. de C.V.  
Paseo de la Reforma 2620-11° Piso  
Col. Lomas Atlas  
11950 Mexico, D.F.

Model Numarası: 650/651

- Besleme Gerilimi: 100-240 V AC
- Frekans: 47-63 Hz
- Akım tüketimi: 2,0 A

## Dell Ekipmanının Doğru İmhası

Global Çevresel Uygunluk ve Dell ürünleri hakkında en güncel bilgileri edinmek için, bu ürün içeriğinde yer alan *Dell PowerConnect W-Serisi Güvenlik, Çevre ve Yönetmelik Bilgileri* belgesini inceleyebilir veya [www.dell.com](http://www.dell.com) adresindeki web sitemizi ziyaret edebilirsiniz.

## Avrupa Birliği RoHS (Tehlikeli Maddelerin Kısıtlanması)

**RoHS**

Dell ürünleri, 2002/95/EC sayılı AB Tehlikeli Maddelerin Kısıtlanması (RoHS) Direktifi'ne de uygundur. AB RoHS, elektrikli ve elektronik ekipman imalatında belirli tehlikeli malzemelerin kullanımına kısıtlamalar getirmektedir. Özellikle, RoHS Direktifi uyarınca kısıtlamaya tabi olan malzemeler Kurşun (baskılı devre ünitelerinde kullanılan Lehim dahil), Kadmiyum, Cıva, Hekzavalan Krom ve Brom'dur. Bazı Dell ürünleri, RoHS Direktifi Ek 7 kapsamında listelenen istisnalara (baskılı devre ünitelerinde kullanılan lehim içerisindeki Kurşun) tabidir. Söz konusu Direktife uygunluğun gösterilmesi için, ürün ve ambalajların sol tarafları "RoHS" etiketi ile işaretlenecektir.

# Dell PowerConnect W-650 コントローラ 設置ガイド



## Copyright

© 2010 Aruba Networks, Inc. AirWave®, Aruba Networks®, Aruba Mobility Management System®, およびその他の登録商標は Aruba Networks, Inc. の商標です。Dell™、DELL™ ロゴ、および PowerConnect™ は Dell Inc. の商標です。

All rights reserved. 本書に記載された仕様は、予告なく変更されることがあります。

米国製。本書に記載されているその他の商標は、それぞれの所有者に帰属します。

## オープンソースコード

一部の Aruba 製品には、GNU General Public License (GPL)、GNU Lesser General Public License (LGPL)、およびその他のオープンソースライセンスの対象となるソフトウェアコードを含むサードパーティ製のオープンソースソフトウェアコードが含まれています。使用されているオープンソースコードは、以下のサイトで参照できます。

[http://www.arubanetworks.com/open\\_source](http://www.arubanetworks.com/open_source)

## 法的通知

個人または企業による Aruba Networks, Inc. スイッチングプラットフォームおよびソフトウェアの使用によって生じるその他のベンダの VPN クライアントデバイスが排除された場合、このアクションに対するその個人または企業の責任の完全な受諾を伴い、これらのベンダの代理として著作権の侵害に関して Aruba Networks, Inc. に対して適用される可能性のあるすべての合法的なアクションを補償するものとします。

# 目次

<b>序章</b>	<b>5</b>
概要	5
関連ドキュメント	5
Dell の連絡先	5
<b>第 1 章</b>	<b>W-650 シリーズコントローラについて</b> ..... <b>7</b>
最小ソフトウェア要件	7
パッケージチェックリスト	7
ハードウェアモデルの概要	8
前面	8
1000Base-X (SFP) ポート	8
10/100/1000Base-T Gigabit イーサネットポート	8
シリアルコンソールポート	9
シリアルコンソールポートアダプタ	9
USB ポート	9
メディア取り外しボタン	10
背面	10
AC 電源ソケット	10
ExpressCard スロット	11
アンテナインターフェイス (W-651 のみ)	11
LED ステータスインジケータ	11
<b>第 2 章</b>	<b>W-650 シリーズの設置</b> ..... <b>13</b>
設置前の準備	13
テレコムラック :	13
サーバーラック :	13
テレコムラックへの設置	13
サーバーラックへの設置	15
テーブルトップ展開	16
初期設定およびネットワーク接続	16
取り外し	16
<b>付録 A</b>	<b>仕様、安全性、および規制準拠</b> ..... <b>17</b>
物理仕様	17
電源仕様	17
運用仕様	17
保管仕様	17
ワイヤレス無線仕様 (W-651 内蔵 AP)	17
AP のタイプ	17
運用周波数	17
使用可能なチャンネル	17
モジュレーション	18
伝送出力	18
アソシエーションレート (Mbps)	18
802.11n 高スループット (HT) サポート	18

802.11n パケット集約.....	18
アンテナ (W-651 内蔵 AP).....	18
安全性および規制準拠.....	18
FCC Class B デバイス .....	19
RF 放射に関する声明 .....	19
W-650.....	19
W-651.....	19
NOM に関する情報 (メキシコのみ) .....	20
Dell 製機器の適切な廃棄.....	20
欧州連合 RoHS .....	20

この序章には、以下の情報が含まれています。

- 本書の内容の概要
- 関連ドキュメントのリスト
- サポートおよびサービス情報

## 概要

- [第1章、「W-650 シリーズコントローラについて」\(7 ページ\)](#) では、W-650 シリーズの詳細なハードウェアの概要について説明します。
- [第2章、「W-650 シリーズの設置」\(13 ページ\)](#) では、ラックマウントへの設置手順について説明します。
- [付録 A、「仕様、安全性、および規制準拠」\(17 ページ\)](#) には、製品の技術仕様、安全性、および規制順序に関する情報が記載されています。

## 関連ドキュメント

本書では、Dell モビリティコントローラの正常な設置および管理に必要な以下のドキュメントが参照されています。

- 『Dell PowerConnect ArubaOS 5.0 Quick Start Guide』
- 『Dell PowerConnect ArubaOS 5.0 User Guide』
- 『Dell PowerConnect ArubaOS 5.0 Command Line Reference』

## Dell の連絡先

Web サイトサポート	
メインサイト	<a href="http://www.dell.com">www.dell.com</a>
サポートサイト	<a href="http://support.dell.com">support.dell.com</a>
ドキュメント	<a href="http://support.dell.com/manuals">support.dell.com/manuals</a>
ソフトウェア	<a href="https://download.dell-pcw.com">https://download.dell-pcw.com</a>





Dell PowerConnect W-650 シリーズコントローラは、エンタープライズクラスのワイヤレス LAN コントローラです。このコントローラは、ワイヤレスアクセスポイント (AP) および空気モニター (AM) を有線 LAN システムに接続し、制御および統合します。

- W-650 は、最大 16 のキャンパス AP をサポートします。
- W-651 は、1 つの内蔵 AP に加えて、最大 16 の外部キャンパス AP をサポートします。

## 最小ソフトウェア要件

W-650 シリーズコントローラには ArubaOS 5.0.2 以降が必要です。



**メモ:** マスタコントローラ、その冗長マスタコントローラ、およびそのすべてのローカルコントローラは、ArubaOS の同じコード上で実行する必要があります。ネットワークをアップグレードして、ネットワークに W-650 シリーズモバイルコントローラをインストールした場合、コントローラのソフトウェアバージョンが残りのネットワークと一致することを確認してください。

## パッケージチェックリスト

- W-650 シリーズモバイルコントローラ
- AC 電源コード (国固有)
- ラックマウント用ブラケット
- サーバーおよびテレコムラックシステム用ラックマウントハードウェア
- 左側ベゼル (設置されていません)
- 右側ベゼル (設置されていません)
- ゴム足 (テーブルトップ展開用)
- フラットシリアルケーブル (RJ-45)
- シリアルケーブルポートアダプタ (RJ-45 から DB9 への変換)
- デュアルバンド高ゲインオムニ方向の取り外し可能アンテナ (3 本)
- 『Dell PowerConnect ArubaOS Quick Start Guide』
- 『エンドユーザー使用許諾契約』 (EULA)
- 『Safety, Environmental, and Regulatory Information (SERI)』 ドキュメント
- 『Warranty and Support Information (WSI)』 ドキュメント

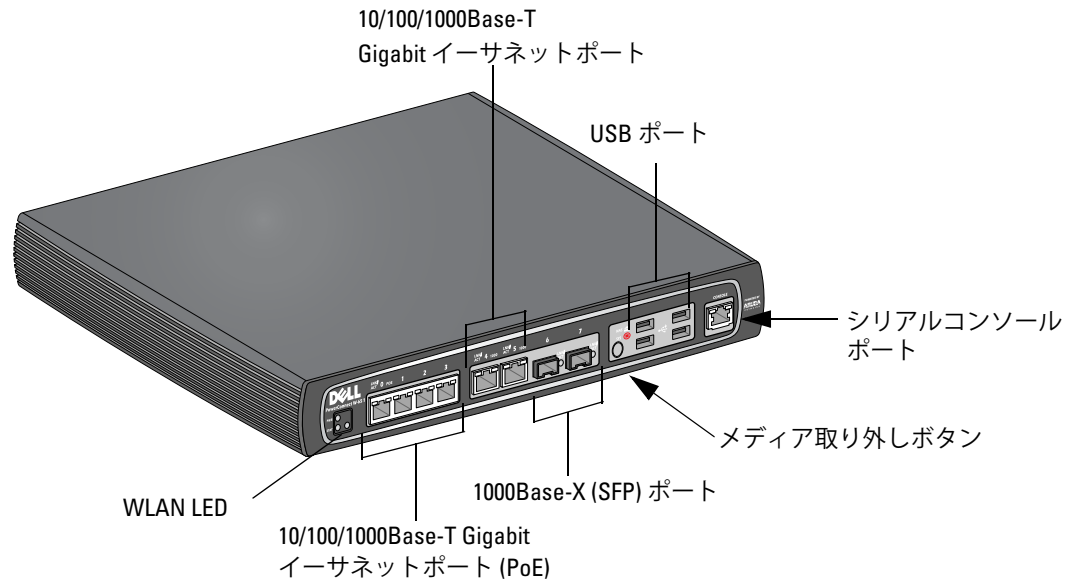


**メモ:** 内容が違っている場合、不足している場合、または破損している場合は、サプライヤに連絡してください。必要な場合は、元の梱包資材および箱を使用して (可能な場合) パッケージを梱包し、サプライヤに返送してください。

# ハードウェアモデルの概要

## 前面

図1 W-650 シリーズの前面



### 1000Base-X (SFP) ポート

ファイバ接続専用の2つの1000Base-Xポートは、Dell Wシリーズ SFP (mini-GBIC) と組み合わせて使用するよう設計されています。

互換 SFP モジュールを購入する場合、詳細については、Dell 代理店にお問い合わせください。

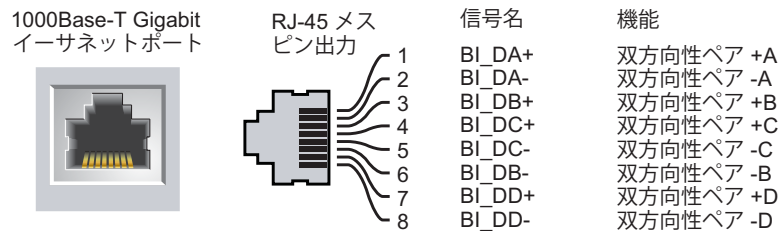


**メモ:** Dell は、そのコントローラシステム内の Dell 光ファイバをテストおよびサポートします。サードパーティ製の光ファイバはテストおよびサポートされません。したがって、Dell は、Dell システムでサードパーティ製の光ファイバが適切に機能することを保証しません。

### 10/100/1000Base-T Gigabit イーサネットポート

W-650 シリーズには、6つの10/100/1000Base-T Gigabit Ethernet (RJ-45) ポートがあります。Gigabit イーサネットは8つのすべてのワイヤを使用し、各ポートは双方向で使用されます。したがって、同じペアがデータの送受信に使用されます。図2は、RJ-45 コネクタのCAT-5 ピン出力を示します。CAT-5 ピン出力では、10/100/1000Base-T Gigabit イーサネットポートで、1/2、3/6、4/5、7/8 のペアを構成します。

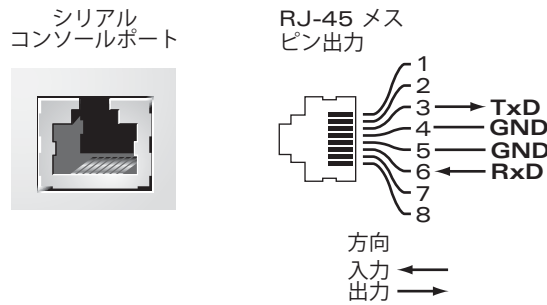
図2 Gigabit イーサネットポートピン出力



## シリアルコンソールポート

シリアルコンソールポートは、ローカル管理を直接行うターミナルに接続するために提供されています。

図3 シリアルコンソールポートピン出力



シリアルポートの通信設定を表1に示します。

表1 コンソールターミナル設定

ボーレート	データビット	パリティ	ストップビット	フロー制御
9600	8	なし	1	なし

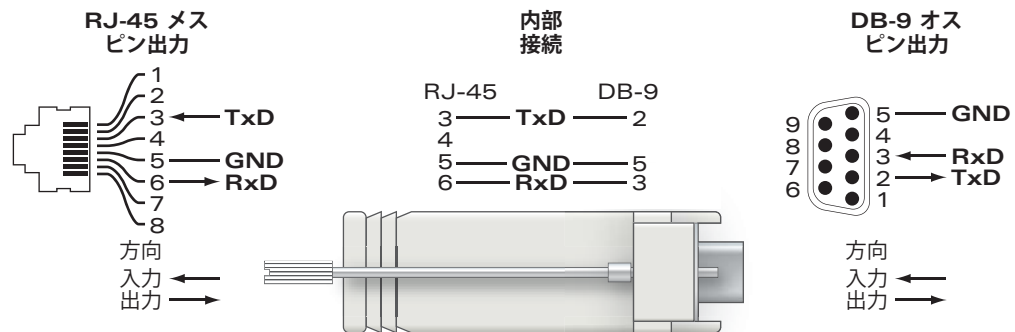


**注意:** AP をシリアルコンソールポートに接続しないでください。シリアルコンソールポートは、RS-232 デバイスとのみ互換性があります。RS-232 以外のデバイス (AP など) はサポートされません。

## シリアルコンソールポートアダプタ

モジュラアダプタを使用して、RJ-45 (メス) コネクタを DB9 (メス) コネクタに変換できます。詳細については、図4を参照してください。

図4 RJ-45 (メス) から DB9 (オス) へのモジュラアダプタ変換



## USB ポート

W-650 シリーズには、4つの USB 2.0 インターフェイスがあります。これらのインターフェイスには、EVDO/HSPDA モデム、フラッシュまたはディスクストレージデバイス、またはプリンタを接続できます。W-650 シリーズでの USB デバイスの設定および使用の詳細については、『ArubaOS User Guide』を参照してください。

## メディア取り外しボタン

W-650 シリーズのメディア取り外しボタンを使用すると、ストレージデバイスを安全に取り外して、システムをスタンバイモードにすることができます。ボタンを押すと、USB 経由でコントローラに接続されたすべてのストレージメディアデバイスのマウントが解除されます。プリンタおよび EVDO デバイスには影響しません。

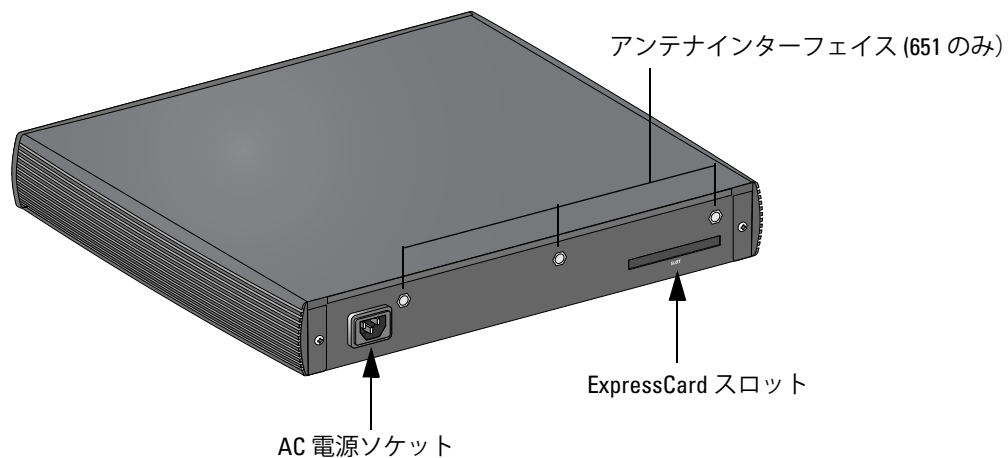
メディア取り外しボタンを押すと、W-650 シリーズの状態が変化します。次の表は、メディア取り外しボタンの使用に関連する状態および LED の動作を示します。

表 2 メディア取り外しボタンの LED の動作

初期状態	LED の状態	アクション	ステータス LED	機能	LED アクション完了
NAS メディア運用中	緑 (点灯)	メディア取り外しボタンを 1～5 秒間押す	黄色 (点滅)	すべての NAS メディアのマウント解除	黄色 (点灯)
NAS メディアマウント解除完了	黄色 (点灯)	メディア取り外しボタンを 1～5 秒間押す	黄色 (点滅)	接続されたすべての NAS デバイスをマウントし、完全な機能運用を再開	緑 (点灯)
運用	緑 (点灯)	メディア取り外しボタンを 5 秒以上押す	赤 (点滅)	コントローラがスタンバイモードに移行	赤 (点灯)
NAS メディアとの運用のマウント解除	黄色 (点灯)	メディア取り外しボタンを 5 秒以上押す	赤 (点滅)	コントローラがスタンバイモードに移行	赤 (点灯)
スタンバイ	赤 (点灯)	メディア取り外しボタンを押す	黄色 (点滅)	コントローラの再開	緑 (点灯)

## 背面

図 5 W-650 シリーズの背面 (図は 651)



## AC 電源ソケット

W-650 シリーズは、内蔵 AC 電源をサポートし、ユニット背面の AC 電源ソケットに AC 電源コード (国固有) を接続できます。電源仕様の詳細については、17 ページの「電源仕様」を参照してください。

## ExpressCard スロット

W-650 シリーズには、EVDO デバイスと組み合わせて使用できる ExpressCard スロットが 1 つあります。

## アンテナインターフェイス (W-651 のみ)

W-651 には、1 つのアクセスポイント (AP) が内蔵されています。この AP は、2.4 GHz および 5 GHz の帯域幅を a/b/g または n モードで機能します。各機器には、このキットに付属するアンテナを接続するための 3 つの RP-SMA インターフェイスがあります。

## LED ステータスインジケータ

表 3 W-650 シリーズ LED ステータスインジケータ

LED	ラベル	機能	インジケータ	ステータス
電源	POWER	入力電源ステータスインジケータ	点灯 (緑)	電源投入
			消灯	電源切断
ステータス	STATUS	モジュールステータスインジケータ	点灯 (緑)	デバイス運用中
			点灯 (赤)	デバイス障害またはスタンバイ中
			点灯 (黄色)	デバイスでソフトウェアのロード中
			消灯	電源切断
1000Base-X ポート (SFP)	LNK/ACT	リンクステータスインジケータ	点灯 (緑)	リンク確立済み
			点滅 (緑)	ポートでデータの送受信中
			消灯	リンクなし
10/100/1000Base-T ポート	LNK/ACT	リンク/アクティビティステータスインジケータ	点灯 (緑)	リンク確立済み
			点滅 (緑)	ポートでデータの送受信中
			消灯	リンクなし
	1000	インターフェイス速度	点灯 (緑)	(1000 Mbps)
			消灯	(10/100 Mbps)
10/100/1000Base-T ポート (PoE)	LINK/ACT	リンク/アクティビティステータスインジケータ	点灯 (緑)	リンク確立済み
			点滅 (緑)	ポートでデータの送受信中
			消灯	リンクなし
	PoE	PoE ステータスインジケータ	点灯 (緑)	PoE 給電中
			点灯 (黄色)	接続されたデバイスが PoE を要求したが、PoE がポートで提供されていない
			消灯	PoE なし
802.11 a/b/g/n AP (W-651 のみ)	WLAN	AP ステータス	点灯 (黄色)	無線が WLAN モードで有効
			点灯 (緑)	無線が 802.11n モードで有効
			点滅 (緑)	空気モニターモード
			消灯	無線が無効



## 設置前の準備

W-650 シリーズコントローラを設置するには、以下のツールおよび機器が必要です。

- ラックマウント用ブラケット 2つ（テーブルトップへの設置の場合は不要です）
- 適切なドライバー
- AC 電源コード（国固有）
- 左右のベゼル（ラックマウントの場合は不要）



**警告:** 以下の手順を実行する前に、コントローラに付属している安全のしおりを確認してください。

### テレコムラック：

- M3、6mm x 0.5mm のプラスネジ (6 本同梱)
- 12-24 x 5/8" のプラスネジ (4 本同梱)

### サーバーラック：

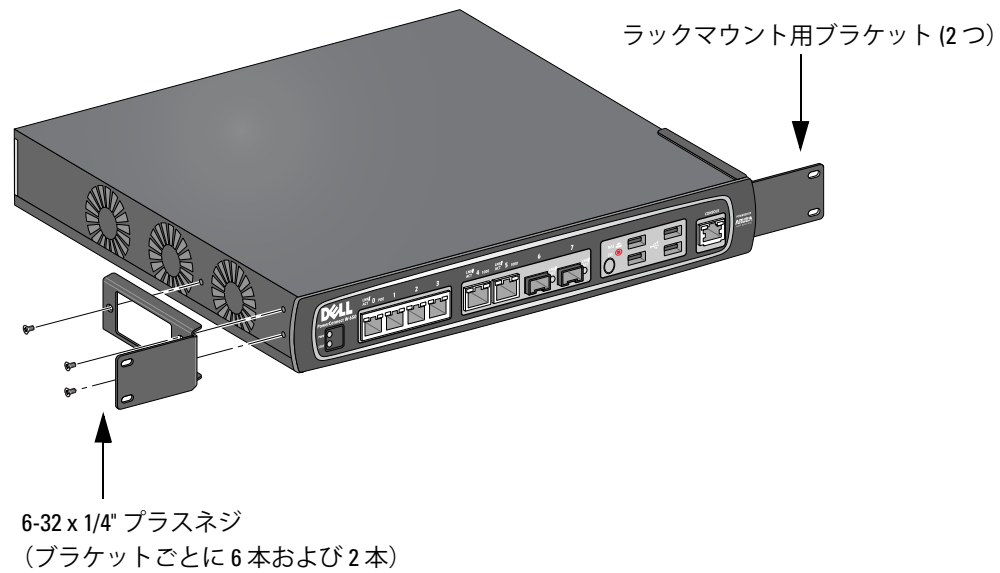
- M3、6mm x 0.5mm のプラスネジ (6 本同梱)
- M6 x 20mm のプラスネジ (4 本同梱)
- M6 ケージナット (4つ同梱) または M6 ケージクリップ (4つ同梱)

## テレコムラックへの設置

W-650 シリーズコントローラを 19 インチ (48.26 cm) テレコムラックシステムに設置するには：

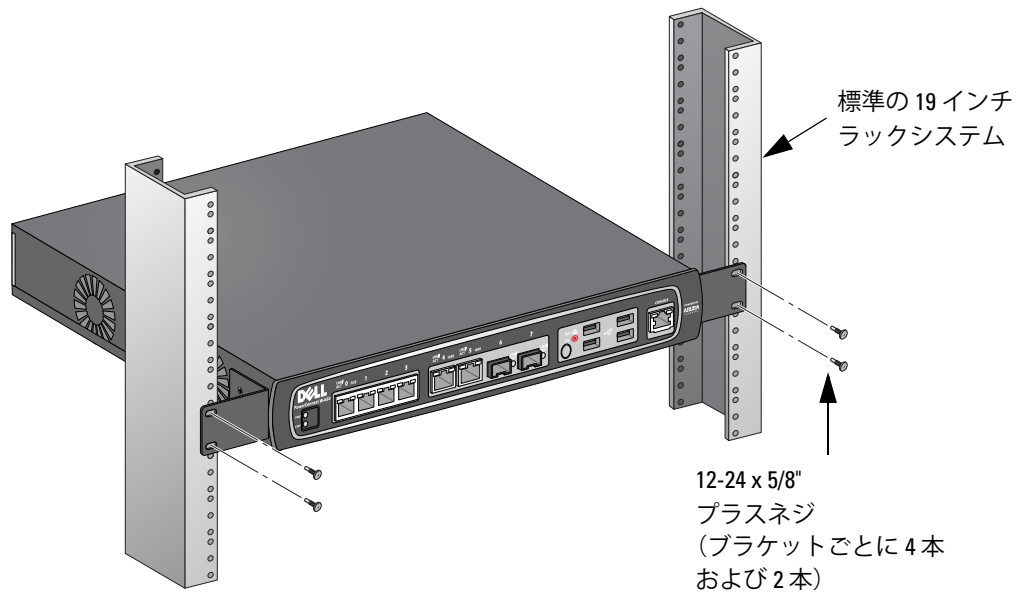
1. ラックマウント用ブラケットをコントローラ側面のマウント用穴に配置します (図 6 を参照)。
2. 3 本の M3、6mm x 0.5mm プラスネジおよびドライバーを使用して、ブラケットをコントローラに固定します。
3. コントローラの反対側の側面で同じ手順を繰り返します。

図6 ラックマウント用ブラケット



4. 4本の 12-24 x 5/8" プラスネジおよび適切なドライバーを使用して、組織のラックシステムにコントローラを取り付けます (図7を参照)。

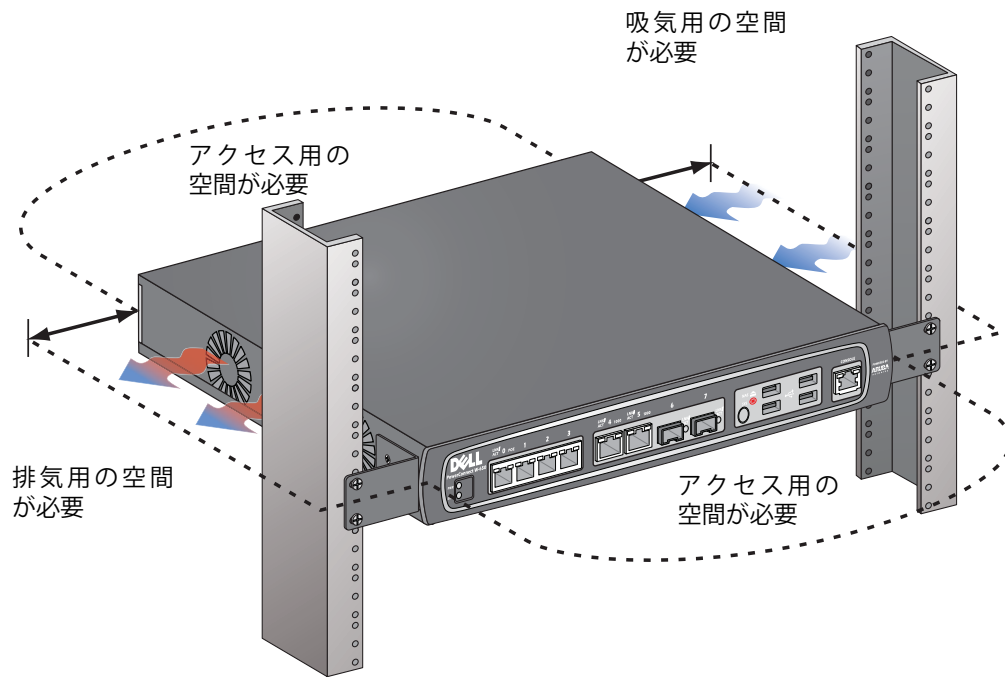
図7 ラックマウント設置



5. 吸気と排気のためにユニットの左右に最低 10 cm の空間を空けておきます (図8を参照)。
6. 電源コード、ネットワークケーブル、および LED ステータスインジケータにアクセスするために、ユニットの前後の空間を空けておきます (図8を参照)。



図 8 吸気と排気の要件



7. AC 電源コード（国固有）をユニット背面に接続します。
8. 電源コードの反対側を電源コンセントに接続してコントローラに給電します。



**メモ:** W-650 シリーズコントローラには、ユニットの電源スイッチがありません。ユニットへの給電は、電源コードを電源コンセントに接続することによって制御します。

## サーバーラックへの設置

W-650 シリーズコントローラを 19 インチ (48.26 cm) サーバーラックシステムに設置するには：



**メモ:** 次の手順は、スレッドなしの四角い穴のラックにコントローラを設置する方法を示します。スレッドなしの丸い穴のラックの場合、付属するクリップナットを使用してください。

1. ラックマウント用ブラケットをコントローラ側面のマウント用穴に配置します (図 6 を参照)。
2. 3 本の M3、6mm x 0.5mm プラスネジおよび適切なドライバーを使用して、ブラケットをコントローラに固定します。
3. コントローラの反対側の側面で同じ手順を繰り返します。
4. 4 つのケージナットを取り付けます。  
ケージナット設置工具を使用してケージナットを取り付けるには：
  - a. ケージナット下部（レール背面の四角い開口部の上）に挿入します。
  - b. ケージナット設置工具の小さい端をレールの開口部に前面から挿入し、ケージナットの上部に工具を引っかけます。
  - c. ケージナットをレールの方向に押し、ケージナットの上部が固定されるまで工具を上に向けて自分の方向に引っ張ります。

ネジでケージナットを取り付けるには：

- a. ケージナット下部（レール背面の四角い開口部の上）に挿入します。
  - b. ケージナットの上部をマイナスドライバーで押します。
  - c. ナット上部を押した状態で、ケージナットをレール開口部に押し込みます。
  - d. ドライバーの圧力を緩めて、ケージナットを固定します。
5. 4本の M6 x 20mm プラスネジおよび適切なドライバーを使用して、組織のラックシステムにコントローラを取り付けます。
  6. 吸気と排気のためにユニットの左右に最低 10 cm の空間を空けておきます (図 8 を参照)。
  7. 電源コード、ネットワークケーブル、および LED ステータスインジケータにアクセスするために、ユニットの前後の空間を空けておきます (図 8 を参照)。
  8. AC 電源コード（国固有）をユニット背面に接続します。
  9. 電源コードの反対側を電源コンセントに接続してコントローラに給電します。



---

**メモ:** W-650 シリーズコントローラには、ユニットの電源スイッチがありません。ユニットへの給電は、電源コードを電源コンセントに接続することによって制御します。

---

## テーブルトップ展開

W-650 シリーズコントローラをテーブルトップなどの平面に展開するには：

1. 4つのゴム足をユニット下部に挿入します。
2. 側面ベゼルを取り付けます。
3. ユニットの硬い平面に設置します。

## 初期設定およびネットワーク接続

物理的な設置が完了したら、コントローラで初期セットアップを実行し、IP アドレスおよびその他の基本システム情報を設定します。詳細および手順については、『ArubaOS Quick Start Guide』を参照してください。

## 取り外し

W-650 シリーズコントローラを 19 インチ (48.26 cm) ラックシステムから取り外すには：

1. 電源コードを電源コンセントから取り外して、コントローラの電源を切断します。
2. コントローラに接続されているその他のケーブルまたはデバイスを取り外します。
3. 組織のラックシステムにコントローラを固定している 4 本のラックマウント用ネジを緩めます。
4. ラックマウントからユニットを取り外します。

## 物理仕様

デバイスの寸法（ラックマウント用ブラケットを除く）

- 高さ 38 mm (1.5)
- 幅 346 mm (13.6)
- 奥行 226 mm (8.9)

## 電源仕様

- AC 入力電圧：100 ～ 240 V 以上（ユニバーサル入力）
- AC 入力周波数：50 ～ 60 Hz
- 最大消費電力：126 W
- Power over Ethernet 合計容量：78 W
- Power over Ethernet 容量（ポート毎）：19.5 W

## 運用仕様

- 運用温度範囲：0°C ～ 40°C (32°F ～ 104°F)
- 運用湿度範囲：5% ～ 95% (RH)、結露なし

## 保管仕様

- 運用温度範囲：0°C ～ 50°C (32°F ～ 122°F)
- 保管湿度範囲：5% ～ 95% (RH)、結露なし

## ワイヤレス無線仕様 (W-651 内蔵 AP)

### AP のタイプ

- 単一の無線 3x3 Multiple-Input, Multiple-Output (MIMO) は、最大 300 Mbps のデータレートを実現します。

### 運用周波数

- 2.4-2.5 GHz または 5.150-5.950 GHz

### 使用可能なチャネル

- モビリティコントローラで管理、構成済み規制ドメインに依存

## モジュレーション

- 802.11b：直接拡散方式 (DSSS)
- 802.11a/g：直交波周波数分割多重方式 (OFDM)
- 802.11n：802.11n ドラフト 2.0

## 伝送出力

- 0.5 dBm の増分で設定可能

## アソシエーションレート (Mbps)

- 802.11b：11、5.5、2、1（自動フォールバック）
- 802.11a/g：54、48、36、24、18、12、9、6（自動フォールバック）
- 802.11n：MCS0 - MCS15 (6.5Mbps ~ 300Mbps)

## 802.11n 高スループット (HT) サポート

- HT 20
- HT 40

## 802.11n パケット集約

- A-MPDU
- A-MSDU

## アンテナ (W-651 内蔵 AP)

- 外付けアンテナ用の 3 つの RP-SMA インターフェイス（空間的多様性のある最大 3x3 の MIMO をサポート）
- 3 本の AP-ANT-1B オムニデュアルバンドアンテナ付属

## 安全性および規制準拠

Dell は、国固有の規制および追加の安全性と規制情報を含む多言語ドキュメントをすべての Dell ハードウェア製品で提供しています。『Dell PowerConnect W-Series Safety, Environmental, and Regulatory Information』ドキュメントは、本製品に含まれています。



**注意:** 本書に記載されているもの以外のコントロールまたは手順を使用した場合、危険な無線放射が発生することがあります。

本製品は、21 CFR Chapter 1, Subchapter J, Part 1040.10、および IEC 60825-1: 1993、A1: 1997、A2: 2001、IEC 60825-2: 2000 に準拠しています。

上記のレーザーに関する安全性標準への継続的に準拠するため、製品には Dell 認定ベンダの承認済み Class 1 モデルのみが使用されています。

## FCC Class B デバイス

この機器は、FCC 規則の Part 15 に準じた Class B デジタルデバイスの制限に関する試験に適合しています。これらの制限は、住居への設置における有害な干渉からの保護を提供するために設定されています。この機器は、無線周波数エネルギーを生成および使用し、および無線周波数エネルギーを放射する可能性があります。適切な手順に従って設置および使用しない場合、無線通信で有害な干渉が発生することがあります。しかし、特定の設置において干渉が発生しないという保証はありません。この機器によって無線またはテレビ電波の受信に有害な干渉が発生した場合（機器の電源投入および切断によって確認できます）、ユーザーは以下の手段を使用して干渉を修正することが推奨されます。

- 受信アンテナの向きを変える、または設置場所を変更する。
- 機器と受信機の距離を離す。
- 受信機が接続されている電源コンセントとは別のコンセントに機器を接続する。
- 無線/TV のディーラーまたは技術者に支援を要請する。

国固有の規制の完全なリストについては、Dell 代理店にお問い合わせください。

## RF 放射に関する声明

この機器は、FCC RF 放射制限に準拠しています。本製品を 2.4 GHz および 5 GHz で運用する場合、放射体とユーザーの身体との距離は 35 cm (13.78 インチ) 以上にしてください。このトランスミッターは、その他のアンテナまたはトランスミッターと一緒に設置または運用しないでください。5.15 ~ 5.25 GHz の周波数で運用する場合、移動体衛星システムとの有害な干渉を軽減するために、このデバイスは室内での使用に制限されます。

### W-650

- EN 55022 Class B
- EN 55024
- IEC/EN 60950
- CE Marking
- cTUVus Marked
- CB Scheme 承認

### W-651

- FCC 15.247/15.407
- EU R&TTE Directive 1999/5/EC (EN 300 328、EN 301 893、EN 301 489)
- EU LV Directive 2006/95/EC
- IEC/EN 60950
- CE Marking
- cTUVus Marked
- CB Scheme 承認

国固有の規制の完全なリストについては、Dell 代理店にお問い合わせください。

## NOM に関する情報（メキシコのみ）

以下の情報は、本書に記載されているデバイスに関する公式なメキシコ標準 (NOM) の要件への準拠に関するものです。

輸入業者： Dell Inc. de Mexico, S.A. de C.V.  
Paseo de la Reforma 2620-11° Piso  
Col. Lomas Atlas  
11950 Mexico, D.F.

モデル番号：651/651

- 供給電圧：100 ～ 240 V AC
- 周波数：47 ～ 63 Hz
- 電流消費：2.0 A

## Dell 製機器の適切な廃棄

Global Environmental Compliance および Dell 製品に関する最新情報については、本製品に含まれる『Dell PowerConnect W-Series Safety, Environmental, and Regulatory Information』または [www.dell.com](http://www.dell.com) を参照してください。

### 欧州連合 RoHS

**RoHS** Dell 製品は、EU Restriction of Hazardous Substances Directive 2002/95/EC (RoHS) にも準拠しています。EU RoHS は、電気機器および電子機器の製造における特定の危険物質の使用を制限する指令です。特に、RoHS 指令で制限されている物質は、鉛（印刷基盤アセンブリで使用されるはんだを含む）、カドミウム、水銀、六価クロム、およびブロムです。一部の Dell 製品は、RoHS 指令の付録 7 に記載されている例外の対象です（印刷基盤アセンブリで使用するはんだの鉛）。左側に示す “RoHS” のラベルが添付された製品およびパッケージは、この指令に準拠していることを示します。

# Dell PowerConnect W-650 컨트롤러 설치 안내서



## 저작권

© 2010 Aruba Networks, Inc. AirWave®, Aruba Networks®, Aruba Mobility Management System®, 및 기타 등록 표시는 Aruba Networks, Inc.의 상표이고 Dell™, DELL™ 로고 및 PowerConnect™는 Dell Inc의 상표입니다.

All rights reserved. 이 설명서의 사양은 통보 없이 변경될 수 있습니다.

미국에서 인쇄. 이 설명서에 나타나는 다른 모든 상표는 해당 소유자의 재산입니다.

## 오픈 소스 코드

특정 Aruba 제품에는 GNU General Public License(GPL), GNU Lesser General Public License(LGPL) 또는 기타 오픈 소스 라이선스에 적용되는 소프트웨어 코드를 포함하여 타사에서 개발된 오픈 소스 소프트웨어 코드가 포함되어 있습니다. 사용된 오픈 소스 코드는 다음 사이트에서 볼 수 있습니다.

[http://www.arubanetworks.com/open\\_source](http://www.arubanetworks.com/open_source)

## 법적 고지

모든 개인 또는 회사에서 다른 공급업체의 VPN 클라이언트 장치를 중단하기 위해 Aruba Networks, Inc.의 스위칭 플랫폼 및 소프트웨어를 사용하는 것은 이런 행동에 대해 개인 또는 회사가 전적으로 책임을 진다는 것을 수락하는 것이며 이러한 공급업체를 대신하여 저작권 위반에 관해 발생할 수 있는 모든 법적 소송으로부터 Aruba Networks, Inc.는 면책됩니다.



# 목차

<b>머리말</b>	<b>5</b>	
일반 개요	5	
관련 문서	5	
Dell에 문의	5	
<b>1장</b>	<b>W-650 시리즈 컨트롤러 정보</b>	<b>7</b>
최소 소프트웨어 요구 사항	7	
패키지 체크리스트	7	
하드웨어 모델 개요	8	
전면 보기	8	
1000Base-X(SFP) 포트	8	
10/100/1000Base-T 기가비트 이더넷 포트	8	
시리얼 콘솔 포트	9	
시리얼 콘솔 포트 어댑터	9	
USB 포트	9	
미디어 꺼내기 버튼	10	
후면 보기	10	
AC 전원 소켓	10	
ExpressCard 슬롯	11	
안테나 인터페이스(W-651만 해당)	11	
LED 상태 표시등	11	
<b>2장</b>	<b>W-650 시리즈 설치</b>	<b>13</b>
설치 전 요구 사항	13	
텔레콤 랙의 경우:	13	
서버 랙의 경우:	13	
텔레콤 랙에 설치	13	
서버 랙에 설치	15	
테이블에 설치	16	
초기 설정 및 네트워크 연결	16	
장치 분리	16	
<b>부록 A</b>	<b>사양, 안전 및 규정 준수</b>	<b>17</b>
실제 사양	17	
전원 사양	17	
운용 사양	17	
보관 사양	17	
무선 사양(W-651 내부 AP)	17	
AP 유형	17	
운용 주파수	17	
사용할 수 있는 채널	17	
변조	17	
송신 출력	18	
연계 속도(Mbps)	18	
802.11n 고처리율(HT) 지원	18	

802.11n 패킷 집합.....	18
안테나(W-651 내부 AP).....	18
안전 및 규정 준수.....	18
FCC Class B 장치.....	19
RF 방사선 노출 성명서 .....	19
W-650.....	19
W-651.....	19
NOM 정보(멕시코만 해당).....	20
Dell 장비의 적절한 폐기 .....	20
EU RoHS .....	20

이 머리말에는 다음 정보가 들어 있습니다.

- 이 설명서 내용에 대한 개요
- 추가로 참고할 관련 문서 목록
- 지원 및 서비스 정보

## 일반 개요

- 1장, 7페이지의 “W-650 시리즈 컨트롤러 정보”에서는 W-650 시리즈의 하드웨어 개요를 자세하게 설명합니다.
- 2장, 13페이지의 “W-650 시리즈 설치”에서는 랙 장착 및 설치 지침을 제공합니다.
- 부록 A, 17페이지의 “사양, 안전 및 규정 준수”에는 제품 기술 사양과 안전 및 규정 준수 정보를 제공합니다.

## 관련 문서

다음 문서는 이 안내서에서 언급되며 Dell 모빌리티 컨트롤러의 성공적인 설치 및 관리에 필요한 전체 문서 중 일부입니다.

- *Dell PowerConnect ArubaOS 5.0 Quick Start Guide*
- *Dell PowerConnect ArubaOS 5.0 User Guide*
- *Dell PowerConnect ArubaOS 5.0 Command Line Reference*

## Dell에 문의

웹 사이트 지원	
메인 사이트	<a href="http://www.Dell.com">www.Dell.com</a>
지원 사이트	<a href="http://support.dell.com">support.dell.com</a>
문서	<a href="http://support.dell.com/manuals">support.dell.com/manuals</a>
소프트웨어	<a href="https://download.dell-pcw.com">https://download.dell-pcw.com</a>



Dell PowerConnect W-650 시리즈 컨트롤러는 기업용 무선 LAN 컨트롤러입니다. 이 컨트롤러를 사용하여 무선 액세스 포인트(AP) 및 에어 모니터(AM)를 유선 LAN 시스템으로 연결, 관리, 통합할 수 있습니다.

- W-650은 최대 16개의 외장 캠퍼스 AP를 지원합니다.
- W-651은 1대의 내장 AP가 포함되어 있으며, 최대 16개의 외부 캠퍼스 AP를 지원합니다.

## 최소 소프트웨어 요구 사항

W-650 시리즈 컨트롤러에는 ArubaOS 5.0.2 이상이 필요합니다.



**참고:** 마스터 컨트롤러, 이중화 마스터 컨트롤러, 모든 로컬 컨트롤러는 동일한 ArubaOS 코드에서 실행해야 합니다. W-650 시리즈 모빌리티 컨트롤러를 네트워크에 설치했으면 컨트롤러의 소프트웨어 버전이 나머지 컨트롤러와 일치하는지 확인합니다.

## 패키지 체크리스트

- W-650 시리즈 모빌리티 컨트롤러
- AC 전원 코드(국가마다 다름)
- 랙 장착 브래킷
- 서버 및 텔레콤 시스템용 랙 장착 하드웨어
- 왼쪽 베젤(설치되지 않음)
- 오른쪽 베젤(설치되지 않음)
- 고무 다리(테이블에 설치할 때 사용)
- 플랫 시리얼 케이블(RJ-45)
- 시리얼 케이블 포트 어댑터(RJ-45에서 DB9)
- 듀얼 밴드, 높은 이득, 전방향 외장형 안테나(3개)
- Dell PowerConnect ArubaOS Quick Start Guide
- 최종 사용자 라이선스 계약(EULA)
- SERI(Safety, Environmental, and Regulatory Information) 문서
- WSI(Warranty and Support Information) 문서

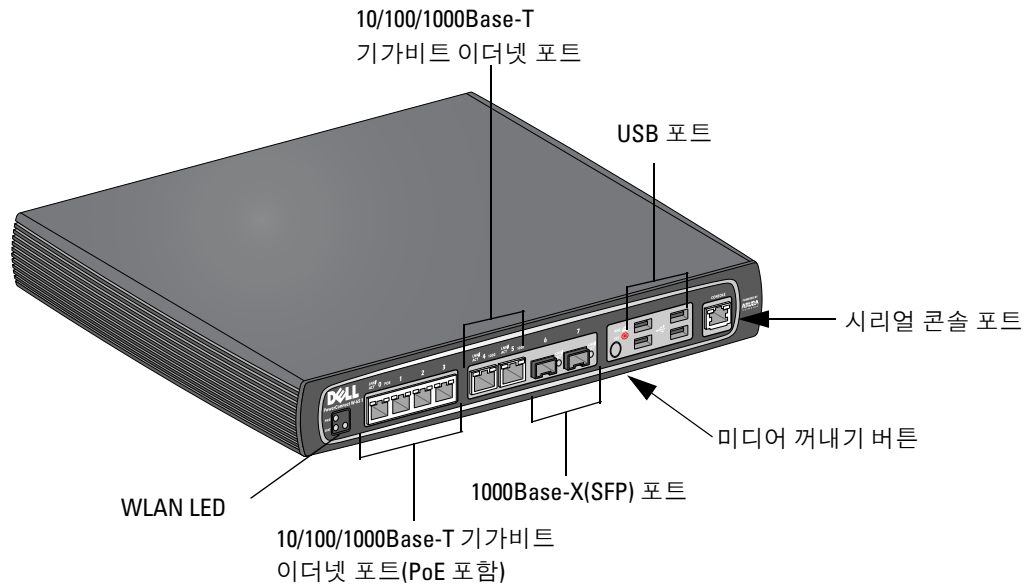


**참고:** 잘못되었거나 누락되었거나 손상된 부분이 있는 경우 공급업체에 알려 주십시오. 가능하면 원래 포장 재료뿐만 아니라 상자도 보관해 두십시오. 필요한 경우 이를 사용하여 장비를 다시 포장하고 공급업체에 반환하십시오.

# 하드웨어 모델 개요

## 전면 보기

그림 1 W-650 시리즈 전면 보기



### 1000Base-X(SFP) 포트

파이버 연결 전용으로 1000Base-X 포트 2개가 있으며 Dell W-시리즈 SFP(미니 GBIC)와 함께 사용합니다. 호환되는 SFP 모듈을 구입하려면 Dell 영업 담당자에게 자세한 내용과 도움을 요청하십시오.

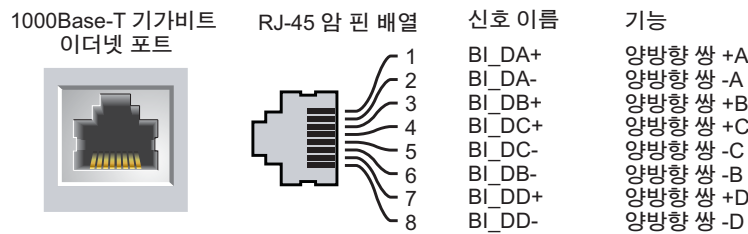


**참고:** Dell은 자사 컨트롤러 시스템에서 Dell 광학 기기를 테스트하여 지원합니다. 타사 광학 기기는 테스트되지 않았거나 지원되지 않으므로 Dell은 Dell 시스템에 사용되는 타사 광학 기기의 올바른 기능을 보장하지 않습니다.

### 10/100/1000Base-T 기가비트 이더넷 포트

W-650 시리즈에는 10/100/1000Base-T 기가비트 이더넷(RJ-45) 포트 6개가 있습니다. 기가비트 이더넷에는 총 8개의 선이 사용되고 각 쌍은 양방향 방식으로 사용되므로 같은 쌍들은 데이터 송신 및 수신을 위해 사용됩니다. 그림 2는 RJ-45 커넥터의 CAT-5의 핀 배열입니다. CAT-5 핀 배열 쌍은 1/2, 3/6, 4/5 및 7/8과 같이 10/100/1000Base-T 기가비트 이더넷 포트에 있는 핀입니다.

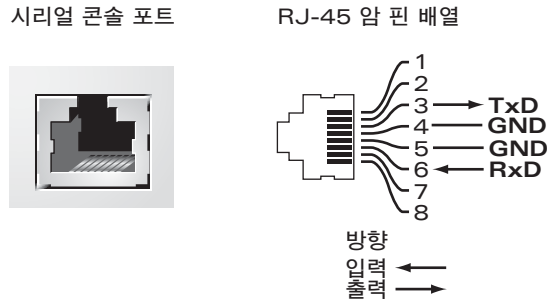
그림 2 기가비트 이더넷 포트 핀 배열



## 시리얼 콘솔 포트

터미널 연결을 위해 시리얼 콘솔 포트가 제공되므로 해당 컨트롤러를 직접 관리할 수 있습니다.

**그림 3** 시리얼 콘솔 포트 핀 배열



시리얼 포트에 대한 통신 설정은 표 1에 나열되어 있습니다.

**표 1** 콘솔 터미널 설정

전송 속도	데이터 비트	패리티	정지 비트	흐름 제어
9600	8	없음	1	없음

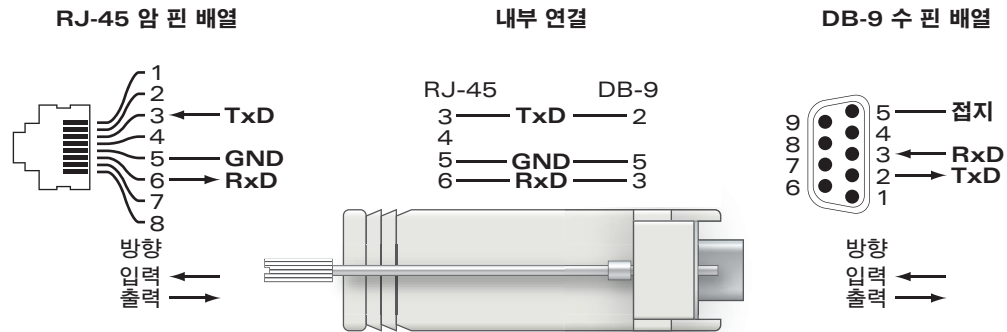


**주의:** AP를 시리얼 콘솔 포트에 연결하지 마십시오. 시리얼 콘솔 포트에는 RS-232 장치만 사용할 수 있습니다. AP와 같은 RS-232 장치가 아닌 장치는 사용할 수 없습니다.

## 시리얼 콘솔 포트 어댑터

모듈 어댑터를 사용하여 RJ-45(암) 커넥터를 DB9(수) 커넥터로 전환할 수 있습니다. 자세한 내용은 그림 4를 참조하십시오.

**그림 4** RJ-45(암)에서 DB-9(수)로 모듈 어댑터 전환



## USB 포트

W-650 시리즈에는 USB 2.0 인터페이스 4개가 있습니다. 이 인터페이스에서 EVDO/HSPDA 모뎀, 플래시 또는 디스크 저장 장치, 또는 프린터를 사용할 수 있습니다. W-650 시리즈로 USB 장치 구성 및 사용에 대한 자세한 내용은 ArubaOS User Guide를 참조하십시오.

## 미디어 꺼내기 버튼

W-650 시리즈에는 미디어 꺼내기 버튼이 있으며 이를 사용하여 저장 장치를 안전하게 꺼내고 시스템을 대기 상태로 만들 수 있습니다. 버튼을 누르면 USB를 통해 컨트롤러에 부착된 모든 저장 미디어 장치가 분리됩니다. 프린터와 EVDO 장치는 영향을 받지 않습니다.

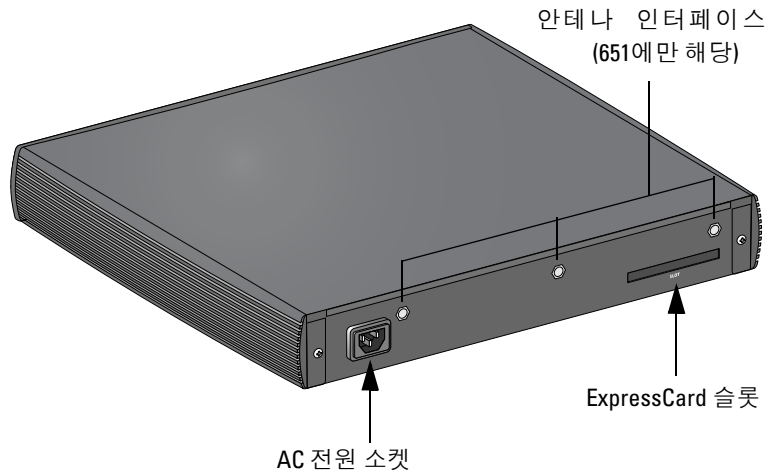
미디어 꺼내기 버튼을 누르면 W-650 시리즈의 상태가 변경됩니다. 다음 표는 미디어 꺼내기 버튼 사용과 관련된 상태 및 LED 작동에 대한 설명입니다.

**표 2 미디어 꺼내기 버튼 LED 표시 설명**

초기 상태	LED 상태	작동 방법	상태 LED	기능	최종 LED 표시
NAS 미디어 작동	녹색-고정	1~5초 동안만 미디어 꺼내기 버튼을 누르고 있습니다.	황색-깜박임	모든 NAS 미디어 분리	황색-고정
NAS 미디어 분리	황색-고정	1~5초 동안만 미디어 꺼내기 버튼을 누르고 있습니다.	황색-깜박임	연결된 모든 NAS 장치를 분리하고 완전한 작동 상태로 돌아갑니다.	녹색-고정
작동	녹색-고정	5초 이상 미디어 꺼내기 버튼을 누르고 있습니다.	빨간색-깜박임	컨트롤러가 대기 상태로 전환됨	빨간색-고정
NAS 미디어가 분리된 상태에서 작동	황색-고정	5초 이상 미디어 꺼내기 버튼을 누르고 있습니다.	빨간색-깜박임	컨트롤러가 대기 상태로 전환됨	빨간색-고정
대기	빨간색-고정	미디어 꺼내기 버튼을 누릅니다.	황색-깜박임	컨트롤러 활성화	녹색-고정

## 후면 보기

**그림 5 W-650 시리즈 후면 보기(651 표시)**



### AC 전원 소켓

W-650 시리즈는 내장 AC 전원을 지원하고 이 장치의 후면에 있는 AC 전원 소켓에 AC 전원 코드(국가마다 다름)를 사용합니다. 자세한 전원 사양에 대해서는 [17페이지](#)의 “전원 사양”을 참조하십시오.



## ExpressCard 슬롯

W-650 시리즈에는 EVDO 장치와 함께 사용할 수 있는 ExpressCard 슬롯 하나를 장착하고 있습니다.

## 안테나 인터페이스(W-651만 해당)

W-651에는 내부 액세스 포인트(AP)가 있습니다. 이 AP는 2.4GHz 및 5GHz 대역 및 a/b/g 또는 n 모드에서 작동합니다. 각 어플라이언스에는 이 키트에 포함된 안테나를 연결하기 위한 RP-SMA 인터페이스 3개가 있습니다.

## LED 상태 표시등

표 3 W-650 시리즈 LED 상태 표시등

LED	레이블	기능	표시등	상태
전원	POWER	입력 전원 상태 표시등	켜짐(녹색 고정)	전원 켜짐
			꺼짐	전원 없음
상태	STATUS	모듈 상태 표시등	켜짐(녹색 고정)	장치가 작동하는 중
			켜짐(빨간색 고정)	연결 실패 또는 대기 상태
			켜짐(황색 고정)	장치에 소프트웨어를 로드하는 중
			꺼짐	전원 없음
1000Base-X 포트(SFP)	LNK/ACT	연결 상태 표시등	켜짐(녹색 고정)	연결됨
			켜짐(녹색 깜박임)	포트를 통해 데이터를 송수신하는 중
10/100/1000Base-T 포트	LNK/ACT	연결/작동 상태 표시등	꺼짐	포트에 연결되지 않음
			켜짐(녹색 고정)	연결됨
			켜짐(녹색 깜박임)	포트를 통해 데이터를 송수신하는 중
	1000	인터페이스 속도	켜짐(녹색 고정)	1000Mbps
10/100/1000Base-T 포트 PoE 포함	LINK/ACT	연결/작동 상태 표시등	꺼짐	포트에 연결되지 않음
			켜짐(녹색 고정)	연결됨
			켜짐(녹색 깜박임)	포트를 통해 데이터를 송수신하는 중
	PoE	PoE 상태 표시등	켜짐(녹색 고정)	PoE가 제공되는 중
			켜짐(황색 고정)	연결된 장치에서 PoE를 요청했지만 포트에서 PoE를 제공하고 있지 않음
			꺼짐	PoE가 제공되고 있지 않음
			802.11 a/b/g/n AP (W-651 전용)	WLAN
			켜짐(녹색 고정)	802.11n 모드에서 무선 활성화됨
			켜짐(녹색 깜박임)	에어 모니터 모드
			꺼짐	무선 비활성화됨



## 설치 전 요구 사항

다음과 같은 도구와 장비가 있어야 W-650 시리즈 컨트롤러를 설치할 수 있습니다.

- 랙 장착 브래킷(2개, 테이블에 설치하는 경우 필요하지 않음)
- 적절한 드라이버
- AC 전원 코드(국가마다 다름)
- 왼쪽 및 오른쪽 베젤(랙 장착 시 사용하지 않음)



**경고:** 다음 절차를 수행하기 전에 컨트롤러와 함께 제공된 안전 지침을 검토하십시오.

### 텔레콤 랙의 경우:

- M3, 6mm x 0.5mm 십자 머리 나사(6개 포함)
- 12-24 x 5/8" 십자 머리 나사(4개 포함)

### 서버 랙의 경우:

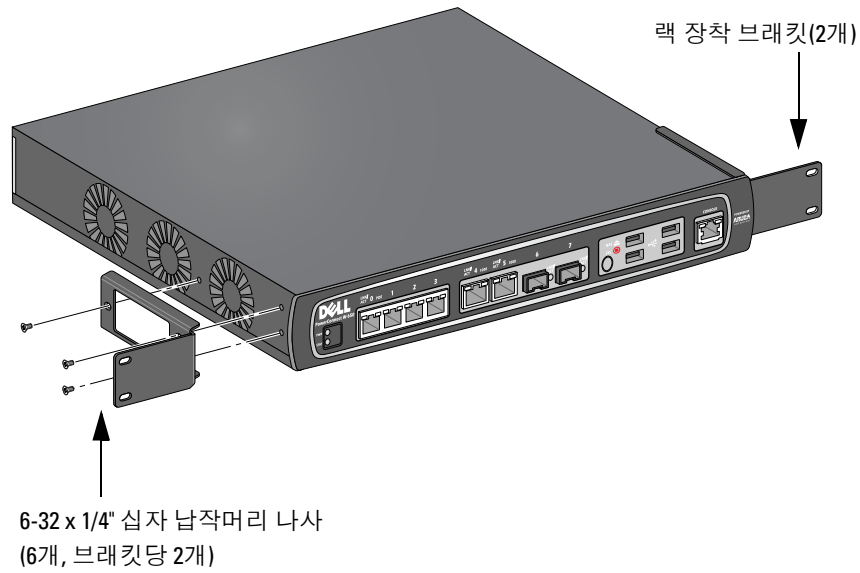
- M3, 6mm x 0.5mm 십자 머리 나사(6개 포함)
- M6 x 20mm 십자 머리 나사(4개 포함)
- M6 케이지 너트(4개 포함) 또는 M6 케이지 클립(4개 포함)

## 텔레콤 랙에 설치

W-650 시리즈 컨트롤러를 48.26cm(19인치) 텔레콤 랙 시스템에 설치하려면:

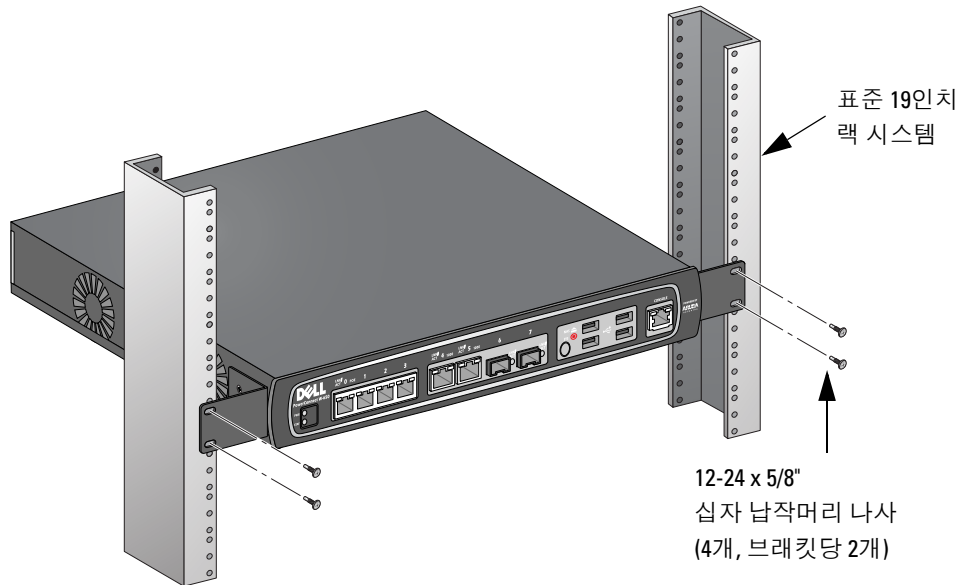
1. 컨트롤러 양쪽에 있는 장착 구멍에 랙 장착 브래킷을 놓습니다(그림 6 참조).
2. 세 개의 M3, 6mm x 0.5mm 십자 머리 나사와 드라이버를 사용하여 컨트롤러에 브래킷을 고정합니다.
3. 컨트롤러의 다른 쪽에도 이렇게 합니다.

**그림 6** 랙 장착 브래킷



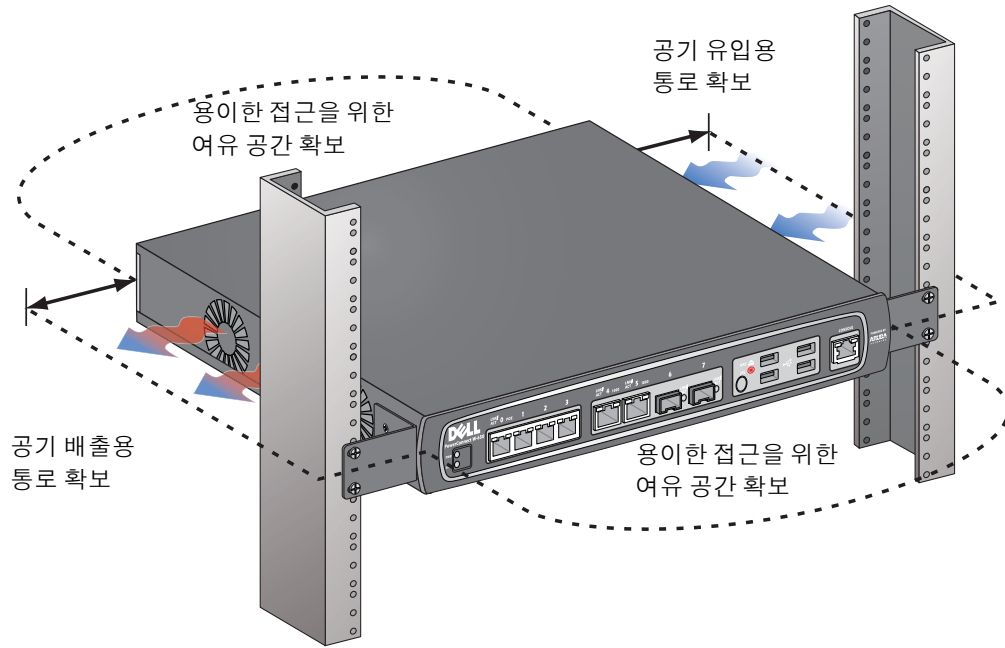
4. 네 개의 12-24 x 5/8" 십자 머리 나사와 드라이버를 사용하여 랙 시스템에 컨트롤러를 장착합니다(그림 7 참조).

**그림 7** 랙 장착 설치



5. 통풍을 위해 이 장치의 왼쪽 및 오른쪽에 최소 10cm(4인치)의 공간을 남겨둡니다(그림 8 참조).
6. 앞과 뒤쪽에는 전원 코드, 네트워크 케이블 및 LED 상태 표시등을 넣을 여유 공간을 남겨둡니다(그림 8 참조).

그림 8 공기 흐름 요구 사항



7. AC 전원 코드(국가마다 다름)를 장치의 뒤쪽에 연결합니다.
8. 컨트롤러에 전기를 공급하기 위해 전원 코드의 반대쪽을 콘센트에 연결합니다.



**참고:** W-650 시리즈 컨트롤러에는 장치를 켜고 끄는 스위치가 없습니다. 장치에 전기를 공급하려면 전원 코드의 플러그를 콘센트에 연결합니다.

## 서버 랙에 설치

W-650 시리즈 컨트롤러를 48.26cm(19인치) 서버 랙 시스템에 설치하려면:



**참고:** 다음 지침은 나사산이 없는 사각 구멍을 가진 랙에 컨트롤러를 설치하는 것을 설명합니다. 나사산이 없는 둥근 구멍을 가진 랙의 경우 대신 제공된 클립 너트를 사용합니다.

1. 컨트롤러 양쪽에 있는 장착 구멍에 랙 장착 브래킷을 놓습니다(그림 6 참조).
2. 세 개의 M3, 6mm x 0.5mm 십자 머리 나사와 드라이버를 사용하여 컨트롤러에 브래킷을 고정합니다.
3. 컨트롤러의 다른 쪽에도 이렇게 합니다.
4. 네 개의 케이지 너트를 설치합니다.

*케이지 너트 설치 도구를 사용하여 케이지 너트를 설치하려면:*

- a. 케이지의 아래쪽 끝을 레일 뒷면의 사각형 입구 바닥 위로 삽입하여 시작합니다.
- b. 케이지 너트 설치 도구의 작은 끝을 전방에서 보았을 때 레일의 입구를 통해 삽입하고 케이지 너트의 상단 끝에 도구를 겁니다.
- c. 도구를 위로 회전하고 케이지 너트의 상단 끝이 제 위치에 끼워질 때까지 도구를 사용자 쪽으로 당기면서 레일 방향으로 케이지 너트를 누릅니다.

납작 머리 드라이버를 사용하여 케이스 너트를 설치하려면:

- a. 케이스의 아래쪽 끝을 레일 뒷면의 사각형 입구 바닥 위로 삽입하여 시작합니다.
  - b. 납작 머리 드라이버를 사용하여 케이스 너트의 상단 끝을 누릅니다.
  - c. 끝을 누른 상태에서 케이스 너트의 끝을 레일 입구에 완전히 밀어 넣습니다.
  - d. 케이스 너트에서 드라이버의 압력을 풀어 제 자리에 밀어 넣습니다.
5. 네 개의 M6 x 20mm 십자 머리 나사와 드라이버를 사용하여 랙 시스템에 컨트롤러를 장착합니다.
  6. 통풍을 위해 이 장치의 왼쪽 및 오른쪽에 최소 10cm(4인치)의 공간을 남겨둡니다(그림 8 참조).
  7. 앞과 뒤쪽에는 전원 코드, 네트워크 케이블 및 LED 상태 표시등을 넣을 여유 공간을 남겨둡니다(그림 8 참조).
  8. AC 전원 코드(국가마다 다름)를 장치의 뒤쪽에 연결합니다.
  9. 컨트롤러에 전기를 공급하기 위해 전원 코드의 반대쪽을 콘센트에 연결합니다.



**참고:** W-650 시리즈 컨트롤러에는 장치를 켜고 끄는 스위치가 없습니다. 장치에 전기를 공급하려면 전원 코드의 플러그를 콘센트에 연결합니다.

## 테이블에 설치

W-650 시리즈 컨트롤러를 테이블과 같이 평평한 곳에 설치하려면:

1. 고무 장착 다리 4개를 장치 밑에 놓습니다.
2. 측면 베젤을 제 위치에 끼워 부착합니다.
3. 장치를 평평한 곳에 놓습니다.

## 초기 설정 및 네트워크 연결

장치를 설치했다면 컨트롤러에서 초기 설정을 수행하여 IP 주소와 기타 기본적인 시스템 정보를 구성합니다. 자세한 내용과 지침을 보려면 *ArubaOS Quick Start Guide*를 참조하십시오.

## 장치 분리

W-650 시리즈 컨트롤러를 48.26cm(19인치) 랙 시스템에서 분리하려면:

1. 콘센트에서 전원 코드를 뽑아 컨트롤러의 전기 공급을 중단합니다.
2. 컨트롤러에 연결된 모든 케이블 또는 장치를 분리합니다.
3. 컨트롤러와 랙 시스템을 고정한 랙 장착 나사 4개를 풀습니다.
4. 랙 시스템에서 컨트롤러를 분리합니다.

## 실제 사양

장치 치수(랙 장착 브래킷 제외)

- 높이 38mm(1.5인치)
- 너비 346mm(13.6인치)
- 깊이 226mm(8.9인치)

## 전원 사양

- AC 입력 전압: 100-240V, 범용 입력
- AC 입력 주파수: 50-60Hz
- 최대 전력 소비: 126W
- 이더넷 전원 장치 총 용량: 78W
- 포트별 이더넷 전원 장치 용량: 19.5W

## 운용 사양

- 운용 온도 범위: 0°C ~ 40°C(32°F ~ 104°F)
- 운용 습도 범위: 5% ~ 95%(RH), 비응축

## 보관 사양

- 보관 온도 범위: 0°C ~ 50°C(32°F ~ 122°F)
- 보관 습도 범위: 5% ~ 95%(RH), 비응축

## 무선 사양(W-651 내부 AP)

### AP 유형

- 최대 300 Mbps의 데이터 속도를 제공하는 단일 무선, 3x3 MIMO(Multiple-In, Multiple-Out)

### 운용 주파수

- 2.4-2.5GHz 또는 5.150-5.950GHz

### 사용할 수 있는 채널

- 모빌리티 컨트롤에 의해 관리되며, 구성된 규정 도메인에 종속됨.

### 변조

- 802.11b: 직접 시퀀스 확산 스펙트럼(DSSS)
- 802.11a/g: 직교 주파수 분할 다중(OFDM)
- 802.11n: 802.11n 초안 2.0

## 송신 출력

- 0.5dBm 단위로 구성 가능

## 연계 속도(Mbps)

- 802.11b: 11, 5.5, 2, 1 자동 대체 포함
- 802.11a/g: 54, 48, 36, 24, 18, 12, 9, 6 자동 대체 포함
- 802.11n: MCS0 - MCS15(6.5Mbps - 300Mbps)

## 802.11n 고처리율(HT) 지원

- HT 20
- HT 40

## 802.11n 패킷 집합

- A-MPDU
- A-MSDU

## 안테나(W-651 내부 AP)

- 외부 안테나 지원용 RP-SMA 인터페이스 3개(최대 3x3 MIMO 지원-공간 다이버시티 포함)
- AP-ANT-1B 전방향 듀얼 밴드 안테나 3개 포함

## 안전 및 규정 준수

Dell은 모든 Dell 하드웨어 제품에 대한 국가 특정 제한 및 추가 안전과 규정 정보가 들어 있는 다국어 문서를 제공합니다. *Dell PowerConnect W-Series Safety, Environmental, and Regulatory Information* 문서는 본 제품에 포함되어 있습니다.



**주의:** 이 설명서에 명시한 것 이외의 컨트롤 사용이나 성능 또는 절차를 조정하면 위험한 방사선 노출이 발생할 수 있습니다.

이 제품은 21 CFR Chapter 1, Subchapter J, Part 1040.10 및 IEC 60825-1: 1993, A1: 1997, A2: 2001, IEC 60825-2: 2000을 준수합니다.

앞서 설명한 레이저 안전 표준을 계속 준수하려면 승인된 공급업체의 승인된 Class 1 모듈만 Dell 제품에 설치해야 합니다.



## FCC Class B 장치

이 장치는 FCC 규정 Part 15에 준하여 테스트되었으며 Class B 디지털 장치의 제한을 준수하는 것으로 판명되었습니다. 이런 제한은 거주지에서 유해한 혼신으로부터 적절히 보호하기 위해 도입되었습니다. 이 장비는 무선 주파수 에너지를 생성, 사용 및 방사할 수 있으며 지침에 맞게 설치 및 사용하지 않는 경우 무선 통신에 유해한 혼신이 발생할 수 있습니다. 그러나 특정 설치 상태에서 혼신이 발생하지 않을 것이라는 보장은 없습니다. 이 장비로 인해 무선 또는 TV 수신에 유해한 혼신이 발생하는 경우(장비를 켜거나 꺼서 확인 가능한 혼신) 사용자는 다음 방법 중 하나를 통해 혼신이 나타나지 않도록 하는 것이 좋습니다.

- 수신 안테나의 위치나 방향을 바꿉니다.
- 장비와 수신기 간의 거리를 더 멀리합니다.
- 장비를 수신기가 연결된 전원 콘센트가 아닌 다른 콘센트에 연결합니다.
- 대리점 또는 숙련된 라디오/TV 기술자에게 도움을 요청하십시오(전문 설치 기사 도움을 받도록 이를 수정할 수 있음).

국가별 Dell 규정 목록을 모두 보려면 담당자에게 문의하십시오.

## RF 방사선 노출 성명서

이 장비는 FCC RF 방사선 노출 제한을 준수합니다. 이 장비는 2.4GHz 및 5GHz 작동을 위해 방사기와 본체 사이를 최소 35cm(13.78인치)의 거리를 두고 설치하고 작동해야 합니다. 이 송신기는 다른 안테나 또는 송신기와 연동하여 같은 위치에 설치하거나 작동시켜서는 안 됩니다. 5.15 ~ 5.25GHz 주파수 범위에서 작동할 때, 이 장비는 공동 채널 Mobile Satellite System과의 유해한 방해 가능성을 줄이기 위해 실내 사용으로 제한됩니다.

### W-650

- EN 55022 Class B
- EN 55024
- IEC/EN 60950
- CE 마크
- cTUVus 표시됨
- CB Scheme 인증됨

### W-651

- FCC 15.247/15.407
- EU R&TTE 지침 1999/5/EC(EN 300 328, EN 301 893, EN 301 489)
- EU LV 지침 2006/95/EC
- IEC/EN 60950
- CE 마크
- cTUVus 표시됨
- CB Scheme 인증됨

국가별 Dell 규정 목록을 모두 보려면 담당자에게 문의하십시오.

## NOM 정보(멕시코만 해당)

다음 정보는 공식 멕시코 표준(NOM)의 요구 사항을 준수하여 이 문서에서 설명하는 장치에 제공됩니다.

수입자: Dell Inc. de Mexico, S.A. de C.V.  
Paseo de la Reforma 2620-11° Piso  
Col. Lomas Atlas  
11950 Mexico, D.F.

모델 번호: 650/651

- 공급 전압: 100-240V AC
- 주파수: 47-63Hz
- 전류 소비: 2.0A

## Dell 장비의 적절한 폐기

지구 환경 준수 및 Dell 제품에 대한 최신 정보는 이 제품에 포함된 *Dell PowerConnect W-Series Safety, Environmental, and Regulatory Information* 문서를 참조하거나 [www.dell.com](http://www.dell.com) 웹 사이트를 참조하십시오.

### EU RoHS

**RoHS** Dell 제품은 EU RoHS(Restriction of Hazardous Substances) 지침 2002/95/EC도 준수합니다. EU RoHS는 전기 및 전자 장비 제조업체에서 특정한 위험 물질의 사용을 제한합니다. 특히 RoHS 지침에서 제한하는 물질은 납(인쇄된 회로 어셈블리에 사용하는 뿔납 포함), 카드뮴, 수은, 6가 크롬 및 브롬입니다. 일부 Dell 제품은 RoHS 지침 Annex 7에 나열된 면제에 적용됩니다(인쇄 회로 어셈블리에 사용되는 뿔납의 납). 제품과 포장에는 왼쪽의 “RoHS” 레이블이 부착되어 있으며, 이는 지침에 대한 준수를 나타내는 것입니다.

# Dell PowerConnect W-650 控制器 安裝指南



## 版權

© 2010 Aruba Networks, Inc. AirWave®、Aruba Networks®、Aruba Mobility Management System®、及其他註冊商標是 Aruba Networks, Inc. 的商標。Dell™、DELL™ 商標及 PowerConnect™ 是 Dell Inc. 的商標。

保留所有權利。本手冊規格如有改變，恕不通知。

源於美國。本手冊中出現的其他商標都是其各自公司的財產。

## 開放原始碼

某些 Aruba 產品包含由協力供應商開發的開放源軟體代碼，其中包括須遵照 GNU 通用公共許可證 (General Public License, GPL)、GNU 寬通用公共許可證 (Lesser General Public License, LGPL) 或其他開放源許可證規定使用的軟體代碼。可在以下網站上找到所使用的開放原始碼：

[http://www.arubanetworks.com/open\\_source](http://www.arubanetworks.com/open_source)

## 法律聲明

任何個人或公司，只要其使用 Aruba Networks, Inc. 交換平台和軟體來端接其他供應商的 VPN 用戶端設備，即表明該人或公司對此行為承擔全部責任，並會代表這些供應商，在 Aruba Networks, Inc. 萬一遭受任何以及所有與版權侵犯有關的法律訴訟時，為其承擔全部傷害和損失賠償。

# 目錄

<b>前言</b>	<b>5</b>
綜述	5
相關文件	5
聯絡 Dell	5
<b>第 1 章</b>	<b>關於 W-650 系列控制器</b> ..... <b>7</b>
最低軟體要求	7
包裝核對清單	7
硬體型號摘要	8
正視圖	8
1000Base-X (SFP) 埠	8
10/100/1000Base-T 十億位元乙太網路埠	8
串列控制臺埠	9
串列控制臺埠連接器	9
USB 埠	9
媒體彈出按鈕	10
後視圖	10
交流電源插座	10
ExpressCard 插槽	10
天線介面 (僅限 W-651)	10
LED 狀態指示燈	11
<b>第 2 章</b>	<b>W-650 系列安裝</b> ..... <b>13</b>
安裝前要求	13
對於電信機架：	13
對於伺服器機架：	13
在電信機架中安裝	13
在伺服器機架中安裝	15
桌面部署	16
初始設定與網路連接	16
拆卸	16
<b>附錄 A</b>	<b>規格、安全性和符合規範</b> ..... <b>17</b>
實體規格	17
電源規格	17
工作規格	17
儲存規格	17
無線射頻規格 (W-651 內置式 AP)	17
AP 類型	17
工作頻率	17
可用頻道	17
調製	17
傳輸功率	18
關聯速率 (Mbps)	18
802.11n 高吞吐量 (High-Throughput, HT) 支援	18

802.11n 分組融合 .....	18
天線 (W-651 內置式 AP) .....	18
安全性及符合規範 .....	18
FCC B 類裝置 .....	19
射頻輻射暴露聲明 .....	19
W-650 .....	19
W-651 .....	19
NOM 資訊 (僅墨西哥) .....	20
Dell 設備的正確處置 .....	20
歐盟 RoHS .....	20

本前言包括以下資訊：

- 本手冊內容總覽
- 供進一步閱讀的相關文件清單
- 支援和服務資訊

## 綜述

- 第 1 章，「關於 W-650 系列控制器」（第 7 頁）提供對 W-650 系列詳細的硬體摘要。
- 第 2 章，「W-650 系列安裝」（第 13 頁）提供機架安裝和安裝說明。
- 附錄 A，「規格、安全性和符合規範」（第 17 頁）包含產品技術規格、安全以及符合規範資訊。

## 相關文件

本指南中引用了以下文件，可以將它們視為成功執行 Dell 移動控制器安裝和管理所需的完整文件集的組成部分。

- *Dell PowerConnect ArubaOS 5.0 快速入門指南*
- *Dell PowerConnect ArubaOS 5.0 使用者指南*
- *Dell PowerConnect ArubaOS 5.0 指令行參考*

## 聯絡 Dell

網站支援	
主網站	<a href="http://www.dell.com">www.dell.com</a>
支援網站	<a href="http://support.dell.com">support.dell.com</a>
文件	<a href="http://support.dell.com/manuals">support.dell.com/manuals</a>
軟體	<a href="https://download.dell-pcw.com">https://download.dell-pcw.com</a>





Dell PowerConnect W-650 系列控制器是一個企業級無線 LAN 控制器。此控制器用於連接、控制無線接入點 (Access Point, AP) 和無線監測器 (Air Monitor, AM)，以及將它們整合到有線 LAN 系統中。

- W-650 最多能夠支援 16 個外置式園區 AP。
- W-651 不但具有一個內置式 AP，還最多能夠支援 16 個外置式園區 AP。

### 最低軟體要求

W-650 系列控制器要求使用 ArubaOS 5.0.2 或更高版本。



**注意：**主控制器、其備用主控制器以及它的所有本地控制器都必須執行相同版本的 ArubaOS。當您升級網路並將 W-650 系列移動控制器安裝到您的網路中後，請確認控制器上的軟體版本是否與網路其餘部分所使用的軟體版本一致。

### 包裝核查清單

- W-650 系列移動控制器
- 交流電源線（因國家而異）
- 機架安裝托架
- 用於伺服器 and 電信機架系統的機架安裝金屬構件
- 左側蓋板（未安裝）
- 右側蓋板（未安裝）
- 橡膠腳墊（用於桌面部署）
- 扁型串列電纜 (RJ-45)
- 串列電纜埠連接器（RJ-45 轉 DB9）
- 雙頻高增益全向可拆卸式天線（3 個）
- *Dell PowerConnect ArubaOS 快速入門指南*
- *最終使用者許可合約 (End User License Agreement, EULA)*
- *安全、環保和符合規範資訊 (Safety, Environmental, and Regulatory Information, SERI) 文件*
- *保修和支援資訊 (Warranty and Support Information, WSI) 文件*

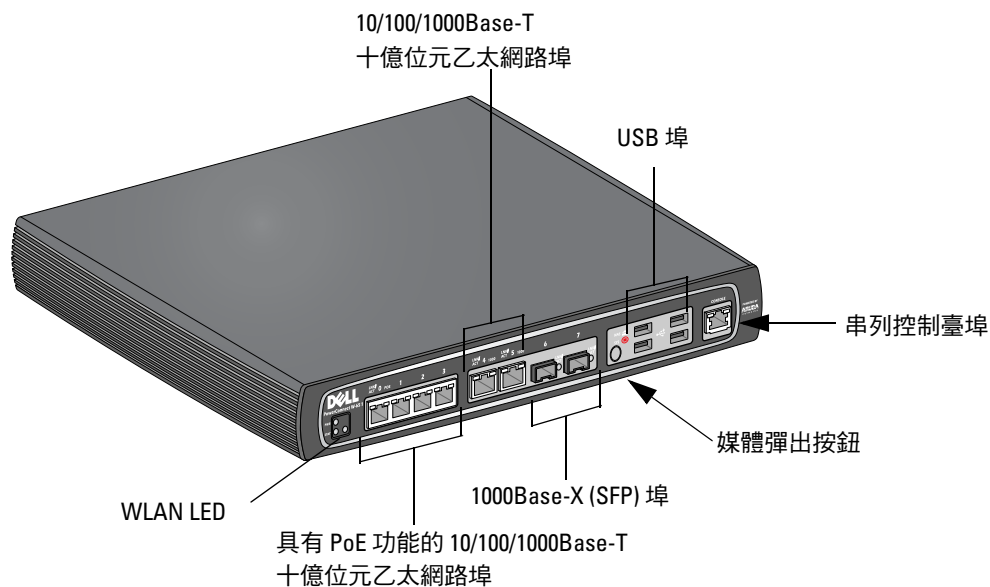


**注意：**如果發現任何不正確、缺失或損壞的部件，請通知您的供應商。請盡可能保留包裝箱，包括原始包裝材料。必要時，可以利用這些材料重新包裝裝置，將其退回給供應商。

# 硬體型號摘要

## 正視圖

圖 1 W-650 系列正視圖



### 1000Base-X (SFP) 埠

有兩個專用於光纖連接的 1000Base-X 埠，專供與 Dell W 系列 SFP（迷你 GBIC）配合使用。要購買相容的 SFP 模組，請聯絡您的 Dell 銷售代表，以了解詳細資訊和獲得協助。

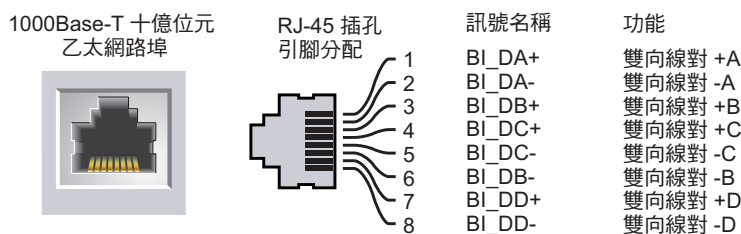


**注意：** Dell 對在其控制器系統內使用 Dell 光纖產品進行了測試，並支援使用這些產品。協力供應商光纖產品未經過測試或得到支援，因此，Dell 不能保證在 Dell 系統內使用協力供應商光纖產品時能夠發揮它們的正常功能。

### 10/100/1000Base-T 十億位元乙太網路埠

W-650 系列上有六個 10/100/1000Base-T 十億位元乙太網路 (RJ-45) 埠。十億位元乙太網路使用所有八條芯線，每一對芯線都以雙向方式使用，也就是說，同一芯線對既用於資料傳輸，又用於資料接收。圖 2 圖解說明了 RJ-45 連接器上的 CAT-5 引腳分配。CAT-5 引腳分配將 10/100/1000Base-T 十億位元乙太網路埠上的以下引腳組對：1/2、3/6、4/5 和 7/8。

圖 2 十億位元乙太網路埠引腳分配



## 串列控制臺埠

提供了一個串列控制臺埠，用於與終端相連，以實現直接本地管理。

圖 3 串列控制臺埠引腳分配

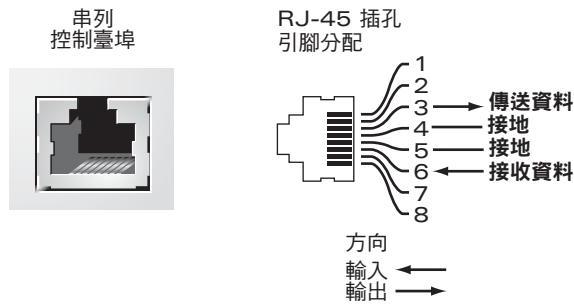


表 1 中列有序列埠的通訊設定。

表 1 控制臺終端設定

串列傳輸速率	數據位元	奇偶驗證	停止位	流控制
9600	8	無	1	無

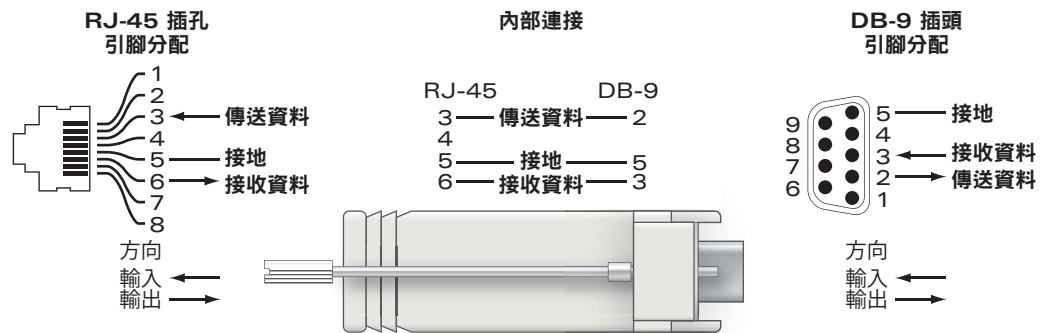


**小心：** 請勿將 AP 連接到串列控制臺埠。串列控制臺埠只相容 RS-232 裝置，不支援非 RS-232 裝置，例如 AP。

## 串列控制臺埠連接器

可以使用模組連接器將 RJ-45 (插孔) 連接器轉換為 DB9 (插頭) 連接器。有關完整的詳細資訊，請參閱圖 4。

圖 4 RJ-45 (插孔) 轉 DB-9 (插頭) 模組連接器轉換



## USB 埠

W-650 系列擁有四個 USB 2.0 介面。可以透過該介面使用 EVDO/HSPDA 數據機，快閃記憶體或磁片儲存裝置，或印表機。有關組態 USB 裝置與 W-650 系列一起使用的詳細資訊，請參閱 *ArubaOS 使用者指南*。

## 媒體彈出按鈕

W-650 系列配備了一個媒體彈出按鈕，使用者可以利用它安全地彈出儲存裝置，以及將系統轉入待機模式。按下該按鈕時，即會移除安裝透過 USB 與控制器相連的儲存媒體裝置。印表機和 EVDO 裝置不受影響。

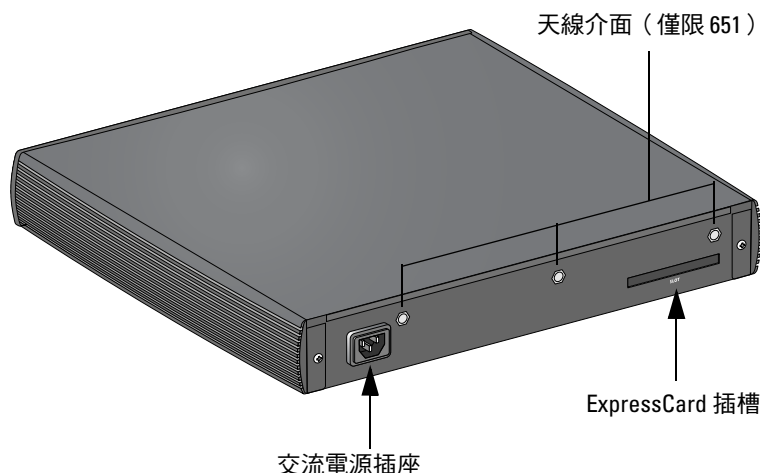
按媒體彈出按鈕會改變 W-650 系列的狀態，下表說明了這些狀態，以及與使用媒體彈出按鈕有關的 LED 行為。

表 2 媒體彈出按鈕 LED 行為

初始狀態	LED 狀態	操作	狀態 LED	功能	操作完成 LED 狀態
NAS 媒體執行	綠燈常亮	按住媒體彈出按鈕 1 至 5 秒	黃燈閃爍	移除安裝所有 NAS 媒體	黃燈常亮
NAS 媒體移除安裝	黃燈常亮	按住媒體彈出按鈕 1 至 5 秒	黃燈閃爍	裝載所有連接的 NAS 裝置，並復原全功能執行	綠燈常亮
執行	綠燈常亮	按住媒體彈出按鈕 5 秒以上	紅燈閃爍	控制器轉入待機模式	紅燈常亮
執行 ( 移除安裝 NAS 媒體 )	黃燈常亮	按住媒體彈出按鈕 5 秒以上	紅燈閃爍	控制器轉入待機模式	紅燈常亮
待機	紅燈常亮	按媒體彈出按鈕	黃燈閃爍	控制器喚醒	綠燈常亮

## 後視圖

圖 5 W-650 系列後視圖 ( 所示為 651 )



### 交流電源插座

W-650 系列支援整合式交流供電，裝置後部的交流電源插座供與交流電源線（因國家而異）配合使用。有關電源規格的詳細資訊，請參閱第 17 頁的「電源規格」。

### ExpressCard 插槽

W-650 系列配備了一個 ExpressCard 插槽，可用於 EVDO 裝置。

### 天線介面 ( 僅限 W-651 )

W-651 配備了一個內置接入點 (Access Point, AP)。此 AP 可在 2.4 GHz 和 5 GHz 頻帶下，以 a/b/g 或 n 模式工作。每台裝置都擁有三個 RP-SMA 介面，用於連接此套件中包含的天線。

# LED 狀態指示燈

表 3 W-650 系列 LED 狀態指示燈

LED	標籤	功能	指示燈	狀態
電源	POWER (電源)	輸入電源狀態指示燈	亮 (綠燈常亮)	通電
			不亮	不通電
狀態	STATUS (狀態)	模組狀態指示燈	亮 (綠燈常亮)	裝置執行中
			亮 (紅燈常亮)	裝置故障或處於待機狀態
			亮 (黃燈常亮)	裝置正在載入軟體
			不亮	不通電
1000Base-X 埠 (SFP)	LNK/ACT (鏈路/工作)	鏈路狀態指示燈	亮 (綠燈常亮)	鏈路已建立
			亮 (綠燈閃爍)	埠正在傳輸或接收資料
			不亮	埠上無鏈路
100/1000Base-T 埠	LNK/ACT (鏈路/工作)	鏈路/工作狀態指示燈	亮 (綠燈常亮)	鏈路已建立
			亮 (綠燈閃爍)	埠正在傳輸或接收資料
			不亮	埠上無鏈路
	1000	介面速度	亮 (綠燈常亮)	1000 Mbps
			不亮	10/100 Mbps
100/1000Base-T 埠 (具有 PoE 功能)	LINK/ACT (鏈路/工作)	鏈路/工作狀態指示燈	亮 (綠燈常亮)	鏈路已建立
			亮 (綠燈閃爍)	埠正在傳輸或接收資料
			不亮	埠上無鏈路
	PoE (乙太網路供電)	PoE 狀態指示燈	亮 (綠燈常亮)	正在提供 PoE
			亮 (黃燈常亮)	連接的裝置請求提供 PoE，但埠未提供 PoE
			不亮	未提供 PoE
802.11 a/b/g/n AP (僅 W-651)	WLAN	AP 狀態	亮 (黃燈常亮)	已在 WLAN 模式下啟用了無線電
			亮 (綠燈常亮)	已在 802.11 模式下啟用了無線電
			亮 (綠燈閃爍)	無線監測器模式
			不亮	無線電被停用



## 安裝前要求

安裝 W-650 系列控制器需要使用以下工具和設備。

- 機架安裝托架（2 個，進行桌面安裝時不使用）
- 適用的螺絲刀
- 交流電源線（因國家而異）
- 左側和右側蓋板（進行機架安裝時不使用）



---

**警告：** 在執行以下步驟之前，請檢視控制器附帶的安全說明。

---

### 對於電信機架：

- M3，6mm x 0.5mm 十字槽沉頭螺絲（6 個，附帶）
- 12-24 x 5/8" 十字槽沉頭螺絲（4 個，附帶）

### 對於伺服器機架：

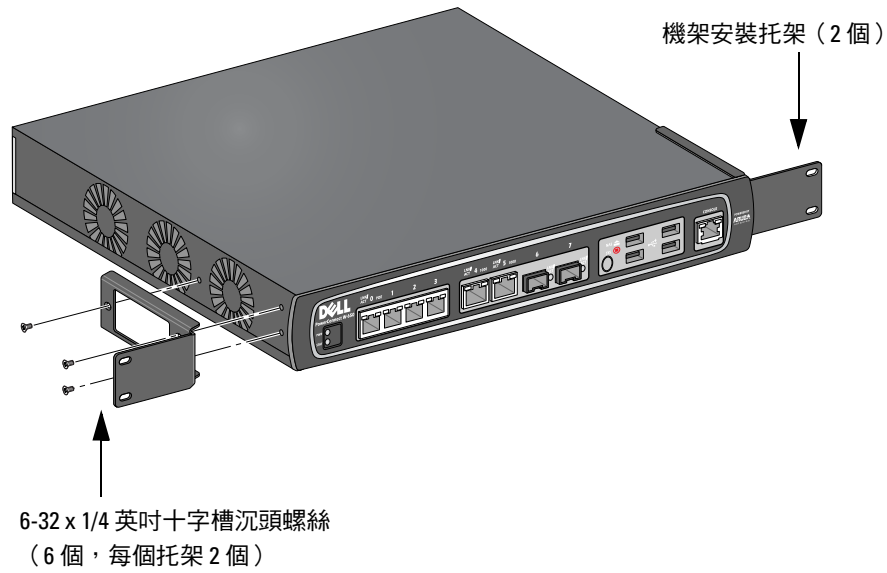
- M3，6mm x 0.5mm 十字槽沉頭螺絲（6 個，附帶）
- M6 x 20mm 十字槽沉頭螺絲（4 個，附帶）
- M6 鎖緊螺帽（4 個，附帶）或 M6 鎖緊夾（4 個，附帶）

## 在電信機架中安裝

要將 W-650 系列控制器安裝到 19 英吋（48.26 釐米）電信機架系統中：

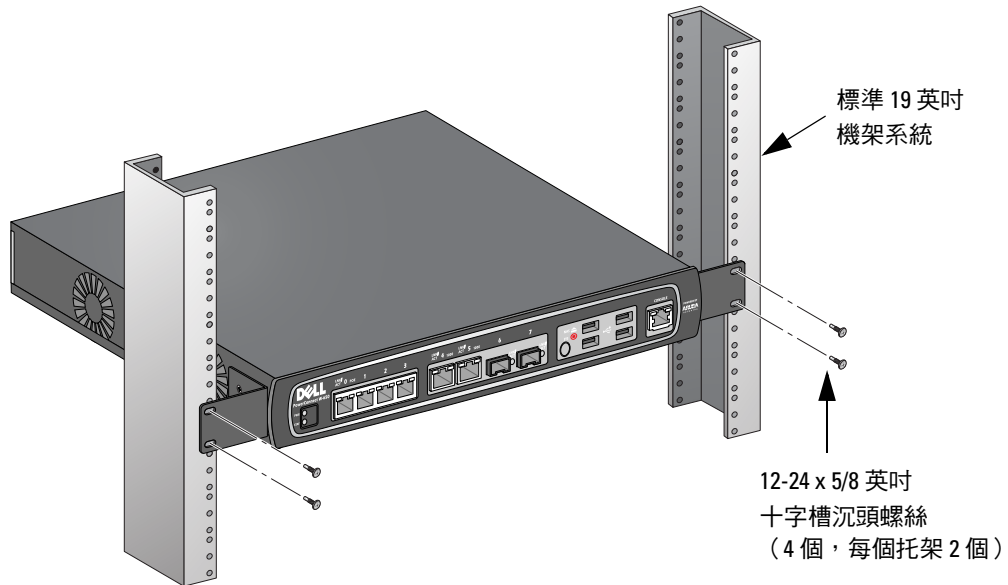
1. 將一個機架安裝托架置於控制器一側的安裝孔上（請參閱圖 6）。
2. 使用三個 M3，6mm x 0.5mm 十字槽沉頭螺絲和一把螺絲刀將托架固定在控制器上。
3. 在控制器的對側重複以上步驟。

圖 6 機架安裝托架



4. 使用四個 12-24 x 5/8 英吋十字槽沉頭螺絲和一把適用的螺絲刀將控制器安裝到貴組織的機架系統內（請參閱圖 7）。

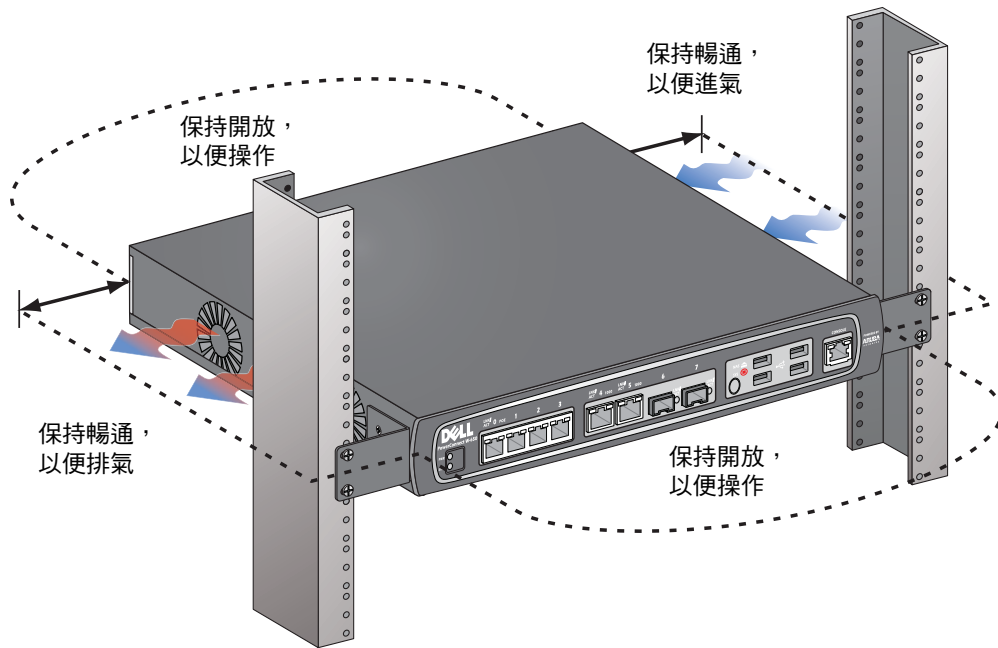
圖 7 機架安裝



5. 在裝置的左右兩側至少留出四英吋（10 釐米）的空間，以便氣流通暢和通風（請參閱圖 8）。
6. 在裝置的前部和後部留出額外空間，以便插接電源線、網線，以及檢視 LED 狀態指示燈（請參閱圖 8）。



圖 8 空氣流動要求



7. 將交流電源線（因國家而異）連接到裝置後部。
8. 將電源線的一端插入電源插座，為控制器供電。

**注意：** W-650 系列控制器沒有用於開啟或關閉裝置電源的開關。裝置的供電控制是透過將電源線插頭插入電源插座，或是從中拔出來實現。

## 在伺服器機架中安裝

要將 W-650 系列控制器安裝到 19 英寸（48.26 釐米）伺服器機架系統中：

**注意：** 下列說明說明了在具有無螺紋方形孔的機架中安裝控制器的步驟。對於具有無螺紋圓形孔的機架，請改用提供的對開螺帽。

1. 將一個機架安裝托架置於控制器一側的安裝孔上（請參閱圖 6）。
2. 使用三個 M3，6mm x 0.5mm 十字槽沉頭螺絲和一把螺絲刀將托架固定在控制器上。
3. 在控制器的對側重複以上步驟。
4. 安裝四個鎖緊螺帽。

*要使用鎖緊螺帽安裝工具安裝鎖緊螺帽：*

- a. 先插入鎖緊螺帽的下緣，但要位於軌道後部方形開口底部上方。
- b. 將鎖緊螺帽安裝工具的小端穿過軌道中的開口（從前部），將工具鉤在鎖緊螺帽的上緣上。
- c. 將鎖緊螺帽朝著軌道推入，同時向上轉動工具，並朝著您的方向回拉工具，直至鎖緊螺帽的上緣「啞嗒」一音效卡入到位。

要使用沉頭螺絲刀安裝鎖緊螺帽：

- a. 先插入鎖緊螺帽的下緣，但要位於軌道後部方形開口底部上方。
  - b. 使用沉頭螺絲刀壓住鎖緊螺帽的上緣。
  - c. 一面壓住上緣，一面將鎖緊螺帽的上緣完全推入軌道中的開口。
  - d. 釋放螺絲刀施加給鎖緊螺帽的壓力，將其鎖緊到位。
5. 使用四個 M6 x 20mm 十字槽沉頭螺絲和一把適用的螺絲刀將控制器安裝到貴組織的機架系統內。
  6. 在裝置的左右兩側至少留出四英吋（10 釐米）的空間，以便氣流通暢和通風（請參閱圖 8）。
  7. 在裝置的前部和後部留出額外空間，以便插接電源線、網線，以及檢視 LED 狀態指示燈（請參閱圖 8）。
  8. 將交流電源線（因國家而異）連接到裝置後部。
  9. 將電源線的另一端插入電源插座，為控制器供電。



**注意：** W-650 系列控制器沒有用於開啟或關閉裝置電源的開關。裝置的供電控制是透過將電源線插頭插入電源插座，或是從中拔出來實現。

## 桌面部署

要將 W-650 系列控制器部署在平面（例如桌面）上：

1. 將四個安裝橡膠墊插入裝置底部。
2. 按壓側蓋板，使其吧嗒一音效卡入到位。
3. 將裝置置於一個堅固的平面上。

## 初始設定與網路連接

實體安裝完成後，在控制器上執行初始設定，以組態 IP 位址和其他基本系統資訊。有關完整的詳細資訊和說明，請參閱 *ArubaOS 快速入門指南*。

## 拆卸

要將 W-650 系列控制器從 19 英吋（48.26 釐米）機架系統上卸下：

1. 從電源插座上拔出電源線，斷開給控制器的供電。
2. 斷開與控制器相連的所有其他電纜或裝置。
3. 鬆開用於將控制器固定在貴組織機架系統上的四個機架安裝螺絲。
4. 從機架系統上卸下控制器。

## 實體規格

裝置尺寸（不含機架安裝托架）

- 高度 1.5 英吋（38 公釐）
- 寬度 13.6 英吋（346 公釐）
- 深度 8.9 英吋（226 公釐）

## 電源規格

- 交流輸入電壓：100-240 V，通用輸入
- 交流輸入頻率：50-60 Hz
- 最大功率消耗：126 W
- 乙太網路供電總功率：78 W
- 乙太網路供電每埠功率：19.5 W

## 工作規格

- 工作溫度範圍：0°C 至 40°C（32°F 至 104°F）
- 工作濕度範圍：5% 至 95%（相對濕度），無冷凝

## 儲存規格

- 儲存溫度範圍：0°C 至 50°C（32°F 至 122°F）
- 儲存濕度範圍：5% 至 95%（相對濕度），無冷凝

## 無線射頻規格（W-651 內置式 AP）

### AP 類型

- 單射頻、3x3 多重輸入多重輸出（Multiple-In, Multiple-Out, MIMO），可提供高達 300 Mbps 的資料傳輸率

### 工作頻率

- 2.4-2.5 GHz 或 5.150-5.950 GHz

### 可用頻道

- 由移動控制器管理，取決於所組態的控管領域

### 調製

- 802.11b：直接序列擴頻（Direct-Sequence Spread-Spectrum, DSSS）
- 802.11a/g：正交頻分複用（Orthogonal Frequency Division Multiplexing, OFDM）
- 802.11n：802.11n 草案 2.0 版

## 傳輸功率

- 可以 0.5 dBm 為增量進行組態

## 關聯速率 (Mbps)

- 802.11b：11、5.5、2、1，具有自動低效執行功能
- 802.11a/g：54、48、36、24、18、12、9、6，具有自動低效執行功能
- 802.11n：MCS0 - MCS15 (6.5Mbps - 300Mbps)

## 802.11n 高吞吐量 (High-Throughput, HT) 支援

- HT 20
- HT 40

## 802.11n 分組融合

- A-MPDU
- A-MSDU

## 天線 (W-651 內置式 AP)

- 三個用於支援外置式天線的 RP-SMA 介面 (最多可支援 3x3 具有空間分集功能的 MIMO)
- 附帶三支 AP-ANT-1B 全向雙頻天線

## 安全性及符合規範

Dell 提供了一個多語言文件，其中包含所有 Dell 硬體產品的國家特定限制以及其他安全性和符合規範資訊。本產品附帶了 *Dell PowerConnect W 系列安全、環保和符合規範資訊文件*。



**小心：** 所進行的效能或程式控制或調整如果不是本手冊中規定的控制和調整，可能會導致危險的輻射暴露。

本產品符合 21 CFR 第 1 章第 J 分章第 1040.10 部分，以及 IEC 60825-1: 1993、A1: 1997、A2: 2001、IEC 60825-2: 2000。

要繼續遵守以上雷射安全標準，應在 Dell 產品中安裝由我們認可的供應商生產的、經過認證的 1 類模組。

## FCC B 類裝置

本設備經測試證明符合 FCC 規章第 15 部分有關 B 級數位裝置的限制規定。這些限制旨在對設備在住宅環境中安裝時產生的有害干擾提供合理防護。本設備可產生、使用並會發射無線射頻能量，如果不按照說明進行安裝和使用，有可能對無線電通訊產生有害的干擾。但並不保證特定安裝不會發生干擾。如果本設備確實對無線電或電視接收產生了有害干擾（可透過開關設備進行確認），建議使用者透過下列其中一種或多種方式修正干擾：

- 調整接收天線的方向或位置。
- 加大設備與接收器的間隔距離。
- 將設備連接到與接收器不同電路的電源插座上。
- 諮詢經銷商或有經驗的無線電/電視技術人員，請其提供協助（我們可以將此措施修改為建議向專業安裝人員求助）。

如果想獲得各國符合規範的完整清單，請諮詢 Dell 代表。

## 射頻輻射暴露聲明

本設備符合 FCC 射頻輻射限制性規定。在安裝和操作本設備時，如果是在 2.4 GHz 和 5 GHz 下進行操作，發射器與您身體之間的距離至少要達到 13.78 英寸（35 釐米）。本發射器不得與任何其他天線或發射器置於同一位置，也不得與它們一起工作。在 5.15 至 5.25 GHz 頻段下操作時，本裝置僅限在室內使用，以降低對同頻道移動衛星系統產生有害干擾的可能性。

## W-650

- EN 55022 B 級
- EN 55024
- IEC/EN 60950
- CE 標誌
- cTUVus 標誌
- CB 體系認證

## W-651

- FCC 15.247/15.407
- 歐盟 R&TTE 法令 1999/5/EC（EN 300 328、EN 301 893、EN 301 489）
- 歐盟低電壓法令 2006/95/EC
- IEC/EN 60950
- CE 標誌
- cTUVus 標誌
- CB 體系認證

如果想獲得各國符合規範的完整清單，請諮詢 Dell 代表。

## NOM 資訊 (僅墨西哥)

按照墨西哥官方標準 (NOM) 的要求，本文件所述裝置上提供了下列資訊：

進口商： Dell Inc. de Mexico, S.A. de C.V.  
Paseo de la Reforma 2620-11° Piso  
Col. Lomas Atlas  
11950 Mexico, D.F.


型號：650/651

- 電源電壓：100-240 V AC
- 頻率：47-63 Hz
- 電流消耗：2.0 A

## Dell 設備的正確處置

有關全球環境符合性以及 Dell 產品的最新資訊，請參閱本產品附帶的 *Dell PowerConnect W 系列安全、環保和符合規範資訊文件*，或瀏覽我們的網站 [www.dell.com](http://www.dell.com)。

## 歐盟 RoHS

 Dell 產品也遵守歐盟的 2002/95/EC 號危害物質限用 (Restriction of Hazardous Substances, RoHS) 法令。歐盟 RoHS 限制在電氣和電子設備的生產中使用某些有害物質。具體地講，RoHS 法令所規定的限用材料為：鉛（包括印刷電路元件中使用的焊料）、鎘、汞、六價鉻及溴。某些 Dell 產品符合 RoHS 法令附錄 7 中所列的豁免規定（關於印刷電路組件所用焊料中的鉛）。產品和包裝上將貼有左圖所示的「RoHS」標籤，以表明其符合該法令的要求。

# Dell PowerConnect

## W-650 控制器

### 安装指南



## 版权

版权所有 2010 Aruba Networks, Inc. AirWave®、Aruba Networks®、Aruba Mobility Management System®、及其它注册商标是 Aruba Networks, Inc. 的商标。Dell™、DELL™ 徽标及 PowerConnect™ 是 Dell Inc. 的商标。

版权所有 保留所有权利。本手册规格如有变动，恕不通知。

源于美国。本手册中出现的其它商标都是其各自公司的财产。

## 开放源代码

某些 Aruba 产品包含由第三方开发的开放源软件代码，其中包括须遵照 GNU 通用公共许可证 (General Public License, GPL)、GNU 宽通用公共许可证 (Lesser General Public License, LGPL) 或其它开放源许可证规定使用的软件代码。可在以下站点上找到所使用的开放源代码：

[http://www.arubanetworks.com/open\\_source](http://www.arubanetworks.com/open_source)

## 法律声明

任何个人或公司，只要其使用 Aruba Networks, Inc. 交换平台和软件来端接其它厂商的 VPN 客户端设备，即表明该人或公司对此行为承担全部责任，并会代表这些厂商，在 Aruba Networks, Inc. 万一遭受任何以及所有与版权侵犯有关的法律诉讼时，为其承担全部伤害和损失赔偿。



# 目录

<b>前言</b>	<b>5</b>
综述	5
相关文档	5
联系 Dell	5
<b>第 1 章 关于 W-650 系列控制器</b>	<b>7</b>
最低软件要求	7
包装核查清单	7
硬件型号概览	8
正视图	8
1000Base-X (SFP) 端口	8
10/100/1000Base-T 千兆位以太网端口	8
串行控制台端口	9
串行控制台端口适配器	9
USB 端口	9
媒体弹出按钮	10
后视图	10
交流电源插座	10
ExpressCard 插槽	10
天线接口 (仅限 W-651)	10
LED 状态指示灯	11
<b>第 2 章 W-650 系列安装</b>	<b>13</b>
安装前要求	13
对于电信机架:	13
对于服务器机架:	13
在电信机架中安装	13
在服务器机架中安装	15
桌面部署	16
初始设置与网络连接	16
拆卸	16
<b>附录 A 规格、安全性和合规性</b>	<b>17</b>
实体规格	17
电源规格	17
工作规格	17
存储规格	17
无线射频规格 (W-651 内置式 AP)	17
AP 类型	17
工作频率	17
可用频道	17
调制	18
传输功率	18
关联速率 (Mbps)	18
802.11n 高吞吐量 (High-Throughput, HT) 支持	18

802.11n 分组融合 .....	18
天线 (W-651 内置式 AP) .....	18
安全性及合规性.....	18
FCC B 类装置 .....	19
射频辐射暴露声明 .....	19
W-650.....	19
W-651.....	19
NOM 信息 (仅墨西哥) .....	20
Dell 设备的正确处置.....	20
欧盟 RoHS.....	20

本前言包括以下信息：

- 本手册内容总览
- 供进一步阅读的相关文档列表
- 支持和服务信息

## 综述

- 第 1 章，“关于 W-650 系列控制器”（第 7 页）提供对 W-650 系列详细的硬件概览。
- 第 2 章，“W-650 系列安装”（第 13 页）提供机架安装和安装说明。
- 附录 A，“规格、安全性和合规性”（第 17 页）包含产品技术规格、安全以及合规性信息。

## 相关文档

本指南中引用了以下文档，可以将它们视为成功执行 Dell 移动控制器安装和管理所需的完整文档集的组成部分。

- *Dell PowerConnect ArubaOS 5.0 快速入门指南*
- *Dell PowerConnect ArubaOS 5.0 用户指南*
- *Dell PowerConnect ArubaOS 5.0 命令行参考*

## 联系 Dell

网站支持	
主站点	<a href="http://www.dell.com">www.dell.com</a>
支持站点	<a href="http://support.dell.com">support.dell.com</a>
文档	<a href="http://support.dell.com/manuals">support.dell.com/manuals</a>
软件	<a href="https://download.dell-pcw.com">https://download.dell-pcw.com</a>



Dell PowerConnect W-650 系列控制器是一个企业级无线 LAN 控制器。此控制器用于连接、控制无线接入点 (Access Point, AP) 和无线监测器 (Air Monitor, AM)，以及将它们集成到有线 LAN 系统中。

- W-650 最多能够支持 16 个外置式园区 AP。
- W-651 不但具有一个内置式 AP，还最多能够支持 16 个外置式园区 AP。

## 最低软件要求

W-650 系列控制器要求使用 ArubaOS 5.0.2 或更高版本。



---

**注意：**主控制器、其备用主控制器以及它的所有本地控制器都必须运行相同版本的 ArubaOS。当您升级网络并将 W-650 系列移动控制器安装到您的网络中后，请确认控制器上的软件版本是否与网络其余部分所使用的软件版本一致。

---

## 包装核查清单

- W-650 系列移动控制器
- 交流电源线（因国家而异）
- 机架安装托架
- 用于服务器和电信机架系统的机架安装金属构件
- 左侧盖板（未安装）
- 右侧盖板（未安装）
- 橡胶脚垫（用于桌面部署）
- 扁型串行电缆 (RJ-45)
- 串行电缆端口适配器 (RJ-45 转 DB9)
- 双频高增益全向可拆卸式天线（3 个）
- *Dell PowerConnect ArubaOS 快速入门指南*
- *最终用户许可协议 (End User License Agreement, EULA)*
- *安全、环保和合规性信息 (Safety, Environmental, and Regulatory Information, SERI) 文档*
- *保修和支持信息 (Warranty and Support Information, WSI) 文档*



---

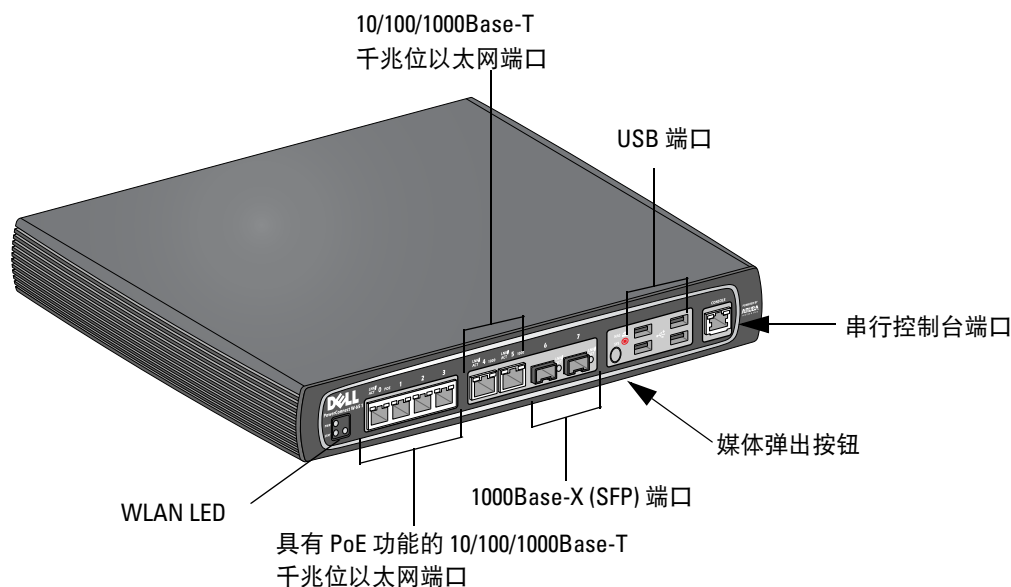
**注意：**如果发现任何不正确、缺失或损坏的部件，请通知您的供应商。请尽可能保留包装箱，包括原始包装材料。必要时，可以利用这些材料重新包装装置，将其退回给供应商。

---

# 硬件型号概览

## 正视图

图 1 W-650 系列正视图



### 1000Base-X (SFP) 端口

有两个专用于光纤连接的 1000Base-X 端口，专供与 Dell W 系列 SFP（迷你 GBIC）配合使用。要购买兼容的 SFP 模块，请联系您的 Dell 销售代表，以了解详细信息和获得协助。



**注意：** Dell 对在其控制器系统内使用 Dell 光纤产品进行了测试，并支持使用这些产品。第三方光纤产品未经过测试或得到支持，因此，Dell 不能保证在 Dell 系统内使用第三方光纤产品时能够发挥它们的正常功能。

### 10/100/1000Base-T 千兆位以太网端口

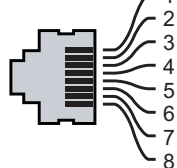
W-650 系列上有六个 10/100/1000Base-T 千兆位以太网 (RJ-45) 端口。千兆位以太网使用所有八条芯线，每一对芯线都以双向方式使用，也就是说，同一芯线对既用于数据传输，又用于数据接收。图 2 图解说明了 RJ-45 连接器上的 CAT-5 引脚分配。CAT-5 引脚分配将 10/100/1000Base-T 千兆位以太网端口上的以下引脚组对：1/2、3/6、4/5 和 7/8。

图 2 千兆位以太网端口引脚分配

1000Base-T 千兆位以太网端口



RJ-45 插孔引脚分配



信号名称

信号名称	功能
1 BI_DA+	双向线对 +A
2 BI_DA-	双向线对 -A
3 BI_DB+	双向线对 +B
4 BI_DC+	双向线对 +C
5 BI_DC-	双向线对 -C
6 BI_DB-	双向线对 -B
7 BI_DD+	双向线对 +D
8 BI_DD-	双向线对 -D

## 串行控制台端口

提供了一个串行控制台端口，用于与终端相连，以实现直接本地管理。

图 3 串行控制台端口引脚分配

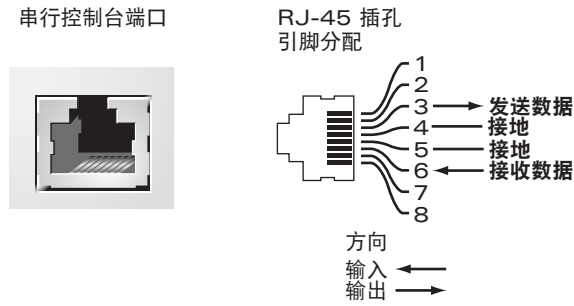


表 1 中列有串行端口的通讯设置。

表 1 控制台终端设置

波特率	数据位	奇偶校验	停止位	流控制
9600	8	无	1	无

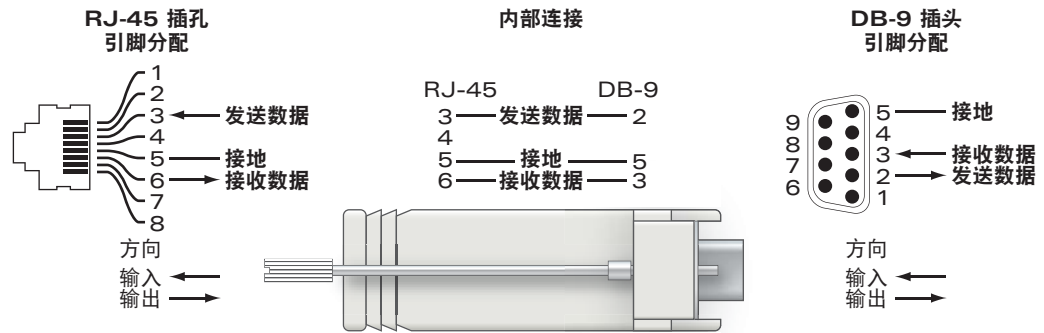


小心：请勿将 AP 连接到串行控制台端口。串行控制台端口只兼容 RS-232 装置，不支持非 RS-232 装置，例如 AP。

## 串行控制台端口适配器

可以使用模块适配器将 RJ-45（插孔）连接器转换为 DB9（插头）连接器。有关完整的详细信息，请参阅图 4。

图 4 RJ-45（插孔）转 DB-9（插头）模块适配器转换



## USB 端口

W-650 系列拥有四个 USB 2.0 接口。可以通过该接口使用 EVDO/HSPDA 调制解调器，闪存或磁盘存储装置，或打印机。有关配置 USB 装置与 W-650 系列一起使用的详细信息，请参阅 *ArubaOS 用户指南*。

## 媒体弹出按钮

W-650 系列配备了一个媒体弹出按钮，用户可以利用它安全地弹出存储装置，以及将系统转入待机模式。按下该按钮时，即会卸载通过 USB 与控制器相连的存储媒体装置。打印机和 EVDO 装置不受影响。

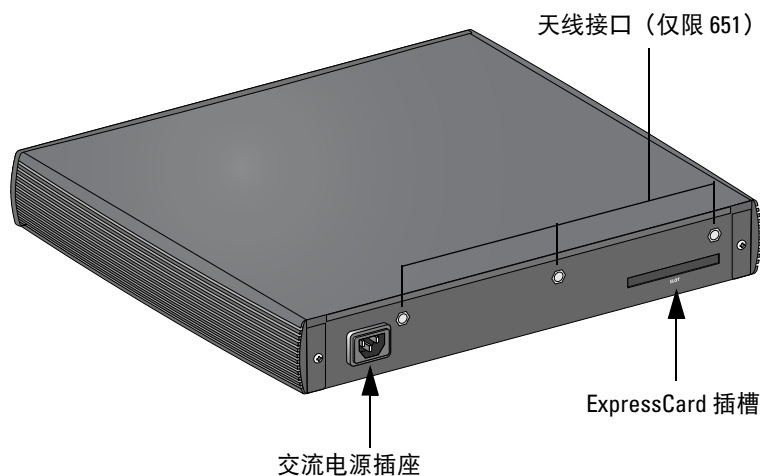
按媒体弹出按钮会改变 W-650 系列的状态，下表描述了这些状态，以及与使用媒体弹出按钮有关的 LED 行为。

表 2 媒体弹出按钮 LED 行为

初始状态	LED 状态	操作	状态 LED	功能	操作完成 LED 状态
NAS 媒体运行	绿灯常亮	按住媒体弹出按钮 1 至 5 秒	黄灯闪烁	卸载所有 NAS 媒体	黄灯常亮
NAS 媒体卸载	黄灯常亮	按住媒体弹出按钮 1 至 5 秒	黄灯闪烁	装载所有连接的 NAS 装置，并恢复全功能运行	绿灯常亮
运行	绿灯常亮	按住媒体弹出按钮 5 秒以上	红灯闪烁	控制器转入待机模式	红灯常亮
运行（卸载 NAS 媒体）	黄灯常亮	按住媒体弹出按钮 5 秒以上	红灯闪烁	控制器转入待机模式	红灯常亮
待机	红灯常亮	按媒体弹出按钮	黄灯闪烁	控制器唤醒	绿灯常亮

## 后视图

图 5 W-650 系列后视图（所示为 651）



### 交流电源插座

W-650 系列支持集成式交流供电，装置后部的交流电源插座供与交流电源线（因国家而异）配合使用。有关电源规格的详细信息，请参阅第 17 页的“电源规格”。

### ExpressCard 插槽

W-650 系列配备了一个 ExpressCard 插槽，可用于 EVDO 装置。

### 天线接口（仅限 W-651）

W-651 配备了一个内置接入点 (Access Point, AP)。此 AP 可在 2.4 GHz 和 5 GHz 频带下，以 a/b/g 或 n 模式工作。每台装置都拥有三个 RP-SMA 接口，用于连接此套件中包含的天线。



# LED 状态指示灯

表 3 W-650 系列 LED 状态指示灯

LED	标签	功能	指示灯	状态
电源	POWER (电源)	输入电源状态指示灯	亮 (绿灯常亮)	通电
			不亮	不通电
状态	STATUS (状态)	模块状态指示灯	亮 (绿灯常亮)	装置运行中
			亮 (红灯常亮)	装置故障或处于待机状态
			亮 (黄灯常亮)	装置正在加载软件
			不亮	不通电
1000Base-X 端口 (SFP)	LNK/ACT (链路/工作)	链路状态指示灯	亮 (绿灯常亮)	链路已建立
			亮 (绿灯闪烁)	端口正在传输或接收数据
			不亮	端口上无链路
100/1000Base-T 端口	LNK/ACT (链路/工作)	链路/工作状态指示灯	亮 (绿灯常亮)	链路已建立
			亮 (绿灯闪烁)	端口正在传输或接收数据
			不亮	端口上无链路
	1000	接口速度	亮 (绿灯常亮)	1000 Mbps
			不亮	10/100 Mbps
100/1000Base-T 端口 (具有 PoE 功能)	LINK/ACT (链路/工作)	链路/工作状态指示灯	亮 (绿灯常亮)	链路已建立
			亮 (绿灯闪烁)	端口正在传输或接收数据
			不亮	端口上无链路
	PoE (以太网供电)	PoE 状态指示灯	亮 (绿灯常亮)	正在提供 PoE
			亮 (黄灯常亮)	连接的装置请求提供 PoE, 但端口未提供 PoE
			不亮	未提供 PoE
802.11 a/b/g/n AP (仅 W-651)	WLAN	AP 状态	亮 (黄灯常亮)	已在 WLAN 模式下启用了无线电
			亮 (绿灯常亮)	已在 802.11 模式下启用了无线电
			亮 (绿灯闪烁)	无线监测器模式
			不亮	无线电被禁用



## 安装前要求

安装 W-650 系列控制器需要使用以下工具和设备。

- 机架安装托架（2 个，进行桌面安装时不使用）
- 适用的螺丝刀
- 交流电源线（因国家而异）
- 左侧和右侧盖板（进行机架安装时不使用）



---

**警告：** 在执行以下步骤之前，请查看控制器附带的安全说明。

---

### 对于电信机架：

- M3，6mm x 0.5mm 十字槽沉头螺丝（6 个，附带）
- 12-24 x 5/8" 十字槽沉头螺丝（4 个，附带）

### 对于服务器机架：

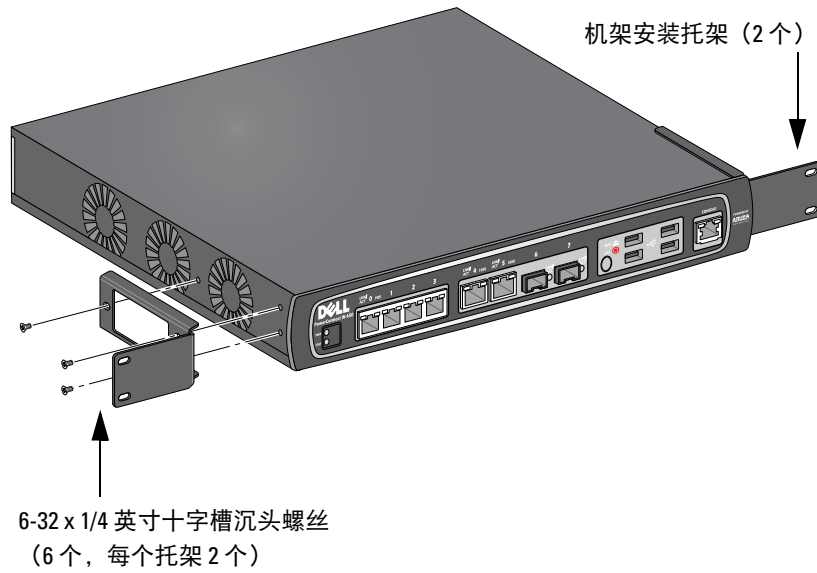
- M3，6mm x 0.5mm 十字槽沉头螺丝（6 个，附带）
- M6 x 20mm 十字槽沉头螺丝（4 个，附带）
- M6 锁紧螺帽（4 个，附带）或 M6 锁紧夹（4 个，附带）

## 在电信机架中安装

要将 W-650 系列控制器安装到 19 英寸（48.26 厘米）电信机架系统中：

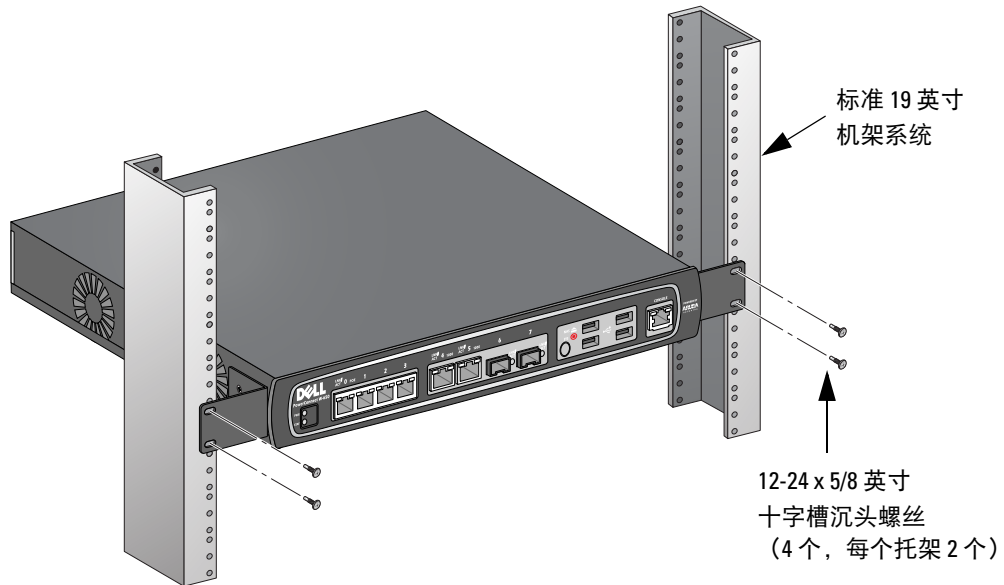
1. 将一个机架安装托架置于控制器一侧的安装孔上（请参阅图 6）。
2. 使用三个 M3，6mm x 0.5mm 十字槽沉头螺丝和一把螺丝刀将托架固定在控制器上。
3. 在控制器的对侧重复以上步骤。

图 6 机架安装托架



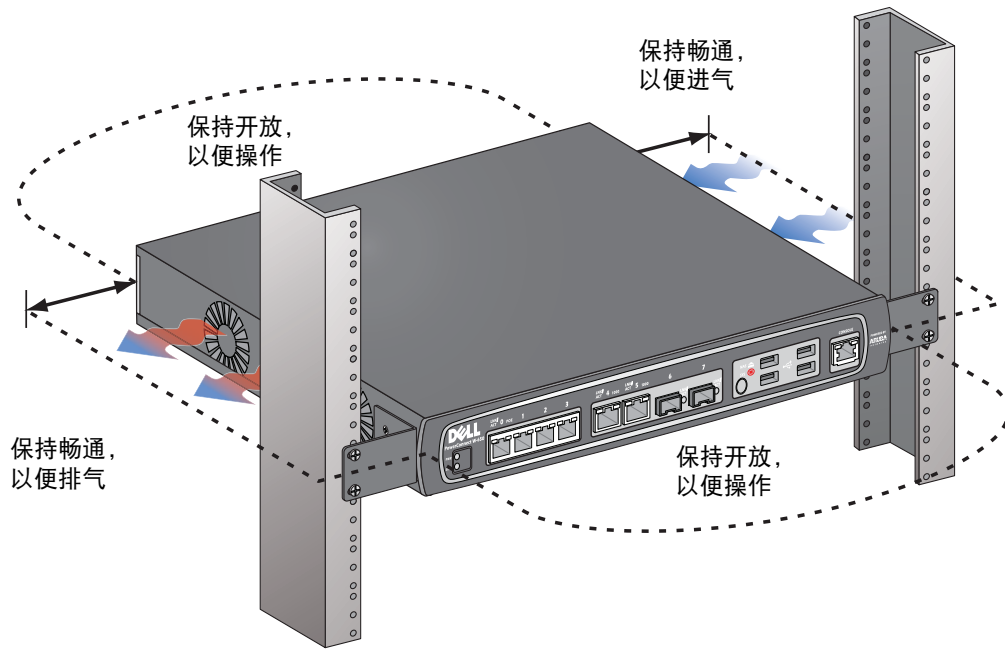
4. 使用四个 12-24 x 5/8 英寸十字槽沉头螺丝和一把适用的螺丝刀将控制器安装到贵组织的机架系统内（请参阅图 7）。

图 7 机架安装



5. 在装置的左右两侧至少留出四英寸（10 厘米）的空间，以便气流畅通和通风（请参阅图 8）。
6. 在装置的前部和后部留出额外空间，以便插接电源线、网线，以及查看 LED 状态指示灯（请参阅图 8）。

图 8 空气流动要求



7. 将交流电源线（因国家而异）连接到装置后部。
8. 将电源线的另一端插入电源插座，为控制器供电。



**注意：** W-650 系列控制器没有用于打开或关闭装置电源的开关。装置的供电控制是通过将电源线插头插入电源插座，或是从中拔出来实现。

## 在服务器机架中安装

要将 W-650 系列控制器安装到 19 英寸（48.26 厘米）服务器机架系统中：



**注意：** 下列说明描述了在具有无螺纹方形孔的机架中安装控制器的步骤。对于具有无螺纹圆形孔的机架，请改用提供的对开螺母。

1. 将一个机架安装托架置于控制器一侧的安装孔上（请参阅图 6）。
2. 使用三个 M3，6mm x 0.5mm 十字槽沉头螺丝和一把螺丝刀将托架固定在控制器上。
3. 在控制器的对侧重复以上步骤。
4. 安装四个锁紧螺帽。  
*要使用锁紧螺帽安装工具安装锁紧螺帽：*
  - a. 先插入锁紧螺帽的下缘，但要位于轨道后部方形开口底部上方。
  - b. 将锁紧螺帽安装工具的小端穿过轨道中的开口（从前部），将工具钩在锁紧螺帽的上缘上。
  - c. 将锁紧螺帽朝着轨道推入，同时向上转动工具，并朝着您的方向回拉工具，直至锁紧螺帽的上缘“咔嗒”一声卡入到位。

要使用沉头螺丝刀安装锁紧螺帽：

- a. 先插入锁紧螺帽的下缘，但要位于轨道后部方形开口底部上方。
  - b. 使用沉头螺丝刀压住锁紧螺帽的上缘。
  - c. 一面压住上缘，一面将锁紧螺帽的上缘完全推入轨道中的开口。
  - d. 释放螺丝刀施加给锁紧螺帽的压力，将其锁紧到位。
5. 使用四个 M6 x 20mm 十字槽沉头螺丝和一把适用的螺丝刀将控制器安装到贵组织的机架系统内。
  6. 在装置的左右两侧至少留出四英寸（10 厘米）的空间，以便气流畅通和通风（请参阅图 8）。
  7. 在装置的前部和后部留出额外空间，以便插接电源线、网线，以及查看 LED 状态指示灯（请参阅图 8）。
  8. 将交流电源线（因国家而异）连接到装置后部。
  9. 将电源线的另一端插入电源插座，为控制器供电。



---

**注意：** W-650 系列控制器没有用于打开或关闭装置电源的开关。装置的供电控制是通过将电源线插头插入电源插座，或是从中拔出来实现。

---

## 桌面部署

要将 W-650 系列控制器部署在平面（例如桌面）上：

1. 将四个安装橡胶垫插入装置底部。
2. 按压侧盖板，使其吧嗒一声卡入到位。
3. 将装置置于一个坚固的平面上。

## 初始设置与网络连接

实体安装完成后，在控制器上运行初始设置，以配置 IP 地址和其它基本系统信息。有关完整的详细信息和说明，请参阅 *ArubaOS 快速入门指南*。

## 拆卸

要将 W-650 系列控制器从 19 英寸（48.26 厘米）机架系统上卸下：

1. 从电源插座上拔下电源线，断开给控制器的供电。
2. 断开与控制器相连的所有其它电缆或装置。
3. 松开用于将控制器固定在贵组织机架系统上的四个机架安装螺丝。
4. 从机架系统上卸下控制器。

## 实体规格

装置尺寸（不含机架安装托架）

- 高度 1.5 英寸（38 毫米）
- 宽度 13.6 英寸（346 毫米）
- 深度 8.9 英寸（226 毫米）

## 电源规格

- 交流输入电压：100-240 V，通用输入
- 交流输入频率：50-60 Hz
- 最大功耗：126 W
- 以太网供电总功率：78 W
- 以太网供电每端口功率：19.5 W

## 工作规格

- 工作温度范围：0°C 至 40°C（32°F 至 104°F）
- 工作湿度范围：5% 至 95%（相对湿度），无冷凝

## 存储规格

- 存储温度范围：0°C 至 50°C（32°F 至 122°F）
- 存储湿度范围：5% 至 95%（相对湿度），无冷凝

## 无线射频规格（W-651 内置式 AP）

### AP 类型

- 单射频、3x3 多重输入多重输出 (Multiple-In, Multiple-Out, MIMO)，可提供高达 300 Mbps 的数据传输率

### 工作频率

- 2.4-2.5 GHz 或 5.150-5.950 GHz

### 可用频道

- 由移动控制器管理，取决于所配置的控管领域

## 调制

- 802.11b: 直接序列扩频 (Direct-Sequence Spread-Spectrum, DSSS)
- 802.11a/g: 正交频分复用 (Orthogonal Frequency Division Multiplexing, OFDM)
- 802.11n: 802.11n 草案 2.0 版

## 传输功率

- 可以 0.5 dBm 为增量进行配置

## 关联速率 (Mbps)

- 802.11b: 11、5.5、2、1, 具有自动低效运行功能
- 802.11a/g: 54、48、36、24、18、12、9、6, 具有自动低效运行功能
- 802.11n: MCS0 - MCS15 (6.5Mbps - 300Mbps)

## 802.11n 高吞吐量 (High-Throughput, HT) 支持

- HT 20
- HT 40

## 802.11n 分组融合

- A-MPDU
- A-MSDU

## 天线 (W-651 内置式 AP)

- 三个用于支持外置式天线的 RP-SMA 接口 (最多可支持 3x3 具有空间分集功能的 MIMO)
- 附带三支 AP-ANT-1B 全向双频天线

## 安全性及合规性

Dell 提供了一个多语言文档, 其中包含所有 Dell 硬件产品的国家特定限制以及其它安全性和合规性信息。本产品附带了 *Dell PowerConnect W 系列安全、环保和合规性信息文档*。



**小心:** 所进行的性能或程序控制或调整如果不是本手册中规定的控制和调整, 可能会导致危险的辐射暴露。

本产品符合 21 CFR 第 1 章第 J 分章第 1040.10 部分, 以及 IEC 60825-1: 1993、A1: 1997、A2: 2001、IEC 60825-2: 2000。

要继续遵守以上激光安全标准, 应在 Dell 产品中安装由我们认可的供应商生产的、经过认证的 1 类模块。



## FCC B 类装置

本设备经测试证明符合 FCC 规章第 15 部分有关 B 级数字装置的限制规定。这些限制旨在对设备在住宅环境中安装时产生的有害干扰提供合理防护。本设备可产生、使用并会发射无线射频能量，如果不按照说明进行安装和使用，有可能对无线电通讯产生有害的干扰。但并不保证特定安装不会发生干扰。如果本设备确实对无线电或电视接收产生了有害干扰（可通过开关设备进行确认），建议用户通过下列其中一种或多种方式纠正干扰：

- 调整接收天线的方向或位置。
- 加大设备与接收器的间隔距离。
- 将设备连接到与接收器不同电路的电源插座上。
- 咨询经销商或有经验的无线电/电视技术人员，请其提供帮助（我们可以将此措施修改为建议向专业安装人员求助）。

如果想获得各国合规性的完整清单，请咨询 Dell 代表。

## 射频辐射暴露声明

本设备符合 FCC 射频辐射限制性规定。在安装和操作本设备时，如果是在 2.4 GHz 和 5 GHz 下进行操作，发射器与您身体之间的距离至少要达到 13.78 英寸（35 厘米）。本发射器不得与任何其它天线或发射器置于同一位置，也不得与它们一起工作。在 5.15 至 5.25 GHz 频段下操作时，本装置仅限在室内使用，以降低对同频道移动卫星系统产生有害干扰的可能性。

## W-650

- EN 55022 B 级
- EN 55024
- IEC/EN 60950
- CE 标志
- cTUVus 标志
- CB 体系认证

## W-651

- FCC 15.247/15.407
- 欧盟 R&TTE 法令 1999/5/EC（EN 300 328、EN 301 893、EN 301 489）
- 欧盟低电压法令 2006/95/EC
- IEC/EN 60950
- CE 标志
- cTUVus 标志
- CB 体系认证

如果想获得各国合规性的完整清单，请咨询 Dell 代表。

## NOM 信息（仅墨西哥）

按照墨西哥官方标准 (NOM) 的要求，本文档所述装置上提供了下列信息：

进口商： Dell Inc. de Mexico, S.A. de C.V.  
Paseo de la Reforma 2620-11° Piso  
Col. Lomas Atlas  
11950 Mexico, D.F.


型号： 650/651

- 电源电压： 100-240 V AC
- 频率： 47-63 Hz
- 电流消耗： 2.0 A

## Dell 设备的正确处置

有关全球环境符合性以及 Dell 产品的最新信息，请参阅本产品附带的 *Dell PowerConnect W 系列安全、环保和合规性信息* 文档，或访问我们的网站 [www.dell.com](http://www.dell.com)。

## 欧盟 RoHS

 Dell 产品也遵守欧盟的 2002/95/EC 号有害物质限用 (Restriction of Hazardous Substances, RoHS) 法令。欧盟 RoHS 限制在电气和电子设备的生产中使用某些有害物质。具体地讲，RoHS 法令所规定的限用材料为：铅（包括印刷电路组件中使用的焊料）、镉、汞、六价铬及溴。某些 Dell 产品符合 RoHS 法令附录 7 中所列的豁免规定（关于印刷电路组件所用焊料中的铅）。产品和包装上将贴有左图所示的“RoHS”标签，以表明其符合该法令的要求。

# **Kontroler**

# **W-650 PowerConnect Dell**

## **Panduan Instalasi**



## **Hak cipta**

© 2010 Aruba Networks, Inc. AirWave®, Aruba Networks®, Aruba Mobility Management System®, dan merek terdaftar lainnya adalah merek dagang Aruba Networks, Inc. Dell™, logo DELL™, dan PowerConnect™ adalah merek dagang Dell Inc.

Hak cipta dilindungi undang-undang. Spesifikasi dalam manual ini dapat berubah sewaktu-waktu tanpa pemberitahuan.

Berasal dari AS. Merek dagang lain yang muncul dalam manual ini adalah milik perusahaannya masing-masing.

## **Kode Sumber Terbuka**

Beberapa produk Aruba mengandung kode perangkat lunak Sumber Terbuka yang dikembangkan oleh pihak ketiga, termasuk kode perangkat lunak yang tunduk pada GNU General Public License (GPL), GNU Lesser General Public License (LGPL), atau Lisensi Sumber Terbuka lain. Kode Sumber Terbuka yang digunakan tercantum di situs ini:

[http://www.arubanetworks.com/open\\_source](http://www.arubanetworks.com/open_source)

## **Pemberitahuan Hukum**

Penggunaan perangkat lunak dan platform switch Aruba Networks, Inc, oleh semua individu atau perusahaan, untuk menghentikan perangkat klien VPN milik vendor lain merupakan penerimaan tanggung jawab sepenuhnya oleh individu atau perusahaan tersebut untuk tindakan ini dan melepaskan sepenuhnya tanggung jawab Aruba Networks, Inc. dari setiap dan semua tindakan hukum yang mungkin ditujukan kepadanya yang berkaitan dengan pelanggaran hak cipta atas nama vendor tersebut.

<b>Prakata</b> .....	<b>5</b>
Selayang Pandang .....	5
Dokumentasi Terkait .....	5
Menghubungi Dell .....	5
<b>Bab 1</b>	<b>Tentang Kontroler Seri W-650 .....</b>
	<b>7</b>
Persyaratan Perangkat Lunak Minimum .....	7
Daftar Periksa Isi Kemasan .....	7
Ikhtisar Model Perangkat Keras .....	8
Tampak Depan .....	8
Port 1000Base-X (SFP).....	8
Port Ethernet 10/100/1000Base-T Gigabit.....	8
Port Konsol Serial.....	9
Adaptor Port Konsol Serial .....	9
Port USB .....	9
Tombol Keluar Media .....	10
Tampak Belakang.....	10
Soket Daya AC .....	10
Slot ExpressCard .....	11
Antarmuka Antena (W-651 Saja) .....	11
Indikator Status LED.....	11
<b>Bab 2</b>	<b>Pemasangan Seri W-650 .....</b>
	<b>13</b>
Persyaratan Pra-Instalasi .....	13
Untuk Rak Telekom:.....	13
Untuk Rak Server:.....	13
Pemasangan di Rak Telekom .....	13
Pemasangan di Rak Server.....	15
Penempatan di Atas Meja.....	16
Setup Awal dan Konektivitas Jaringan.....	16
Pelepasan .....	16
<b>Lampiran A</b>	<b>Spesifikasi, Keselamatan, dan Kepatuhan .....</b>
	<b>17</b>
Spesifikasi Fisik.....	17
Spesifikasi Daya .....	17
Spesifikasi Operasi.....	17
Spesifikasi Penyimpanan .....	17
Spesifikasi Radio Nirkabel (Titik Akses Internal W-651).....	17
Jenis Titik Akses.....	17
Frekuensi Operasi.....	17
Saluran yang Tersedia.....	17
Modulasi .....	17
Daya Pancar.....	18
Laju Asosiasi (Mbps).....	18
802.11n Dukungan Kecepatan Tinggi (High-Throughput/HT).....	18

802.11n Agregasi Paket .....	18
Antena (Titik Akses Internal W-651) .....	18
Kepatuhan Peraturan dan Keselamatan .....	18
Perangkat Kelas B FCC.....	19
Pernyataan Keterpaparan Radiasi Frekuensi Radio .....	19
W-650.....	19
W-651.....	19
Informasi NOM (Meksiko Saja).....	20
Cara Membuang Peralatan Dell yang Benar .....	20
RoHS Uni Eropa.....	20

Prakata ini mengandung informasi berikut ini:

- Ikhtisar isi manual ini
- Daftar dokumentasi terkait untuk bacaan lanjut
- Informasi dukungan dan layanan

## Selayang Pandang

- [Bab 1, “Tentang Kontroler Seri W-650” di halaman 7](#) menyediakan ikhtisar perangkat keras terperinci dari Seri W-650.
- [Bab 2, “Pemasangan Seri W-650” di halaman 13](#) menyediakan petunjuk instalasi dan pemasangan rak.
- [Lampiran A, “Spesifikasi, Keselamatan, dan Kepatuhan” di halaman 17](#) mencakup spesifikasi teknis, keselamatan, dan informasi tentang kepatuhan pada peraturan untuk produk ini.

## Dokumentasi Terkait

Dokumentasi berikut ini dirujuk dalam panduan ini dan dipandang sebagai komponen kumpulan dokumentasi lengkap yang diperlukan agar dapat memasang dan mengelola Kontroler Mobilitas Dell.

- *Panduan Mulai Cepat PowerConnect Dell ArubaOS 5.0*
- *Panduan Pengguna PowerConnect Dell ArubaOS 5.0*
- *Rujukan Baris Perintah PowerConnect Dell ArubaOS 5.0*

## Menghubungi Dell

Dukungan Situs Web	
Situs Utama	<a href="http://www.dell.com">www.dell.com</a>
Situs Dukungan	<a href="http://support.dell.com">support.dell.com</a>
Dokumentasi	<a href="http://support.dell.com/manuals">support.dell.com/manuals</a>
Perangkat Lunak	<a href="https://download.dell-pcw.com">https://download.dell-pcw.com</a>





Kontroler Seri W-650 PowerConnect Dell adalah kontroler LAN nirkabel kelas perusahaan. Kontroler ini menghubungkan, mengontrol, dan mengintegrasikan Titik Akses (AP) dan Pemantau Udara (AM) ke dalam sistem LAN berkabel.

- W-650 mampu mendukung hingga 16 Titik Akses kampus eksternal.
- W-651 mampu mendukung hingga 16 Titik Akses kampus eksternal selain Titik Akses internal tunggalnya.

## Persyaratan Perangkat Lunak Minimum

Kontroler Seri W-650 memerlukan ArubaOS 5.0.2 atau lebih baru.



---

**Catatan:** Kontroler induk, kontroler induk redundannya, dan semua kontroler lokalnya harus dijalankan pada kode ArubaOS yang sama. Setelah Anda meningkatkan versi jaringan Anda dan menginstal Kontroler Mobilitas Seri W-650 pada jaringan itu, periksalah bahwa versi perangkat lunak pada kontroler sama dengan sisa jaringan.

---

## Daftar Periksa Isi Kemasan

- Kontroler Mobilitas Seri W-650
- Kabel Listrik AC (berbeda tiap negara)
- Braket Dudukan Rak
- Perangkat Keras Dudukan Rak untuk Sistem Rak Telekom dan Server
- Bezel Sisi Kiri (tidak terpasang)
- Bezel Sisi Kanan (tidak terpasang)
- Kaki Karet (untuk penempatan di atas meja)
- Kabel Serial Datar (RJ-45)
- Adaptor Port Kabel Serial (RJ-45 ke DB9)
- Antena Omni, Dual-band, High-gain yang Dapat Dilepas (3x)
- *Panduan Mulai Cepat ArubaOS PowerConnect Dell*
- *Kesepakatan Lisensi Pengguna Akhir (EULA)*
- *Dokumen Keselamatan, Lingkungan, dan Peraturan (SERI)*
- *Dokumen Informasi Dukungan dan Garansi (WSI)*



---

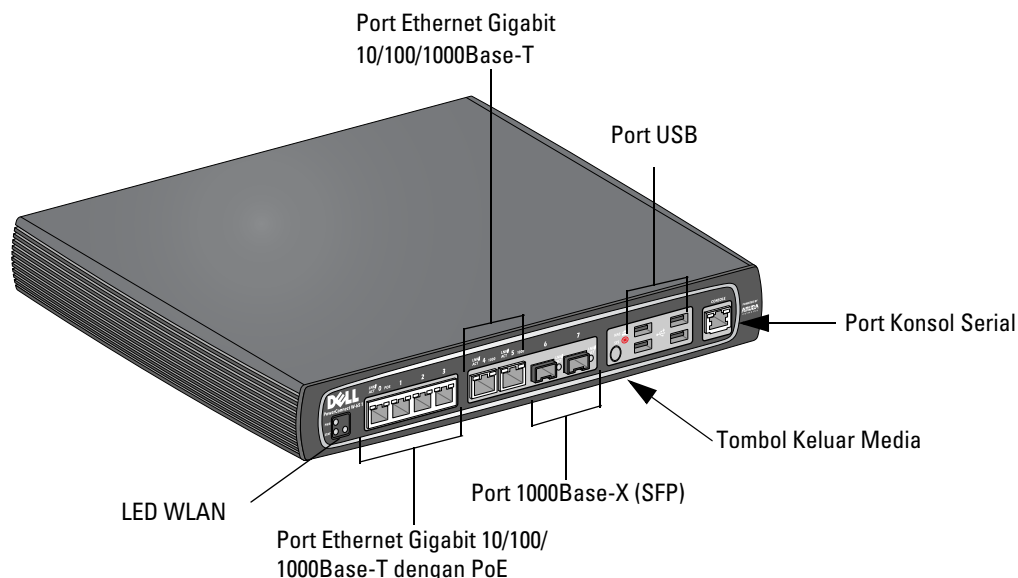
**Catatan:** Beri tahu pemasok jika ada komponen yang salah, tidak ada, atau rusak. Jika mungkin, simpan kardusnya, termasuk bahan kemasan aslinya. Gunakan benda-benda ini untuk mengemas ulang dan mengembalikan unit kepada pemasok jika perlu.

---

# Ikhtisar Model Perangkat Keras

## Tampak Depan

**Gambar 1** Tampak Depan Seri W-650



### Port 1000Base-X (SFP)

Ada dua port 1000Base-X untuk konektivitas serat saja dan dimaksudkan untuk digunakan dengan SFP Seri W Dell (GBIC mini).

Untuk membeli modul SFP yang kompatibel, hubungi wiraniaga Dell untuk memperoleh perincian dan bantuan.



**Catatan:** Dell menguji dan mendukung optik Dell dalam sistem kontroler mereka. Optik pihak ketiga tidak diuji atau didukung; maka Dell tidak menjamin optik pihak ketiga akan berfungsi dengan benar saat digunakan dalam sistemDell.

### Port Ethernet 10/100/1000Base-T Gigabit

Ada enam port (RJ-45) Ethernet Gigabit 10/100/1000Base-T pada Seri W-650. Ethernet Gigabit menggunakan kedelapan kawat dan setiap pasangan digunakan secara dua arah, yang berarti pasangan yang sama digunakan baik untuk pengiriman maupun penerimaan data. Gambar 2 menunjukkan pin keluar KAT-5 yang terdapat pada konektor RJ-45. Pin keluar KAT-5 menyandingkan pin berikut ini pada port Ethernet Gigabit 10/100/1000Base-T: 1/2, 3/6, 4/5, dan 7/8.

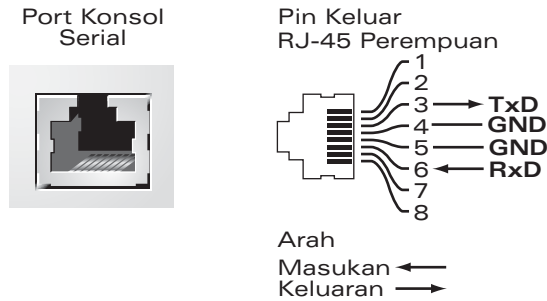
**Gambar 2** Pin Keluar Port Ethernet Gigabit

Port Ethernet Gigabit 1000Base-T	Pin Keluar RJ-45 Perempuan	Nama Sinyal	Fungsi
	1	BI_DA+	Pasangan bidireksional +A
	2	BI_DA-	Pasangan bidireksional -A
	3	BI_DB+	Pasangan bidireksional +B
	4	BI_DC+	Pasangan bidireksional +C
	5	BI_DC-	Pasangan bidireksional -C
	6	BI_DB-	Pasangan bidireksional -B
	7	BI_DD+	Pasangan bidireksional +D
	8	BI_DD-	Pasangan bidireksional -D

## Port Konsol Serial

Sebuah port konsol serial disediakan untuk koneksi ke terminal, yang memungkinkan pengelolaan lokal secara langsung.

**Gambar 3** Pin Keluar Port Konsol Serial



Setelan komunikasi untuk port serial diuraikan di [Tabel 1](#).

**Tabel 1** Setelan Terminal Konsol

Laju Baud	Bit Data	Paritas	Bit Stop	Kendali Aliran
9600	8	Tak ada	1	Tak ada

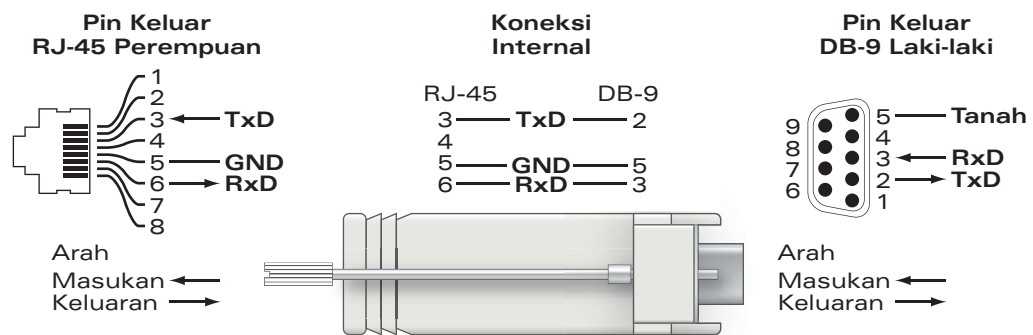


**Hati-hati:** Jangan hubungkan Titik Akses ke port konsol serial. Port konsol serial hanya kompatibel dengan perangkat RS-232. Perangkat non-RS-232, seperti Titik Akses, tidak didukung.

## Adaptor Port Konsol Serial

Adaptor modular dapat digunakan untuk mengonversi konektor (perempuan) RJ-45 menjadi konektor (laki-laki) DB9. Rujuklah [Gambar 4](#) untuk melihat perincian lengkap.

**Gambar 4** Konversi Adaptor Modular RJ-45 (perempuan) ke DB9 (laki-laki)



## Port USB

Seri W-650 memiliki empat antarmuka USB 2.0. Antarmuka ini dapat digunakan untuk modem EVDO/HSDPA, perangkat penyimpanan flash atau disk, atau printer. Untuk membaca informasi lebih banyak tentang mengonfigurasi dan menggunakan perangkat USB dengan Seri W-650, lihat *Panduan Pengguna ArubaOS*.

## Tombol Keluar Media

Seri W-650 dilengkapi dengan tombol untuk mengeluarkan media, sehingga pengguna dapat mengeluarkan perangkat penyimpanan dan membuat sistem masuk modus siaga. Saat tombol ditekan, semua perangkat media penyimpanan yang menempel pada kontroler via USB dilepaskan. Printer dan perangkat EVDO tidak terpengaruh.

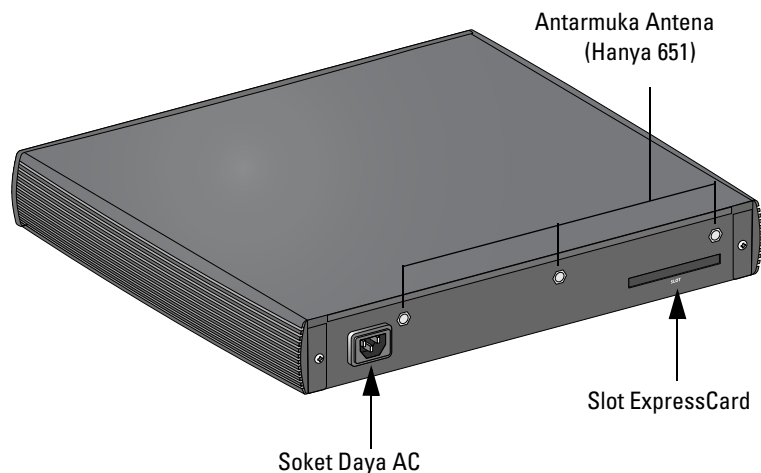
Menekan tombol keluar media mengubah keadaan Seri W-650; tabel di bawah menguraikan keadaan dan arti warna LED yang terkait dengan penggunaan tombol keluar media.

**Tabel 2** Arti Warna LED Tombol Keluar Media

Kadaan Awal	Kadaan LED	Tindakan	LED Status	Fungsi	Tindakan LED Selesai
NAS Media Beroperasi	Hijau terus	Tekan dan tahan tombol keluar media hanya selama 1-5 detik	Kuning berkedip	Melepaskan semua media NAS	Kuning terus
NAS Media Terlepas	Kuning terus	Tekan dan tahan tombol keluar media hanya selama 1-5 detik	Kuning berkedip	Memasang semua perangkat NAS yang menempel, dan kembali ke operasi yang berfungsi penuh	Hijau terus
Beroperasi	Hijau terus	Tekan dan tahan tombol keluar media lebih dari 5 detik	Merah berkedip	Kontroler masuk ke Siaga	Merah terus
Beroperasi dengan NAS Media tak terpasang	Kuning terus	Tekan dan tahan tombol keluar media lebih dari 5 detik	Merah berkedip	Kontroler masuk ke Siaga	Merah terus
Siaga	Merah terus	Tekan tombol keluar media	Kuning berkedip	Kontroler bangun	Hijau terus

## Tampak Belakang

**Gambar 5** Tampak Belakang Seri W-650 (Menampilkan 651)



### Soket Daya AC

Seri W-650 mendukung pendayaan AC terintegrasi dan soket daya AC di bagian belakang unit untuk digunakan dengan kabel daya AC (berbeda tiap negara). Rujuklah [“Spesifikasi Daya” di halaman 17](#) untuk melihat perincian spesifikasi daya.

## Slot ExpressCard

Seri W-650 dilengkapi dengan slot ExpressCard, yang dapat digunakan bersama perangkat EVDO.

## Antarmuka Antena (W-651 Saja)

W-651 dilengkapi dengan Titik Akses (AP) internal. Titik Akses ini dapat beroperasi pada pita 2,4 GHz dan 5 GHz, dalam modus a/b/g atau n. Setiap alat memiliki tiga antarmuka RP-SMA untuk menempelkan antena yang disertakan dalam paket ini.

## Indikator Status LED

**Tabel 3** Indikator Status LED Seri W-650

LED	Label	Fungsi	Indikator	Status
Daya	POWER	Indikator Status Daya Masukan	Hidup (Hijau Terus)	Daya hidup
			Mati	Tak Ada Daya
Status	STATUS	Indikator Status Modul	Hidup (Hijau Terus)	Perangkat dapat beroperasi
			Hidup (Merah Terus)	Perangkat gagal atau sedang Siaga
			Hidup (Kuning Terus)	Perangkat sedang memuat perangkat lunak
			Mati	Tak ada daya
Port 1000Base-X (SFP)	LNK/ACT	Indikator Status Sambungan	Hidup (Hijau Terus)	Sambungan telah terjadi
			Hidup (Hijau Berkedip)	Port sedang mengirim atau menerima data
			Mati	Tak ada sambungan di port
Port 10/100/1000Base-T	LNK/ACT	Indikator Status Sambungan/ Aktivitas	Hidup (Hijau Terus)	Sambungan telah terjadi
			Hidup (Hijau Berkedip)	Port sedang mengirim atau menerima data
			Mati	Tak ada sambungan di port
	1000	Kecepatan Antarmuka	Hidup (Hijau Terus)	1000 Mbps
			Mati	10/100 Mbps
Port 10/100/1000Base-T dengan PoE	LINK/ACT	Indikator Status Sambungan/ Aktivitas	Hidup (Hijau Terus)	Sambungan telah terjadi
			Hidup (Hijau Berkedip)	Port sedang mengirim atau menerima data
			Mati	Tak ada sambungan di port
	PoE	Indikator Status PoE	Hidup (Hijau Terus)	PoE sedang disediakan
			Hidup (Kuning Terus)	Perangkat yang terpasang meminta PoE, tetapi PoE tidak disediakan oleh port
			Mati	PoE tidak disediakan

**Tabel 3** Indikator Status LED Seri W-650

LED	Label	Fungsi	Indikator	Status
Titik Akses 802.11 a/b/g/n (W-651 Saja)	WLAN	Status Titik Akses	Hidup (Kuning Terus)	Radio diaktifkan dalam modus WLAN
			Hidup (Hijau Terus)	Radio diaktifkan dalam modus 802.11n
			Hidup (Hijau Berkedip)	Modus pemantau udara
			Mati	Radio dinonaktifkan

## Persyaratan Pra-Instalasi

Alat dan peralatan berikut ini diperlukan untuk pemasangan kontroler Seri W-650.

- Braket Dudukan Rak (x2, tidak digunakan untuk instalasi di atas meja)
- Obeng yang Sesuai
- Kabel Listrik AC (berbeda tiap negara)
- Bezel sisi kiri dan kanan (tidak digunakan untuk dudukan rak)



---

**Peringatan:** Sebelum melakukan prosedur berikut, bacalah petunjuk keselamatan yang menyertai kontroler.

---

### Untuk Rak Telekom:

- Sekrup Kepala Phillips M3, 6mm x 0,5mm (6x, disediakan)
- Sekrup Kepala Phillips 12-24 x 5/8" (4x, disediakan)

### Untuk Rak Server:

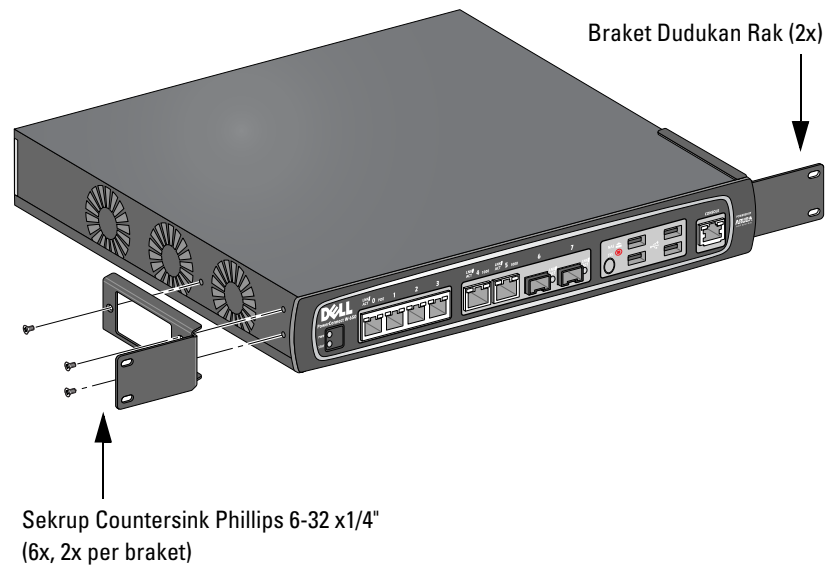
- Sekrup Kepala Phillips M3, 6mm x 0,5mm (6x, disediakan)
- Sekrup Kepala Phillips M6 x 20mm (4x, disediakan)
- Mur "Cage" M6 (4x, disediakan) atau Klip "Cage" M6 (4x, disediakan)

## Pemasangan di Rak Telekom

Untuk memasang kontroler Seri W-650 ke dalam sistem rak Telekom 19 inci (48,26 cm):

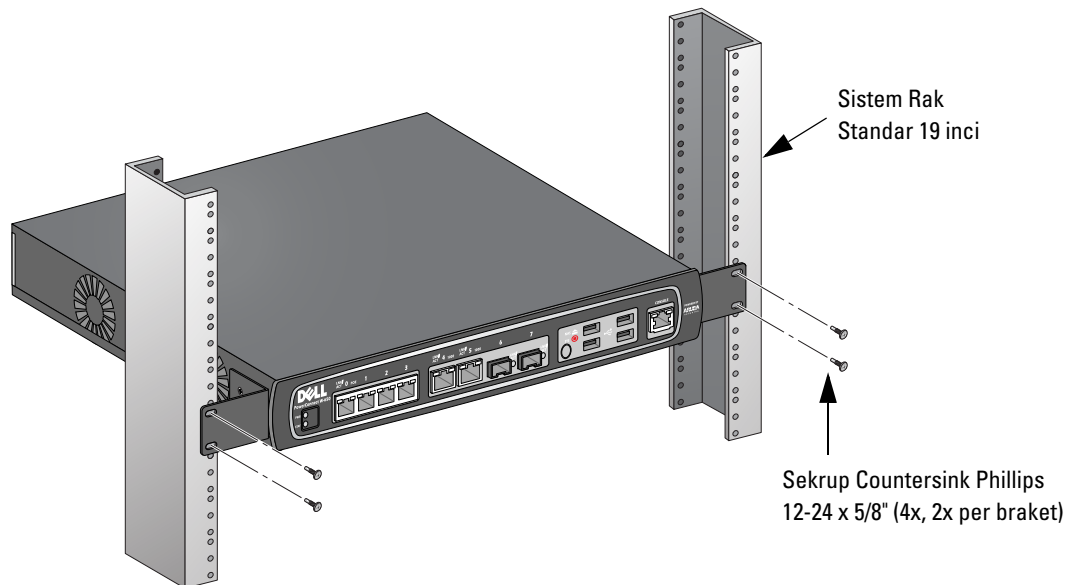
1. Letakkan braket dudukan rak di atas lubang dudukan pada satu sisi kontroler (lihat [Gambar 6](#)).
2. Pasangkan braket pada kontroler menggunakan tiga sekrup kepala Phillips M3, 6mm x 0,5 mm dan obeng.
3. Ulangi langkah-langkah ini pada sisi kontroler satunya.

**Gambar 6** *Braket Dudukan Rak*



4. Pasang kontroler di dalam sistem rak organisasi Anda, dengan empat sekrup kepala Phillips 12-24 x 5/8" dan obeng yang sesuai (lihat [Gambar 7](#)).

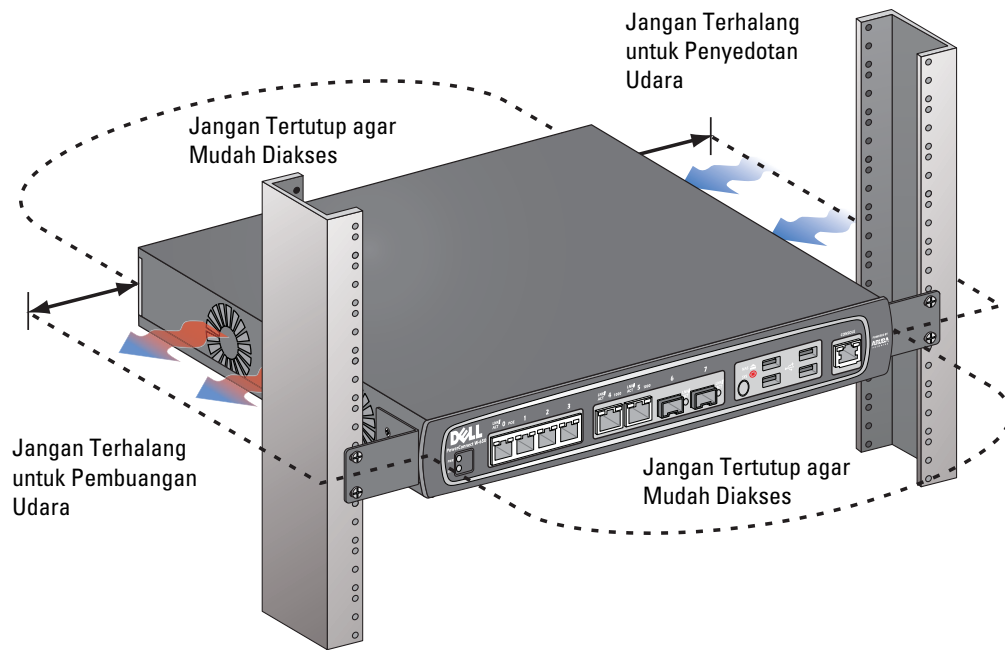
**Gambar 7** *Pemasangan Dudukan Rak*



5. Sisakan ruang minimal empat inci (10 cm) di sisi kiri dan kanan unit untuk ventilasi dan aliran udara yang baik (lihat [Gambar 8](#)).
6. Sisakan ruang tambahan di depan dan belakang unit untuk mengakses kabel listrik, kabel jaringan, dan indikator status LED (lihat [Gambar 8](#)).



**Gambar 8** Persyaratan Aliran Udara



7. Hubungkan kabel listrik AC (berbeda tiap negara) ke bagian belakang unit.
8. Colokkan ujung kabel listrik satunya ke stopkontak listrik untuk memberi listrik kepada kontroler.

**Catatan:** Seri W-650 kontroler tidak memiliki sakelar untuk menghidupkan atau mematikan daya ke unit. Daya ke unit dikendalikan dengan mencolokkan atau mencabut steker pada kabel listrik ke atau dari stopkontak listrik.

## Pemasangan di Rak Server

Untuk memasang kontroler Seri W-650 ke dalam sistem rak Server 19 inci (48,26 cm):

**Catatan:** Petunjuk berikut menjabarkan instalasi kontroler dalam rak dengan lubang segi empat tanpa ulir. Untuk rak dengan lubang bulat tanpa ulir, gunakan mur klip yang disediakan.

1. Letakkan braket dudukan rak di atas lubang dudukan pada satu sisi kontroler (lihat [Gambar 6](#)).
2. Pasangkan braket pada kontroler menggunakan tiga sekrup kepala Phillips M3, 6mm x 0,5 mm dan obeng yang sesuai.
3. Ulangi langkah-langkah ini pada sisi kontroler satunya.
4. Pasang keempat mur “cage”.

*Untuk memasang mur “cage” dengan alat pemasangan mur “cage”:*

- a. Mulailah dengan memasukkan lidah bawah mur “cage” di bagian bawah lubang segi empat di bagian belakang rel.
- b. Masukkan ujung kecil alat pemasangan mur “cage” melalui lubang di rel (dari depan), dan kaitkan alat di lidah atas mur “cage” itu.
- c. Dorong mur “cage” masuk, ke arah rel, sambil memutar alat naik dan menarik alat kembali ke arah Anda sampai lidah atas mur “cage” terpasang pada tempatnya.

Untuk memasang mur “cage” dengan obeng kepala datar:

- a. Mulailah dengan memasukkan lidah bawah mur “cage” di bagian bawah lubang segi empat di bagian belakang rel.
  - b. Tekan lidah atas mur “cage” dengan obeng kepala datar.
  - c. Sambil menekan lidah, dorong lidah mur “cage” seluruhnya ke dalam lubang di rel.
  - d. Lepaskan tekanan obeng pada mur “cage” agar terkunci di tempatnya.
5. Pasang kontroler di dalam sistem rak organisasi Anda, dengan empat sekrup kepala Phillips M6 x 20mm dan obeng yang sesuai.
  6. Sisakan ruang minimal empat inci (10 cm) di sisi kiri dan kanan unit untuk ventilasi dan aliran udara yang baik (lihat [Gambar 8](#)).
  7. Sisakan ruang tambahan di depan dan belakang unit untuk mengakses kabel listrik, kabel jaringan, dan indikator status LED (lihat [Gambar 8](#)).
  8. Hubungkan kabel listrik AC (berbeda tiap negara) ke bagian belakang unit.
  9. Colokkan ujung kabel listrik satunya ke stopkontak listrik untuk memberi listrik kepada kontroler.



---

**Catatan:** Seri W-650 kontroler tidak memiliki sakelar untuk menghidupkan atau mematikan daya ke unit. Daya ke unit dikendalikan dengan mencolokkan atau mencabut steker pada kabel listrik ke atau dari stopkontak listrik.

---

## Penempatan di Atas Meja

Untuk menempatkan kontroler Seri W-650 pada permukaan datar, seperti di permukaan meja:

1. Masukkan keempat kaki dudukan karet ke bagian bawah unit.
2. Tempelkan bezel samping dengan memasukkannya ke tempatnya.
3. Letakkan unit di atas permukaan keras yang datar.

## Setup Awal dan Konektivitas Jaringan

Setelah pemasangan fisik selesai, jalankan setup awal pada kontroler untuk mengonfigurasi alamat IP dan informasi sistem dasar lain. Untuk perincian dan petunjuk lengkap, rujuklah *Panduan Mulai Cepat ArubaOS*.

## Pelepasan

Untuk mengeluarkan kontroler Seri W-650 dari sistem rak 19 inci (48,26 cm):

1. Putuskan hubungan listrik ke kontroler dengan mencabut kabel listrik dari stopkontak.
2. Cabut kabel atau perangkat lain yang terpasang pada kontroler.
3. Kendurkan keempat sekrup dudukan rak yang menempelkan kontroler pada sistem rak organisasi.
4. Keluarkan kontroler dari sistem rak.

### Spesifikasi Fisik

Dimensi Perangkat (tanpa braket dudukan rak)

- Tinggi 1,5" (38 mm)
- Panjang 13,6" (346 mm)
- Lebar 8,9" (226 mm)

### Spesifikasi Daya

- Tegangan Masukan AC: 100-240 V, Masukan Universal
- Frekuensi Masukan AC: 50-60 Hz
- Konsumsi daya maksimum: 126 Watt
- Kapasitas total Daya lewat Ethernet: 78 Watt
- Kapasitas total Daya lewat Ethernet per port: 19,5 Watt

### Spesifikasi Operasi

- Kisaran Suhu Operasi: 0°C sampai 40°C (32°F sampai 104°F)
- Kisaran Kelembapan Operasi: 5% sampai 95% (Kelembapan Relatif), non-kondensasi

### Spesifikasi Penyimpanan

- Kisaran Suhu Penyimpanan: 0°C sampai 50°C (32°F sampai 122°F)
- Kisaran Kelembapan Penyimpanan: 5% sampai 95% (Kelembapan Relatif), non-kondensasi

### Spesifikasi Radio Nirkabel (Titik Akses Internal W-651)

#### Jenis Titik Akses

- Satu Radio, 3x3 Multiple-In, Multiple-Out (MIMO) menyediakan kecepatan data hingga 300 Mbps

#### Frekuensi Operasi

- 2,4-2,5 GHz atau 5,150–5,950 GHz

#### Saluran yang Tersedia

- Dikelola oleh Kontroler Mobilitas, tergantung pada domain pengatur yang dikonfigurasi

#### Modulasi

- 802.11b: Spektrum-Sebaran Urutan-Langsung (DSSS)
- 802.11a/g: Penjamakan Pembagian Frekuensi Ortogonal (OFDM)
- 802.11n: 802.11n draf 2.0

## Daya Pancar

- Dapat dikonfigurasi dalam pecahan 0,5 dBm

## Laju Asosiasi (Mbps)

- 802.11b: 11; 5,5; 2; 1 dengan fallback otomatis
- 802.11a/g: 54, 48, 36, 24, 18, 12, 9, 6 dengan fallback otomatis
- 802.11n: MCS0 - MCS15 (6,5Mbps - 300Mbps)

## 802.11n Dukungan Kecepatan Tinggi (High-Throughput/HT)

- HT 20
- HT 40

## 802.11n Agregasi Paket

- A-MPDU
- A-MSDU

## Antena (Titik Akses Internal W-651)

- Tiga antarmuka RP-SMA untuk dukungan antena eksternal (mendukung hingga 3x3 MIMO dengan keragaman spasial)
- Tiga antena omni dual-band AP-ANT-1B disertakan

## Kepatuhan Peraturan dan Keselamatan

Dell menyediakan dokumen multi-bahasa yang mengandung pembatasan yang berbeda tiap negara dan informasi keselamatan dan peraturan tambahan untuk semua produk perangkat keras Dell. Dokumen *Informasi Keselamatan, Lingkungan, dan Peraturan Seri W PowerConnect Dell* disertakan bersama produk ini.



---

**Hati-hati:** Penggunaan kontrol atau penyesuaian kinerja atau prosedur selain yang disebutkan dalam pedoman ini dapat mengakibatkan keterpaparan radiasi berbahaya.

---

Produk ini mematuhi 21 CFR Bab 1, Subbab J, Bagian 1040.10, dan IEC 60825-1: 1993, A1: 1997, A2: 2001, IEC 60825-2: 2000.

Agar terus patuh kepada standar keselamatan laser di atas, hanya modul Kelas 1 yang disetujui, dari vendor kami yang disetujui, yang sebaiknya diinstal dalam produk Dell.

## Perangkat Kelas B FCC

Peralatan ini telah diuji dan didapati mematuhi batas untuk perangkat digital Kelas B, sesuai dengan bagian 15 dalam Peraturan FCC. Batas ini dirancang untuk memberi perlindungan yang wajar terhadap interferensi berbahaya dalam instalasi di rumah tinggal. Peralatan ini menghasilkan, menggunakan, dan dapat meradiasikan energi frekuensi radio dan, jika tidak diinstal dan digunakan sesuai dengan petunjuk, dapat menimbulkan interferensi berbahaya bagi komunikasi radio. Namun, tidak ada jaminan bahwa interferensi tidak akan terjadi dalam instalasi tertentu. Jika peralatan ini memang menyebabkan interferensi berbahaya bagi penerimaan radio atau televisi, yang dapat diketahui dengan mematikan dan menghidupkan peralatan, pengguna dianjurkan mencoba memperbaiki interferensi itu dengan satu atau lebih tindakan berikut:

- Mengubah arah atau letak antena penerima.
- Menambah jarak antara peralatan dan penerima.
- Menghubungkan peralatan ke outlet di rangkaian yang berbeda dengan yang terhubung ke penerima.
- Meminta tolong kepada dealer atau teknisi radio/TV berpengalaman (kita dapat mengubah ini menjadi nasihat untuk meminta tolong kepada pemasang profesional).

Untuk daftar lengkap Peraturan di Negara Tertentu, tanyakanlah kepada Wiraniaga Dell.

## Pernyataan Keterpaparan Radiasi Frekuensi Radio

Peralatan ini mematuhi batas keterpaparan radio frekuensi radio dari FCC. Peralatan ini sebaiknya dipasang dan dioperasikan dengan jarak minimum 13,78 inci (35 cm) antara radiator dan tubuh Anda untuk operasi 2,4 GHz dan 5 GHz. Pemancar ini tidak boleh diletakkan di samping atau beroperasi bersama antena atau pemancar lain. Saat dioperasikan dalam kisaran frekuensi 5,15 sampai 5,25 GHz, perangkat ini dibatasi penggunaannya di dalam ruangan untuk mengurangi potensi terjadinya interferensi berbahaya dengan Sistem Satelit Seluler saluran bersama.

### W-650

- EN 55022 Kelas B
- EN 55024
- IEC/EN 60950
- Penandaan CE
- Ditandai cTUVus
- Disertifikasi Skema CB

### W-651

- FCC 15.247/15.407
- Arahan EU R&TTE 1999/5/EC (EN 300 328, EN 301 893, EN 301 489)
- Arahan EU LV 2006/95/EC
- IEC/EN 60950
- Penandaan CE
- Ditandai cTUVus
- Disertifikasi Skema CB

Untuk daftar lengkap Peraturan di Negara Tertentu, tanyakanlah kepada Wiraniaga Dell.

## Informasi NOM (Meksiko Saja)

Informasi berikut ini disediakan untuk perangkat yang diuraikan dalam dokumen ini, untuk mematuhi persyaratan standar Meksiko resmi (NOM):

Importir: Dell Inc. de Mexico, S.A. de C.V.  
Paseo de la Reforma 2620-11° Piso  
Col. Lomas Atlas  
11950 Mexico, D.F.

Nomor Model: 650/651

- Tegangan Catu: 100-240 V AC
- Frekuensi: 47-63 Hz
- Konsumsi arus: 2,0 A

## Cara Membuang Peralatan Dell yang Benar

Untuk informasi terbaru tentang Kepatuhan Lingkungan Global dan produk Dell, rujuklah dokumen *Informasi Keselamatan, Lingkungan, dan Peraturan Seri W PowerConnect Dell* yang disertakan dengan produk ini atau lihat situs web kami di [www.dell.com](http://www.dell.com).

### RoHS Uni Eropa



Produk Dell juga mematuhi Arahan tentang Pembatasan Zat Berbahaya Uni Eropa 2002/95/EC (RoHS). RoHS EU membatasi penggunaan bahan berbahaya tertentu dalam pembuatan peralatan listrik dan elektronik. Secara spesifik, bahan yang dibatasi oleh Arahan RoHS adalah Timbel (termasuk Solder yang digunakan dalam perakitan sirkuit cetak), Kadmium, Air Raksa, Kromium Heksavalen, dan Bromin. Sebagian produk Dell termasuk dalam pengecualian yang tercantum dalam Annex 7 Arahan RoHS (Timbel dalam solder yang digunakan dalam perakitan sirkuit cetak). Produk dan kemasan akan ditandai dengan label “RoHS” yang berada di kiri, menandakan kepatuhan pada Arahan ini.

# בקר Dell PowerConnect W-650

מדריך התקנה



## זכויות יוצרים

© 2010 Aruba Networks, Inc. AirWave®, Aruba Networks®, Aruba Mobility Management System®  
וסימנים רשומים אחרים הם סימנים מסחריים של Dell™, Aruba Networks, Inc. הלוגו של Dell™ ו- PowerConnect™ הם  
סימנים מסחריים של Dell Inc.

כל הזכויות שמורות. המפרטים במדריך זה כפופים לשינויים ללא הודעה.

נוצר בארה"ב. כל הסימנים המסחריים המופיעים במדריך זה הם קניין בעליהם בהתאמה.

## מקור קוד פתוח

חלק ממוצרי Aruba כוללים קוד תוכנת מקור פתוח על-ידי צדדים שלישיים, כולל קוד תכנה כפוף ל- GNU General Public License (GPL), GNU Lesser General Public License (LGPL), או רישיון קוד פתוח אחר. את קוד המקור הפתוח שנמצא בשימוש ניתן למצוא באתר זה:

[http://www.arubanetworks.com/open\\_source](http://www.arubanetworks.com/open_source)

## הודעה משפטית

השימוש בפלטפורמות ותוכנת המיתוג של Aruba Networks, Inc. על-יד כל האנשים הפרטיים או הארגונים, כדי לסיים התקני לקוח של ספקי VPN אחרים יוצרת הסכמה מוחלטת של חבות על-ידי אדם פרטי או ארגון אלה עבור פעולה זו ושיפוי, במלואו, של Aruba Networks, Inc מפני מפני פעולות חוקיות כלשהן וכולן העשויות להינקט נגדה בהתייחס להפרה של זכויות יוצרים מטעם ספקים אלה.



<b>5</b>	.....	<b>מבוא</b>
5	..... סקירה כללית	
5	..... תיעוד קשור	
5	..... יצירת קשר עם Dell	
<b>7</b>	.....	<b>פרק 1</b>
	..... <b>אודות הבקר W-650 Series</b>	
7	..... דרישות מערכת מינימליות	
7	..... רשימת בדיקה לאריזה	
8	..... סריקה כללית של דגם החומרה	
8	..... מבט חזית	
8	..... יציאות 10/1000Base-X (SFP)	
8	..... יציאות 10/100/1000Base-T Gigabit Ethernet	
8	..... יציאת מסוף טורית	
9	..... מתאם יציאת מסוף טורית	
9	..... יציאות USB	
10	..... לחצן הוצאת מדיה	
10	..... מבט מאחור	
10	..... שקע חשמל AC	
11	..... חריץ ExpressCard	
11	..... ממשקי אנטנה (W-651 בלבד)	
11	..... מחווני מצב נורית	
<b>13</b>	.....	<b>פרק 2</b>
	..... <b>התקנה W-650 Series</b>	
13	..... דרישות קדם התקנה	
13	..... עבור מעמד טלקומוניקציה:	
13	..... עבור מעמד שרת:	
13	..... התקנה במעמד טלקומוניקציה	
15	..... התקנה במעמד שרת	
16	..... פריסה על שולחן	
16	..... הגדרה ראשונית וקישוריות רשת	
16	..... הסרה	
<b>17</b>	.....	<b>נספח A</b>
	..... <b>מפרטים, בטיחות והתאמה</b>	
17	..... מפרטים פיזיים	
17	..... מפרטי חשמל	
17	..... מפרטי תפעול	
17	..... מפרטי אחסון	
17	..... מפרטי רדיו אלחוטי (נקודת גישה פנימית של W-651)	
17	..... סוג נקודת גישה	
17	..... תדר תפעול	
17	..... ערוצים זמינים	
17	..... אפנון	

18	הספק שידור.....
18	קצב שיוך (Mbps).....
18	תמיכה בקצב העברה גבוה (High-Throughput - HT) ב- 802.11n.....
18	802.11n Packet Aggregation.....
18	אנטנה (נקודת גישה פנימית של W-651).....
18	תאימות לבטיחות ולתקינה.....
18	FCC Class B Device.....
19	הצהרת חשיפה לקרינת תדר רדיו.....
19	W-650.....
19	W-651.....
20	מידע NOM (מקסיקו בלבד).....
20	דרך נאותה להשלכת ציוד Dell.....
20	RoHS של האיחוד האירופי.....

מבוא זה כולל את המידע הבא:

- סקירה כללית על תוכנו של מדריך זה
- רשימה של מסמכים קשורים לשם קריאה נוספת
- פרטים על תמיכה ושירות

## סקירה כללית

- פרק 1, "אודות בקר PowerConnect W-650 Series" בעמוד 7 מספק סקירה כללית מפורטת על חומרת ה-W-650 Series.
- פרק 2, "התקנת בקרי W-650 Series" בעמוד 13 מספר הוראות להרכבה ולהתקנה במעמד.
- ספח A, "מפרטים, בטיחות והתאמה" בעמוד 17 כולל מפרט טכני של המוצר, מידע על בטיחות, תקינה והתאמה.

## תיעוד קשור

התיעוד הבא מוזכר במדריך זה ונחשב כחלק מהרכיבים של ערכת התיעוד המלא שנדרשת לשם התקנה וניהול מוצלחים של בקר Dell Mobility.

- *Dell PowerConnect ArubaOS Quick Start Guide*
- *Dell PowerConnect ArubaOS User Guide*
- *Dell PowerConnect ArubaOS 5.0 Command Line Reference*

## יצירת קשר עם Dell

תמיכה באמצעות אתר אינטרנט	
<a href="http://www.dell.com">www.dell.com</a>	אתר ראשי
<a href="http://support.dell.com">support.dell.com</a>	אתר תמיכה
<a href="http://support.dell.com/manuals">support.dell.com/manuals</a>	תיעוד
<a href="https://download.dell-pcw.com">https://download.dell-pcw.com</a>	הנכות



בקר Dell PowerConnect W-650 Series הוא בקר LAN אלחוטי ברמה ארגונית. הבקר מחבר, מבקר ומשלב נקודות גישה אלחוטיות (APs) ו-Air Monitors (מנטרי ערוץ כשאין שידור - AMs) לתוך מערכת LAN חוטית.

- ה- W-650 מסוגל לתמוך לכל היותר ב- 16 נקודות גישה קמפוס חיצוניות.
- ה- W-651 מסוגל לתמוך לכל היותר ב- 16 נקודות גישה קמפוס חיצוניות, בנוסף לנקודת הגישה הפנימית היחידה שלו.

## דרישות מערכת מינימליות

הבקר W-650 Series מחייב ArubaOS גרסת 5.0.2 ואילך.

**הערה:** הבקר הראשי, הבקר הראשי היתיר שלו, וכל הבקרים המקומיים שלו חייבים לפעול באותו קוד של ArubaOS. לאחר שתשדרג את הרשת ותתקין את בקר W-650 Series Mobility ברשת, ודא שגרסת התוכנה בבקר תואמת לחלק הנותר של הרשת.



## רשימת בדיקה לאריזה

- בקר W-650 Series Mobility
- כבל חשמל AC (ספציפי למדינה)
- זוויות להתקנה במעמד
- חומרה להתקנה במעמד עבור מערכות שרת וטלקומוניקציה
- מסגרת צד שמאל (לא מותקנת)
- מסגרת צד ימין (לא מותקנת)
- רגליות גומי (לפריסות על שולחן)
- כבל טורי שטוח (RJ-45)
- מתאם יציאת כבל טורית (RJ-45 אל DB9)
- אנטנה נתיקה, פס כפול, הגברה גבוהה, רב-כיוונית (3x)
- מדריך להתחלה מהירה Dell PowerConnect ArubaOS
- הסכם רישיון למשתמש קצה (EULA)
- מסמך מידע בנושא בטיחות, סביבה ותקינה (SERI)
- מסמך מידע בנושא אחריות ותמיכה (WSI)

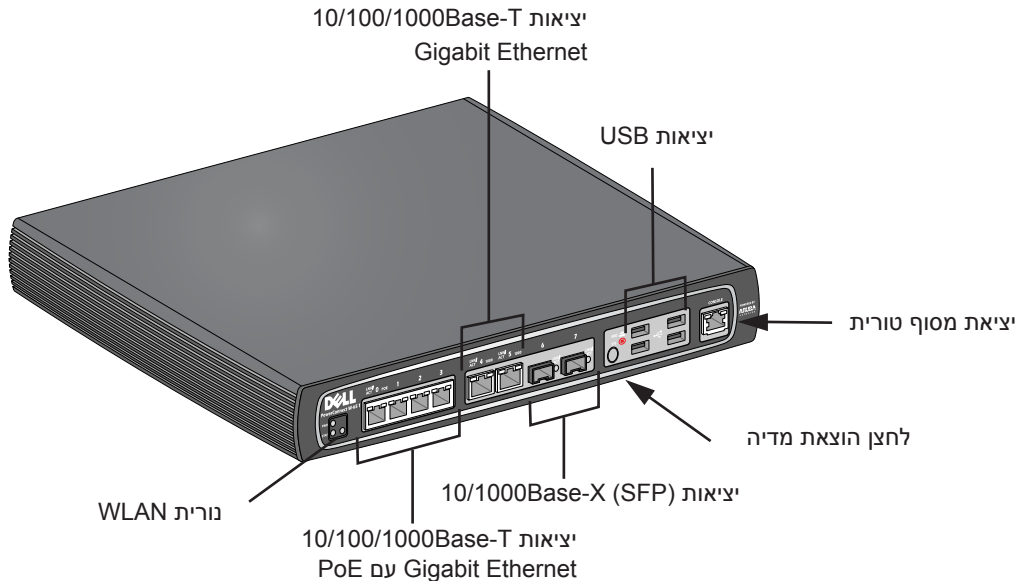
**הערה:** הודע לספק אם קיימים חלקים שגויים, חסרים או פגומים. אם ניתן, שמור על הקרטון, כולל חומרי האריזה המקוריים. השתמש בחומרי האריזה כדי לארוז מחדש את היחידה לספק, אם נדרש.



# סריקה כללית של דגם החומרה

## מבט חזית

איור 1 W-650 Series מבט חזית



## יציאות 10/1000Base-X (SFP)

קיימות שתי יציאות 1000Base-X לקישוריות סיב אופטי ומיועדות לשימוש עם Dell W-Series SFPs (mini-GBICs). כדי לרכוש מודולים תואמים של SFP, פנה לנציג המכירות של לקבלת פרטים וסיוע.

הערה: Dell בודקת ותומכת ב-Dell optics במסגרת מערכת הבקר שלהם. האופטיות של צד שלישי אינה נבדקת או נתמכת. לפיכך Dell אינה מבטיחה פונקציונליות נאותה של אופטיות צד שלישי בעת שימוש עם מערכת Dell.



## יציאות 10/100/1000Base-T Gigabit Ethernet

קיימות שש יציאות 10/100/1000Base-T Gigabit Ethernet (RJ-45) ב-W-650 Series. Gigabit Ethernet משתמש בכל שמונה החוטים וכל זוג משמש בצורה דו-כיוונית, כלומר, אותו זוג משמש הן לשידור נתונים והן לקבלה. איור 2 מדגים את תרשימים הפינים של CAT-5 שנמצא על מחבר RJ-45. תרשימים הפינים ה-CAT-5 מתאים את זוגות הפינים הבאים ביציאות 10/100/1000Base-T Gigabit Ethernet: 1/2, 3/6, 4/5, 7/8.

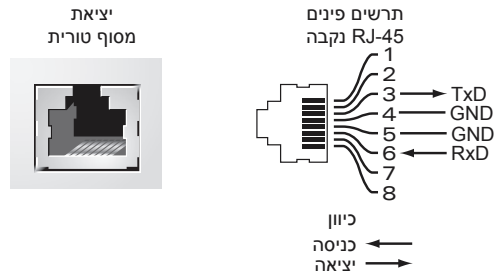
### איור 2 תרשימים פינים של יציאת Gigabit Ethernet

יציאות 1000Base-T Gigabit Ethernet	תרשימים פינים RJ-45 נקבה	שם אות	פונקציה
	1	BI_DA+	Bi-directional pair +A
	2	BI_DA-	Bi-directional pair -A
	3	BI_DB+	Bi-directional pair +B
	4	BI_DC+	Bi-directional pair +C
	5	BI_DC-	Bi-directional pair -C
	6	BI_DB-	Bi-directional pair -B
	7	BI_DD+	Bi-directional pair +D
	8	BI_DD-	Bi-directional pair -D

## יציאת מסוף טורית

יציאת מסוף טורית מסופקת לשם חיבור למסוף, ומאפשרת ניהול מקומי ישיר.

### איור 3 תרשים פינים של יציאת מסוף טורית



הגדרות תקשורת עבור היציאה הטורית מצוינות ב: **טבלה 1**.

**טבלה 1** הגדרות סיים מסוף

קצב שידור	סיביות נתונים	זוגיות	סיביות עצירה	בקרת זרימה
9600	8	ללא	1	ללא

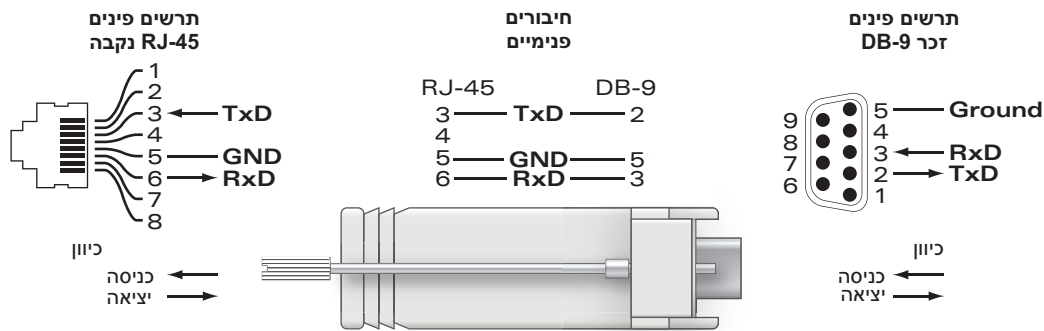
**זהירות:** אל תחבר נקודת גישה ליציאת מסוף טורית. יציאת המסוף הטורית תואמת להתקני RS-232. התקנים שאינם RS-232, דוגמת נקודות גישה, אינם נתמכים.



### מתאם יציאת מסוף טורית

מתאם מודולרי שיכול לשמש להמרת מחבר RJ-45 (נקבה) למחבר DB9 (זכר). לקבלת פרטים מלאים, עיין ב: **איור 4**.

**איור 4** RJ-45 מתאם המרה מודולרי (נקבה) אל DB9 (זכר)



### יציאות USB

ה- W-650 Series כולל ארבע ממשקי USB 2.0. ממשקים אלה מאפשרים שימוש במודם EVDO/HSPDA, התקני אחסון Flash או דיסק, או מדפסת. למידע נוסף על הגדרת התקני USB והשימוש בהם עם ה- W-650 Series ראה את המדריך למשתמש של ArubaOS.

## לחצן הוצאת מדיה

ה-W-650 Series מצויד בלחצן להוצאת מדיה, המאפשר למשתמשים להוציא התקני אחסון בצורה בטוחה ולהעביר את המערכת למצב המתנה. עם הלחיצה על הלחצן, כל התקני האחסון המדיה שמחוברים לבקר דרך USB יוצאים. מדפסות והתקני EVDO אינם מושפעים.

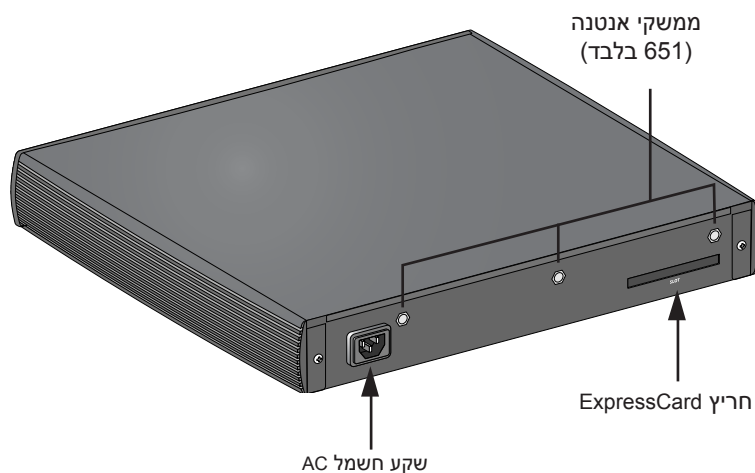
לחיצה על לחצן הוצאת המדיה משנה את מצבו של W-650 Series; הטבלה שלמטה מתארת את המצבים ואת פעולת הנוריות המשויכים ללחצן הוצאת המדיה.

### טבלה 2 פעולת נורית לחצן הוצאת מדיה

מצב ראשוני	מצב נורית	פעולה	נורית סטטוס	פונקציה	סיום פעות נורית
מדיית NAS תפעולית	ירוק-יציב	לחץ לחיצה ארוכה על לחצן הוצאת המדיה במשך 1 עד 5 שניות בלבד	כתום-מהבהב	כל מדיית NAS שהוסרה	כתום-יציב
מדיית NAS שהוסרה	כתום-יציב	לחץ לחיצה ארוכה על לחצן הוצאת המדיה במשך 1 עד 5 שניות בלבד	כתום-מהבהב	טען כל התקן NAS מחובר וחזור למצב תפעולי מלא	ירוק-יציב
תפעולי	ירוק-יציב	לחץ לחיצה ארוכה על לחצן הוצאת המדיה למשך יותר מ-5 שניות בלבד	אדום-מהבהב	הבקר עובר למצב המתנה	אדום-יציב
פועל עם מדיית NAS שהוסרה	כתום-יציב	לחץ לחיצה ארוכה על לחצן הוצאת המדיה למשך יותר מ-5 שניות בלבד	אדום-מהבהב	הבקר עובר למצב המתנה	אדום-יציב
המתנה	אדום-יציב	לחץ על לחצן הוצאת המדיה	כתום-מהבהב	התעוררות בקר	ירוק-יציב

## מבט מאחור

### איור 5 מבט מאחור של W-650 Series (מוצג 651)



## שקע חשמל AC

תומך בהפעלה משולבת באמצעות AC ושקע חשמל AC בחלק האחורי של היחידה משמש עבור כבל חשמל AC (ספציפי למדינה). לקבלת מפרטי חשמל, עיין ב: "מפרטי חשמל" בעמוד 17



## חריץ ExpressCard

ה-W-650 Series מצויד בחריץ ExpressCard אחד, שבו ניתן להשתמש יחד עם התקן EVDO.

### ממשקי אנטנה (W-651 בלבד)

ה-W-651 מצויד בנקודת גישה (AP) פנימית. נקודת גישה זו יכול לפעול ברוחב פס של 2.4 GHz ושל 5 GHz במצבים a/b/g או n. לכל מכשיר יש שלושה ממשקי RP-SMA לחיבור האנטנה שכלולה בערכה זו.

## מחווני מצב נורית

### טבלה 3 W-650 Series מחווני מצב

נורית	תווית	פונקציה	מחווון	מצב
חשמל	POWER	מחווון מצב כניסת חשמל	פועל (ירוק יציב)	מופעל
			כבוי	לא מופעל
מצב	STATUS	מחווני מצב מדול	פועל (ירוק יציב)	ההתקן תפעולי
			פועל (אדום יציב)	כשל של ההתקן או במצב המתנה
			פועל (כתום יציב)	ההתקן טוען תוכנה
			כבוי	לא מופעל
יציאות 1000Base-X (SFP)	LNK/ACT	מחווון מצב קישור	פועל (ירוק יציב)	הקישור נוצר
			פועל (ירוק מהבהב)	היציאה משדרת או מקבלת נתונים
			כבוי	אין קישור ביציאה
יציאות 10/100/1000Base-T	LNK/ACT	מחווון מצב קישור/פעילות	פועל (ירוק יציב)	הקישור נוצר
			פועל (ירוק מהבהב)	היציאה משדרת או מקבלת נתונים
			כבוי	אין קישור ביציאה
1000	1000	מהירות ממשק	פועל (ירוק יציב)	1000 Mbps
			כבוי	10/100 Mbps
יציאות 10/100/1000Base-T עם PoE	LNK/ACT	מחווון מצב קישור/פעילות	פועל (ירוק יציב)	הקישור נוצר
			פועל (ירוק מהבהב)	היציאה משדרת או מקבלת נתונים
			כבוי	אין קישור ביציאה
PoE	PoE	מחווני מצב PoE	פועל (ירוק יציב)	מסופק PoE
			פועל (כתום יציב)	ההתקן המחובר ביקש PoE, אולם היציאה אינה מספקת PoE
			כבוי	לא מסופק PoE
נקודת גישה 802.11 a/b/g/n (W-651 בלבד)	WLAN	מצב נקודת גישה	פועל (כתום יציב)	רדיו מאופשר במצב WLAN
			פועל (ירוק יציב)	רדיו מאופשר במצב 802.11n
			פועל (ירוק מהבהב)	מצב Air monitor
			כבוי	רדיו מושבת



## דרישות קדם התקנה

הכלים והציוד הבאים נדרשים כדי להתקין את בקר W-650 Series.

- זוויות להתקנה במעמד (x2, לא נדרשות להתקנה על השולחן)
- מברגים מתאימים
- כבל חשמל AC (ספציפי למדינה)
- מסגרות צד שמאל וצד ימין (לא נדרשות להתקנה במעמד)

אזהרה: לפני ביצוע ההליך הבא, בדוק את הוראות הבטיחות שמצורפות לבקר.



### עבור מעמד טלקומוניקציה:

- M3, ברגים עם ראש פיליפס 0.5 מ"מ x 6 מ"מ (x6, כלולים)
- ברגים עם ראש פיליפס 5/8" x 12-24 (x4, כלולים)

### עבור מעמד שרת:

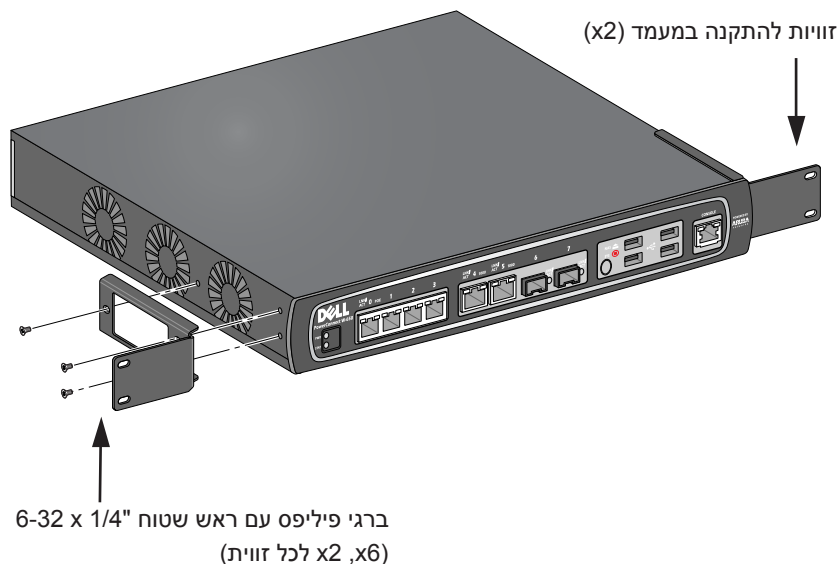
- M3, ברגים עם ראש פיליפס 0.5 מ"מ x 6 מ"מ (x6, כלולים)
- ברגים עם ראש פיליפס M6 x 20 מ"מ (x4, כלולים)
- אומים M6 (x4, כלולים) או תפסים לבורג M6 (x4, כלולים)

## התקנה במעמד טלקומוניקציה

כדי להתקין בקר W-650 Series במערכת מעמד טלקומוניקציה של 19 אינץ' (48.06 ס"מ):

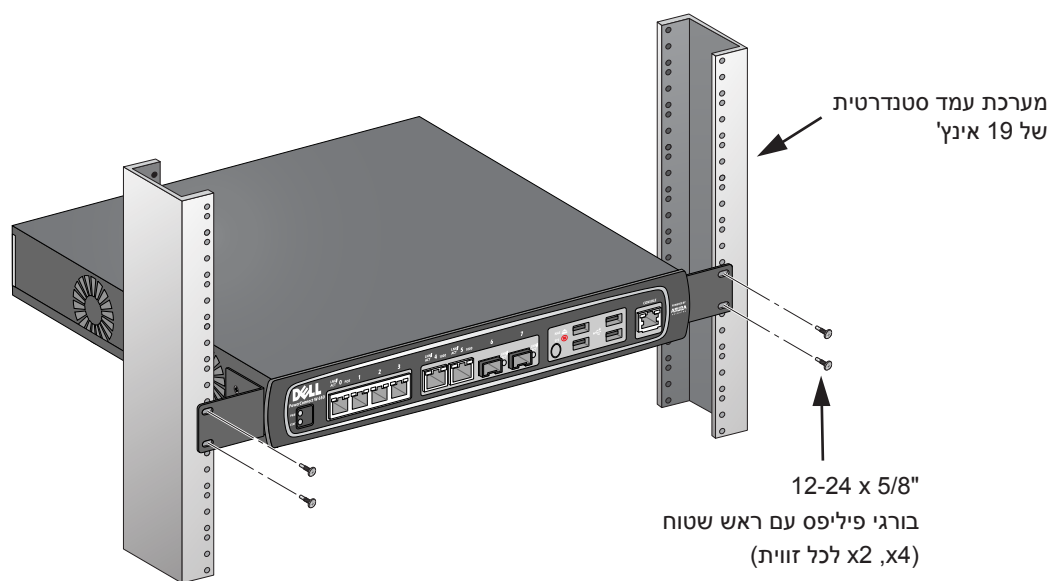
1. הנח את זווית ההרכבה במעמד על חורי ההרכבה בצד אחד של הבקר (ראה את איור 6).
2. הברג בעזרת מברג את הזווית לבקר עם בורגי ראש פיליפס M3, 0.5 מ"מ x 6 מ"מ.
3. חזור על השלבים בצד השני של הבקר.

## איור 6 זוויות להתקנה במעמד



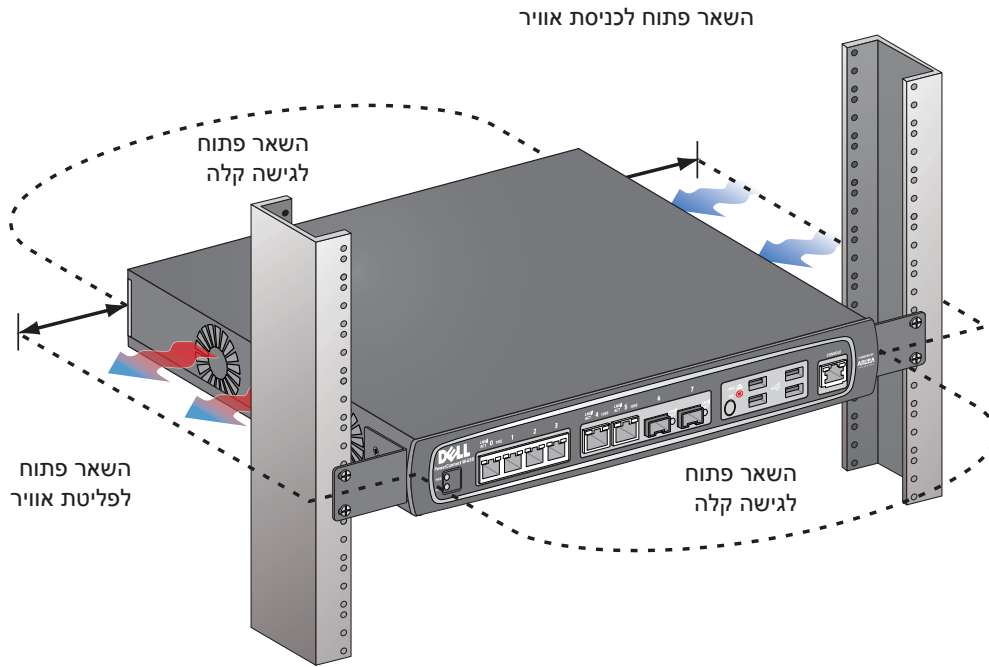
4. הרכב את הבקר במערכת המעמד של הארגון בעזרת בורגי ראש שטוח של פיליפס  $12-24 \times 5/8$  ומברג מתאים (ראה איור 7).

## איור 7 התקנה במעמד



5. השאר רווח של 10 ס"מ לפחות בצד ימין ובצד שמאל של היחידה כדי לאפשר זרימת אוויר ואוורור נאותים (ראה את איור 8).

6. השאר מרווח נוסף בחזית ובחלק האחורי של היחידה כדי לגשת לכבלי חשמל, כבלי רשת, ונוריות מחווני מצב (ראה את איור 8).



7. חבר את כבל החשמל (ספציפי למדינה) לחלק האחורי של היחידה.
8. חבר את הקצה השני של כבל החשמל לשקע חשמל כדי לספק חשמל ליחידה.

הערה: הבקר W-650 Series אינו כולל מתג להפעלת/כיבוי אספקת החשמל ליחידה. שליטה בחשמל המסופק לבקר מתבצעת על-ידי חיבור או ניתוק תקע החשמל שעל הכבל לשקע חשמל.



## התקנה במעמד שרת

כדי להתקין בקר W-650 Series במערכת מעמד שרת של 19 אינץ' (48.06 ס"מ):

הערה: ההוראות הבאות מתארות את התקנת הבקר במעמד עם חורים מרובעים ללא תבריג. במעמד עם חורים עגולים ללא תבריג, השתמש במקום זאת באומים לברגים.



1. הנח את זווית ההרכבה במעמד על חורי ההרכבה בצד אחד של הבקר (ראה את איור 6).
2. הברג בעזרת מברג מתאים את הזווית לבקר עם שלושה בורגי ראש פיליפס M3, 0.5 מ"מ x 6 מ"מ.
3. חזור על השלבים בצד השני של הבקר.
4. התקן את ארבעת האומים.

כדי להתקין את האומים בעזרת כלי להתקנת אומים:

- א. התחל על-ידי הכנסת השפה התחתונה של האום על החלק התחתון של הפתח המרובע בחלק האחורי של המסילה.
- ב. הכנס את הקצה הקטן של כלי התקנת האומים דרך הפתח במסילה (מכיוון החזית), ומקם את הכלי מעל לשפה העליונה של האום.
- ג. דחף את האום פנימה לכיוון המסילה תוך כדי סיבוב הכלי מעלה ומשיכת הכלי לאחור לכיוון שלך עד אשר השפה העליונה של האום נכנסת למקומה בנקישה.

כדי להתקין את האומים בעזרת מברג שטוח:

- א. התחל על-ידי הכנסת השפה התחתונה של האום על החלק התחתון של הפתח המרובע בחלק האחורי של המסילה.
- ב. דחס את השפה עליונה של האום בעזרת המברג השטוח.
- ג. כאשר השפה דחוסה, דחוף במלואה את שפת האום לתוך הפתח במסילה.
- ד. שחרר את לחץ המברג על האום כדי שיינעל במקומו.
5. הרכב את הבקר במערכת המעמד של הארגון בעזרת בורגי ראש פיליפס M6 x 20 מ"מ ומברג מתאים.
6. השאר רווח של 10 ס"מ לפחות בצד ימין ובצד שמאל של היחידה כדי לאפשר זרימת אוויר ואוורור נאותים (ראה את איור 8).
7. השאר מרווח נוסף בחזית ובחלק האחורי של היחידה כדי לגשת לכבלי חשמל, כבלי רשת, ונוריות מחווני מצב (ראה את איור 8).
8. חבר את כבל החשמל (ספציפי למדינה) לחלק האחורי של היחידה.
9. חבר את הקצה השני של כבל החשמל לשקע חשמל כדי לספק חשמל ליחידה.

---

הערה: הבקר W-650 Series אינו כולל מתג להפעלת/כיבוי אספקת החשמל ליחידה. שליטה בחשמל המסופק לבקר מתבצעת על-ידי חיבור או ניתוק תקע החשמל שעל הכבל לשקע חשמל.

---



## פריסה על שולחן

כדי לפרוס בקר W-650 Series על משטח שטוח, דוגמת שולחן:

1. הכנס את ארבע רגליות הגומי בחלק התחתון של היחידה.
2. חבר את המסגרות על-ידי הכנסתן למקום בנקישה.
3. הנח את היחידה על משטח שטוח וקשה.

## הגדרה ראשונית וקישוריות רשת

בסיום ההתקנה הפיזית, הפעל את ההגדרה הראשונית על הבקר כדי להגדיר כתובת IP ופרטים בסיסיים אחרים של המערכת. לקבלת ההוראות והפרטים המלאים, עיין ב: *ArubaOS Quick Start Guide*.

## הסרה

כדי להסיר בקר W-650 Series ממערכת מעמד של 19 אינץ' (48.06 ס"מ):

1. נתק את אספקת החשמל לבקר על-ידי ניתוק כבל החשמל משקע החשמל.
2. נתק את כל הכבלים או ההתקנים האחרים שמחוברים לבקר.
3. שחרר את ארבעת בורגי המרכב שמחברים את הבקר למערכת המעמד של הארגון.
4. הסר את הבקר ממערכת המעמד.

## מפרטים פיזיים

ממדי ההתקן (ללא זוויות להרכבה במעמד)

- גובה 38 מ"מ
- רוחב 346 מ"מ
- עומק 226 מ"מ

## מפרטי חשמל

- מתח כניסת AC: 100-240 V, כניסה אוניברסלית
- תדר כניסת AC: 50-60 Hz
- צריכת חשמל מקסימלית: 126 וואט
- יכולת כוללת של Power over Ethernet: 78 וואט
- כולת Power over Ethernet לכל יציאה: 19.5 וואט

## מפרטי תפעול

- טווח טמפרטורת הפעלה: 0 עד 40 מעלות צלזיוס
- טווח לחות הפעלה: 5% עד 95% לחות יחסית, ללא עיבוי

## מפרטי אחסון

- טווח טמפרטורת אחסון: 0 עד 50 מעלות צלזיוס
- טווח לחות אחסון: 5% עד 95% לחות יחסית, ללא עיבוי

## מפרטי רדיו אלחוטי (נקודת גישה פנימית של W-651)

### סוג נקודת גישה

- רדיו יחיד, 3x3 Multiple-In, Multiple-Out (MIMO), מספק קצב נצונים של 300 Mbps

### תדר תפעול

- 2.4-25 GHz או 5-5.950 GHz

### ערוצים זמינים

- מנוהל בקר Mobility, תלוי בדומיין מוסת מוגדר

### אפנון

- 802.11b: Direct-Sequence Spread-Spectrum (DSSS)
- 802.11a/g: Orthogonal Frequency Division Multiplexing (OFDM)
- 802.11n: 802.11n draft 2.0

## הספק שיזור

- ניתן להגדרה בפסיעות של 0.5 dBm

## קצב שיוך (Mbps)

- 802.11b: 11, 5.5, 2, 1 עם fallback אוטומטי
- 802.11a/g: 54, 48, 36, 24, 18, 12, 9, 6 עם fallback אוטומטי
- 802.11n: MCS0 - MCS15 (6.5Mbps - 300Mbps)

## תמיכה בקצב העברה גבוה (High-Throughput - HT) ב- 802.11n

- HT 20
- HT 40

## 802.11n Packet Aggregation

- A-MPDU
- A-MSDU

## אנטנה (נקודת גישה פנימית של W-651)

- שלושה ממשקי RP-SMA לתמיכה באנטנה חיצונית (תמיכה לכל היותר ב- 3x3 MIMO עם גיוון מרחבי)
- כלולות שלוש אנטנות AP-ANT-1B רב כיווניות עם פס כפול

## תאימות לבטיחות ולתקינה

Dell מספקת תיעוד בשפות מרובות המכיל הגבלות ספציפיות לארץ ומידע נוסף על בטיחות ותקינה עבור כל מוצר החומרה של Dell. המסמך *Dell PowerConnect W-Series Safety, Environmental, and Regulatory Information* כלול יחד עם מוצר זה.



**זהירות:** שימוש בבקורות או התאמות של ביצועים או הליכים השונים מאלה שמצויינים במדריך זה, עלולים לגרום לחשיפה לקרינה מסוכנת.



מוצר זה תואם ל: 1997, A2; 1993, A1; IEC 60825-1: 2000, IEC 60825-2: 2001, 21 CFR Chapter 1, Subchapter J, Part 1040.10.

כדי שההתאמה לתקני הלייזר לעיל תישמר, יש להתקין במוצרי Dell רק מודולים מאושרים מסוג Class 1 מהספקים המורשים שלנו.

## FCC Class B Device

התקן זה נבדק ונמצא תואם להגבלות התקן דיגיטלי Class B, בהמשך לחלק 15 של כללי ה-FCC. הגבלות אלה נועדו לספק הגנה סבירה כנגד הפרעות מזיקות בהתקנה באזור מגורים. ציוד זה מפיק, משתמש ועשוי להקרין אנרגיה בתדירות רדיו, ולפיכך התקנה ושימוש בציוד זה שלא בהתאם להוראות, עלולים לגרום להפרעות מזיקות לתקשורת רדיו. עם זאת, אין ערובה לכך שלא תיגרם הפרעה בהתקנה מסוימת. אם ציוד זה גורם הפרעה מזיקה לקליטת רדיו או טלוויזיה, שאותה ניתן לקבוע על-ידי הפעלה וכיבוי של הציוד, על המשתמש לנסות ולתקן את ההפרעה באמצעות אחד או יותר מהאמצעים הבאים:



- כיוון מחדש או מיקום מחדש של אנטנת הקליטה.
  - הגדלת ההפרדה בין הציוד לבין המקלט.
  - חיבור הציוד לשקע הנמצא במעגל שונה מזה שאליו מחובר המקלט.
  - קבלת ייעוץ מהספק או מטכנאי רדיו/טלוויזיה מנוסה (אנו יכולים לשנות זאת כדי לייעץ לקבל סיוע של מתקין מקצועי).
- לקבלת רשימה מלאה של תקינה ספציפית לארץ, נא לפנות לנציג של Dell.

## הצהרת חשיפה לקרינת תדר רדיו

הציוד תואם למגבלות חשיפה לקרינה תדר רדיו של ה-FCC. יש להתקין ולהפעיל ציוד זה עם מרחק מינימלי של 35 ס"מ בין המקרן ובין גופך עבור תפעול של 2.4 GHz ו- 5 GHz. אין למקם או להפעיל משדר זה ביחד עם אנטנה או משדר אחרים. בעת הפעלה בטווח של 5.15 עד 5.25 GHz, התקן זה מוגבל לשימוש פנים כדי להפחית אפשרות להפרעה מזיקה למערכות לוויין נייד הפועלות בתדר ערוץ משותף.

### W-650

- EN 55022 Class B
- EN 55024
- IEC/EN 60950
- CE Marking
- cTUVus Marked
- CB Scheme Certified

### W-651

- FCC 15.247/15.407
- EU R&TTE Directive 1999/5/EC (EN 300 328, EN 301 893, EN 301 489)
- EU LV Directive 2006/95/EC
- IEC/EN 60950
- CE Marking
- cTUVus Marked
- CB Scheme Certified

לקבלת רשימה מלאה של תקינה ספציפית לארץ, נא לפנות לנציג של Dell.

## מידע NOM (מקסיקו בלבד)

המידע הבא מסופק על ההתקן שמתואר במסמך זה והתאימות לדרישות של התקנים הרשמיים של מקסיקו (NOM):

יבואן: Dell Inc. de Mexico, S.A. de C.V.  
Paseo de la Reforma 2620-11° Piso  
Col. Lomas Atlas  
Mexico, D.F 11950

מספרי דגם: 650/651

- מתח ספק כוח: 100-240 V AC
- תדירות 47-63 Hz
- צריכת זרם: 2.0 A

## דרך נאותה להשלכת ציוד Dell

למידע המעודכן ביותר על תאימות סביבתית גלובלית ומוצרי Dell, עיין במסמך *Dell PowerConnect W-Series Safety, Environmental, and Regulatory Information* שכלול עם מוצר זה או ראה את אתר האינטרנט שלנו בכתובת [www.dell.com](http://www.dell.com).

## RoHS של האיחוד האירופי

מוצרי Dell תואמים גם ל- EU Restriction of Hazardous Substances Directive (RoHS) 2002/95/EC. מגביל את השימוש בחומרים מסוכנים מסוימים בייצור של ציוד חשמלי ואלקטרוני. באופן ספציפי, חומרים מסוכנים במסגרת הנחיית RoHS הם עופרת (כולל הלחמה ומרכבי מעגלים מודפסים), קדמיום, כספית, כרום (VI) וברום. חלק ממוצרי Dell כפופים לרשימת הפטור במסגרת RoHS Directive Annex 7 (הלחמת עופרת המשמשת במרכבי מעגלים מודפסים). מוצרים ומאזנים יסומנו בתווית "RoHS" שמוצגת מימין המציינת התאמה להנחיה זו.